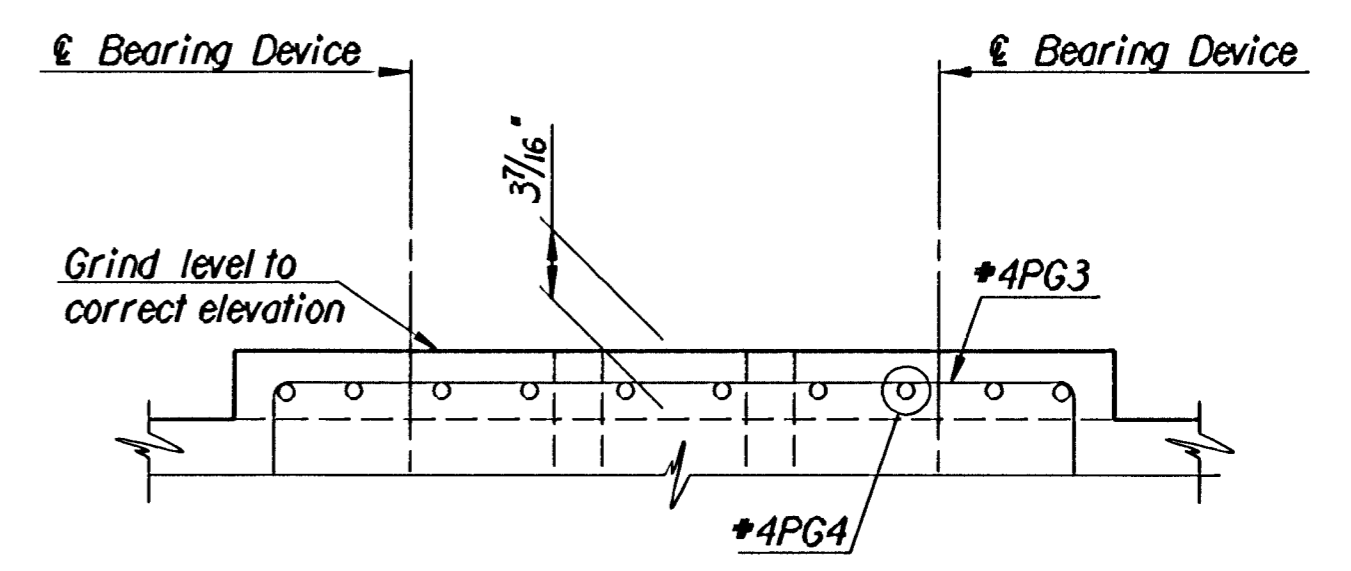
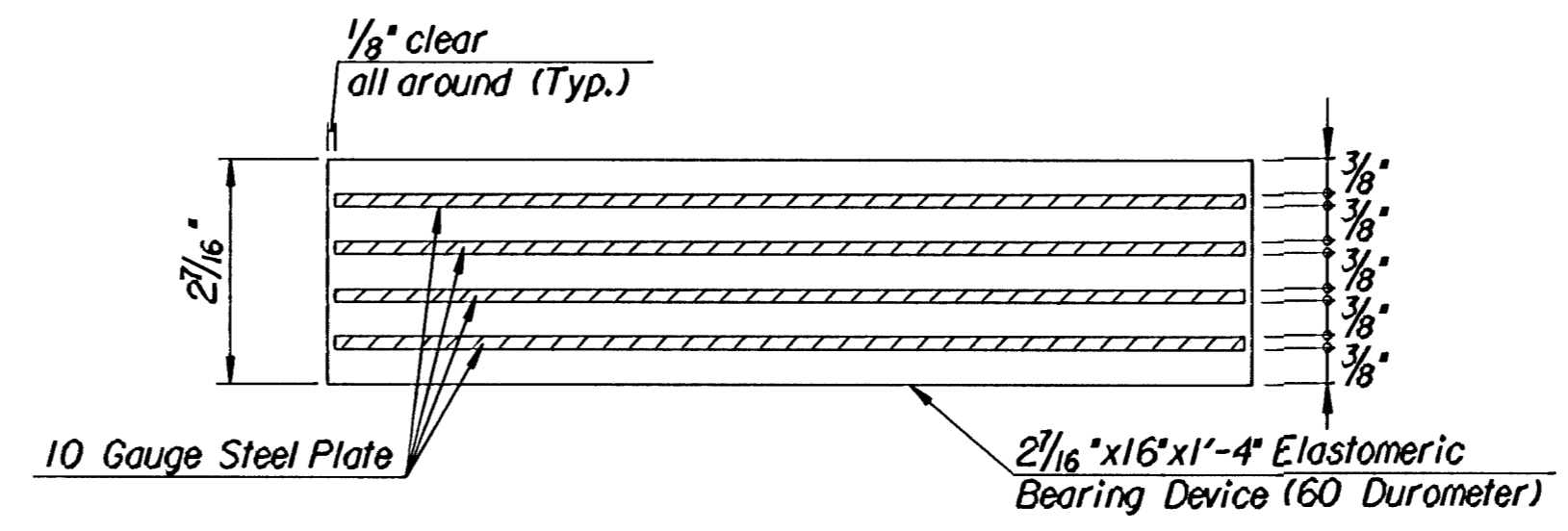
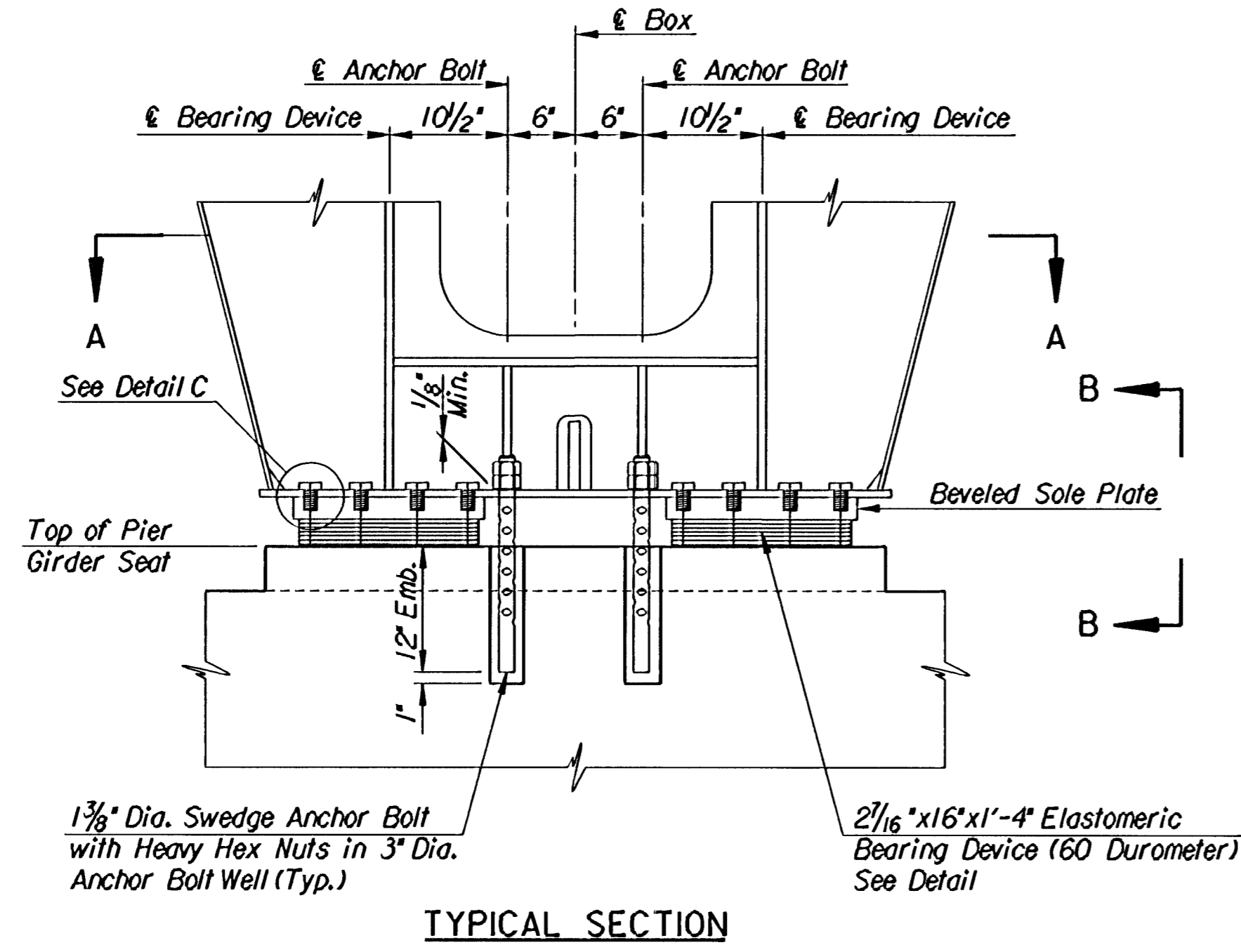


* Center of Sole Plate dimension

Dimension	Pier #2	Pier #3
A	2 1/16"	2 1/4"
B	2 7/16"	2"
% Grade	+0.93	-1.08

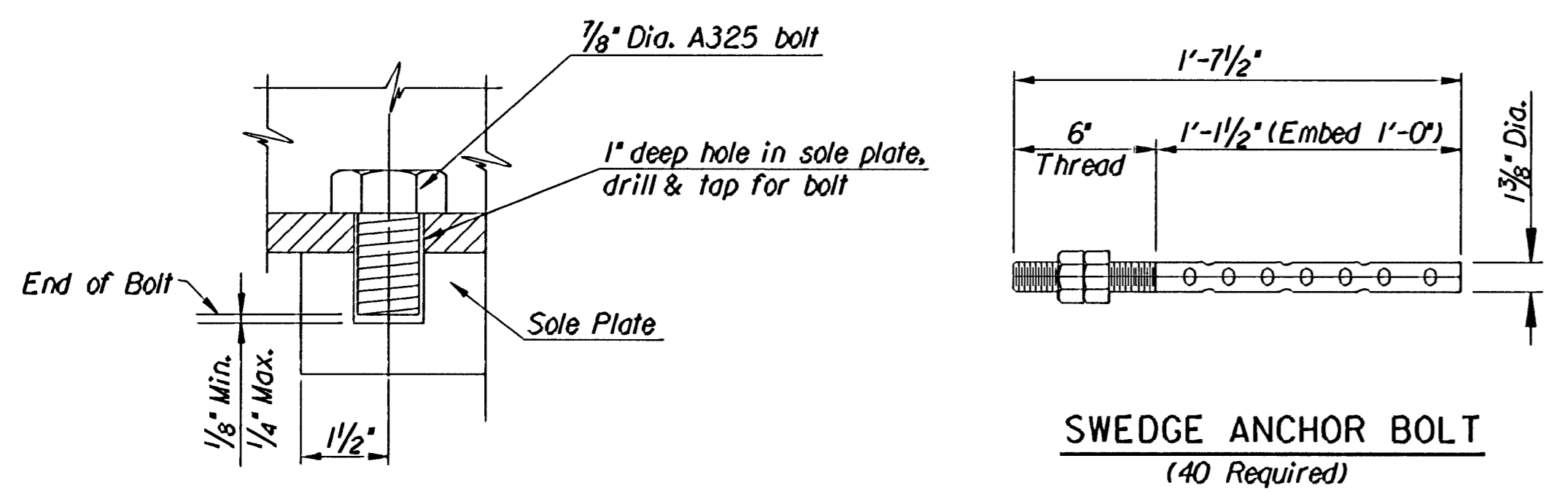


Place Pier Girder Seat shown on the corresponding Pier Details Sheet and Grind to Elevation shown on that Sheet.



ELASTOMERIC BEARING DEVICES:
(20 Required)

ELASTOMERIC BEARING DEVICES:
The Elastomeric Bearing Devices shall be bonded to the steel sole plates by a vulcanizing process after which the sole plates, except for threaded holes, shall receive a shop coat of Inorganic Zinc Primer. All exposed surfaces of the sole plates shall receive the Vinyl Finish Coat after the plates have been field bolted to the bottom of the box girder. The sole plate is to be included in the bid item "Elastomeric Bearing Devices" and furnished by the bearing device fabricator.



SWEDGE ANCHOR BOLT
(40 Required)

FORMED ANCHOR BOLT WELLS:
Place moisture seal in well during pier construction. Moisture seal shall consist of a styrofoam blockout sealed at the top with a silicone caulking after concrete has cured. The well moisture seals shall not be disturbed until anchor bolts are installed. Anchor bolt wells shall be kept dry until moisture seals have been installed.

No.	Revisions	By	Date

CITY OF WICHITA, KANSAS
MICHAEL E. LINDEBAK, P.E.-CITY ENGINEER
DOUGLAS AVENUE BRIDGE OVER ARKANSAS RIVER
AUXILIARY PIER DETAILS
ROADWAY
CITY OF WICHITA PROJECT NO. 472-82721
PROFESSIONAL ENGINEERING CONSULTANTS, P.A.
ENGINEERS
WICHITA, KANSAS

Designed by	P.D.F.	Checked by	R.A.S.
Drawn by	W.L.L.	Date	Sept. 1997
		Job No.	95088-4