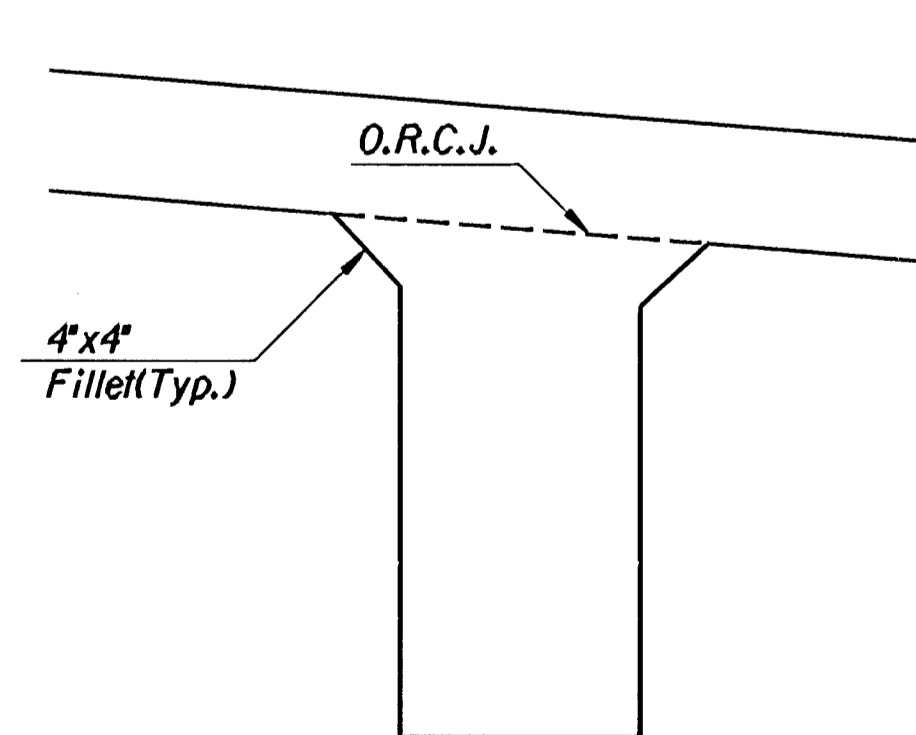


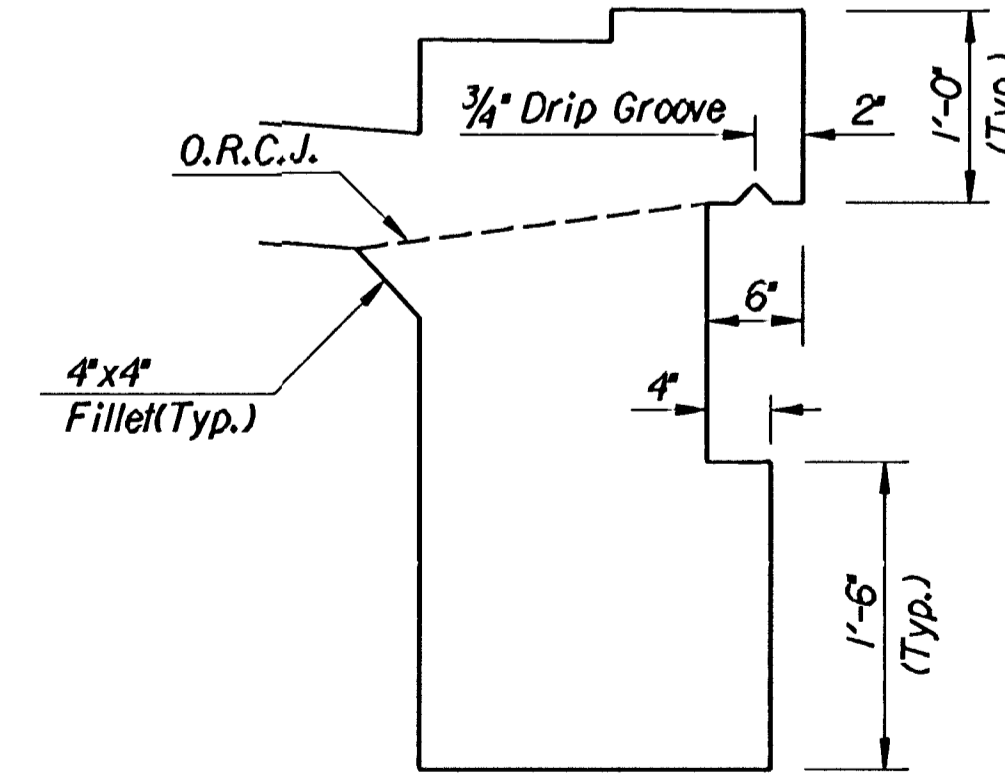
**SECTION**  
(Normal to Roadway)  
Looking Upstation

Note:  
Southwestern Bell Telephone Company will provide concrete inserts for installation by the Contractor. These inserts are to be spaced at 10' centers. Southwestern Bell Telephone Company will be responsible for installing the remaining hardware and the actual utility installation.

\* Final electrical conduit location to be located as per code and coordinated with the Engineer.  
(See Electrical Plans for additional information.)



**DETAIL A**



**DETAIL B**

No.	Revisions	By	Date
CITY OF WICHITA, KANSAS MICHAEL E. LINDEBAK, P.E.-CITY ENGINEER DOUGLAS AVENUE BRIDGE OVER ARKANSAS RIVER <b>TYPICAL SECTION-BRIDGE</b> CITY OF WICHITA PROJECT NO. 472-82721 <b>PROFESSIONAL ENGINEERING CONSULTANTS, P.A.</b> ENGINEERS WICHITA, KANSAS			
Designed by	R.W.A./P.D.F.	Checked by	R.A.S.
Drawn by	W.L.L.	Date	Sept. 1997 Job No. 95088-4