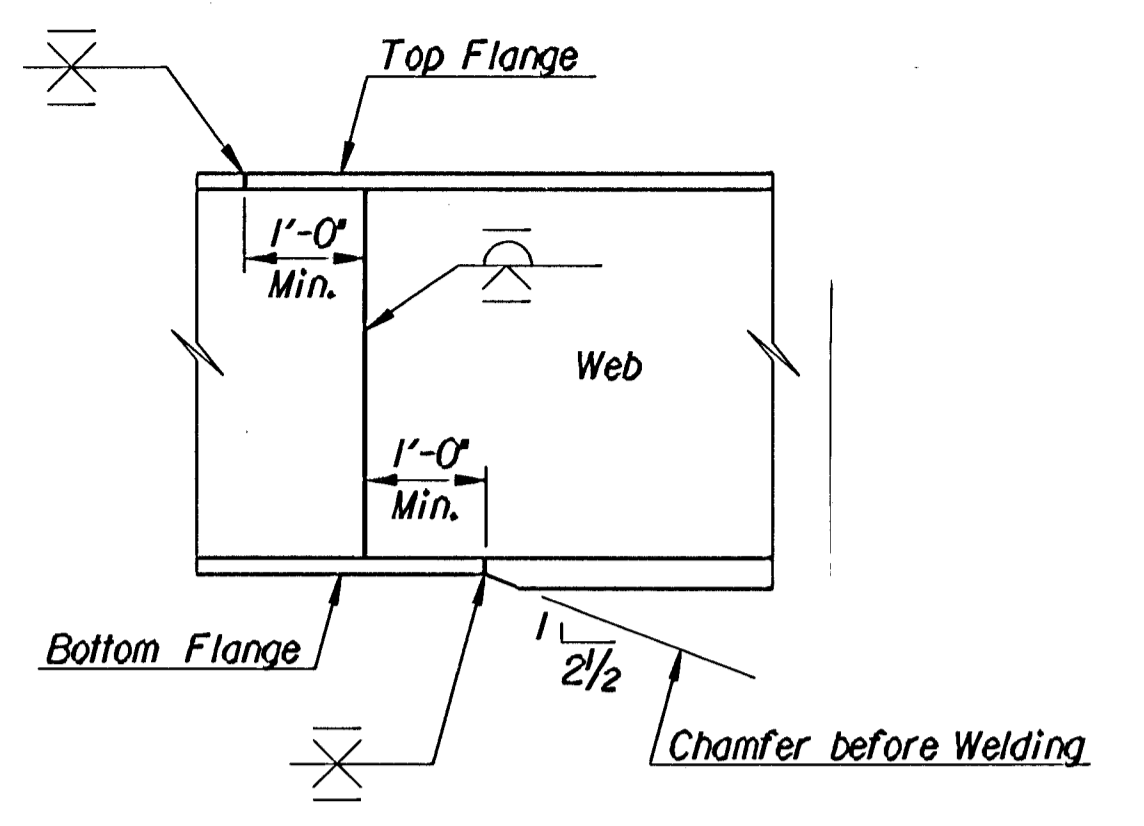
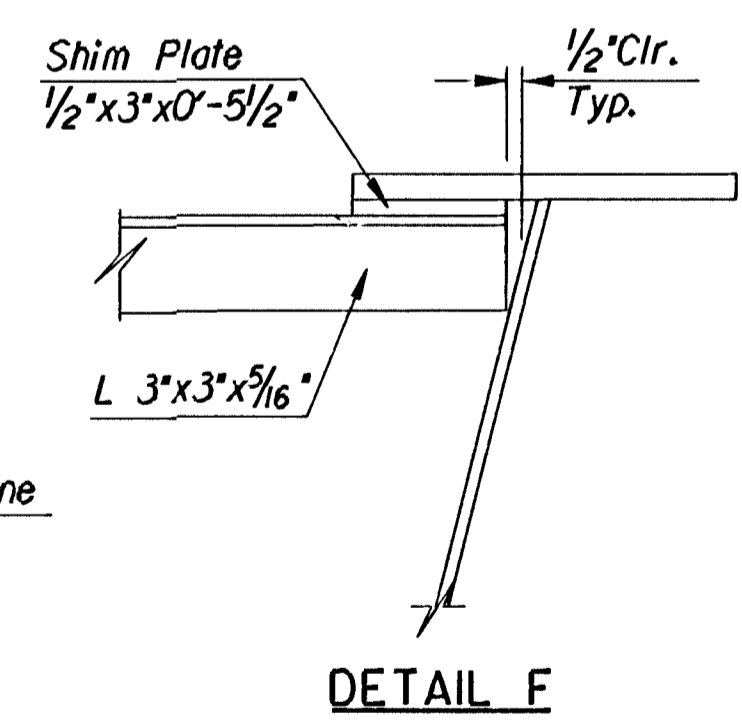
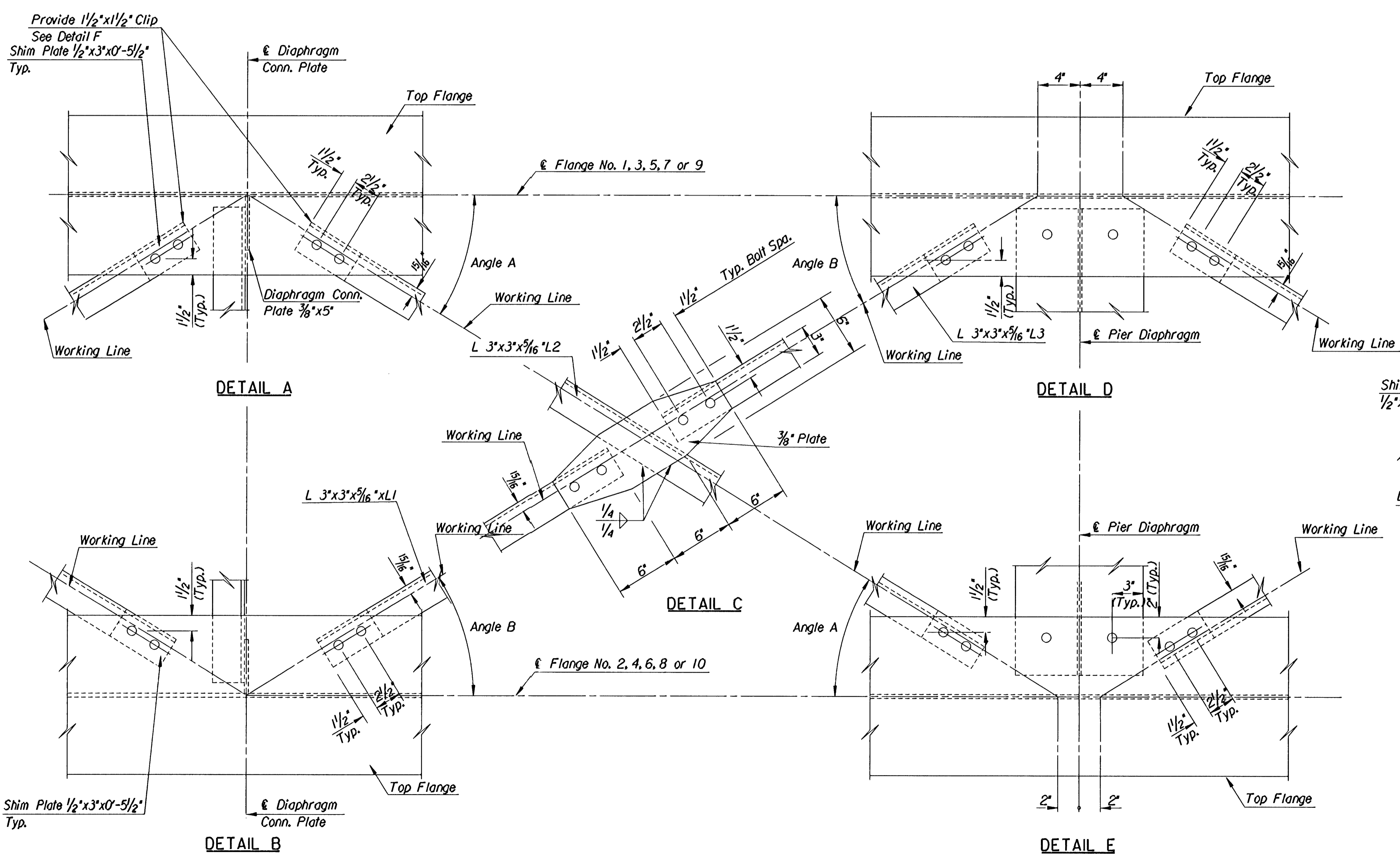


WELDED GIRDER FIELD SPLICE



WELDED GIRDER SHOP SPLICE



Location	Angle A	Angle B	L1	L2	L3
1	31°21'26"	31°21'26"	5'-2 3/8"	11'-2 3/8"	5'-5 1/8"
2	34°51'16"	34°51'16"	4'-9 1/8"	10'-3 1/2"	4'-11 1/8"
3	35°50'16"	35°20'24"	4'-8 3/8"	10'-2 1/8"	4'-9 1/8"
4	32°54'54"	32°29'11"	5'-0 1/8"	10'-10 1/8"	5'-1 1/8"
5	32°04'03"	32°04'03"	5'-1 1/8"	11'-0 1/8"	5'-3 1/8"
6	31°09'33"	31°09'33"	5'-3"	11'-3 1/8"	5'-5 1/8"
7	31°57'51"	31°33'26"	5'-2 3/8"	11'-2 1/8"	5'-3 1/2"

Refer to the Framing Plan for Typical locations.

No.		Revisions		By		Date	
CITY OF WICHITA, KANSAS MICHAEL E. LINDEBAK, P.E.-CITY ENGINEER DOUGLAS AVENUE BRIDGE OVER ARKANSAS RIVER MISCELLANEOUS STRUCTURAL STEEL DETAILS CITY OF WICHITA PROJECT NO. 472-82721 PROFESSIONAL ENGINEERING CONSULTANTS, P.A. ENGINEERS WICHITA, KANSAS							
Designed by	P.D.F.	Checked by	R.A.S.				
Drawn by	J.G.P.	Date	Sept, 1997	Job No.	95088-4		

1./1995/95088/douglas/diaphragm.dgn
 Drawn by: jgp
 Plotted by: rcs 8-26-97