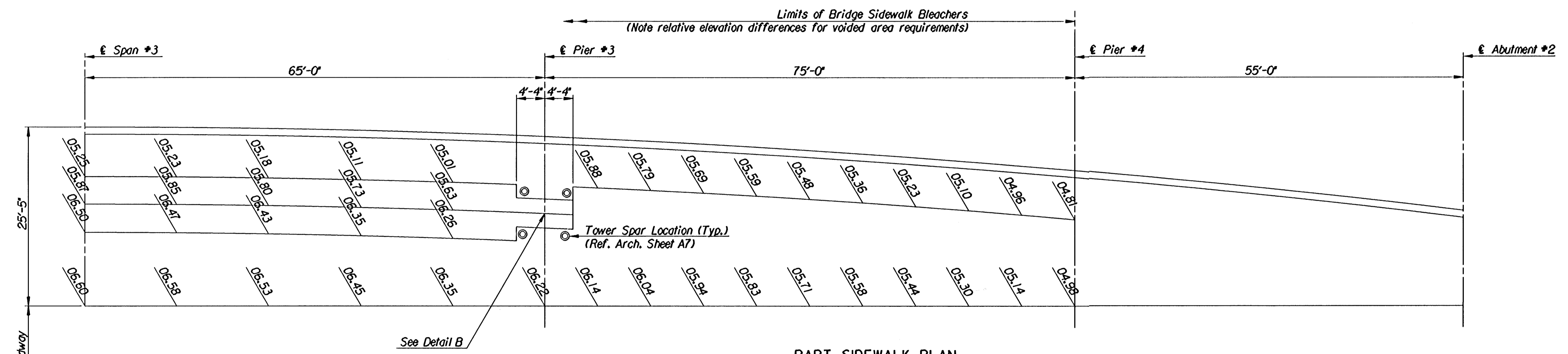
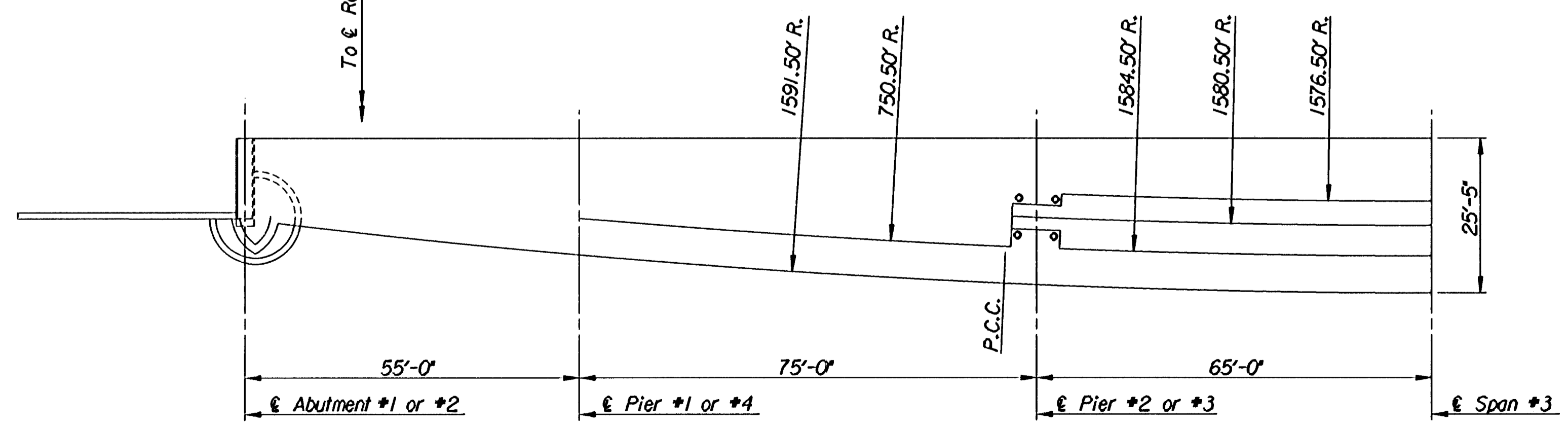


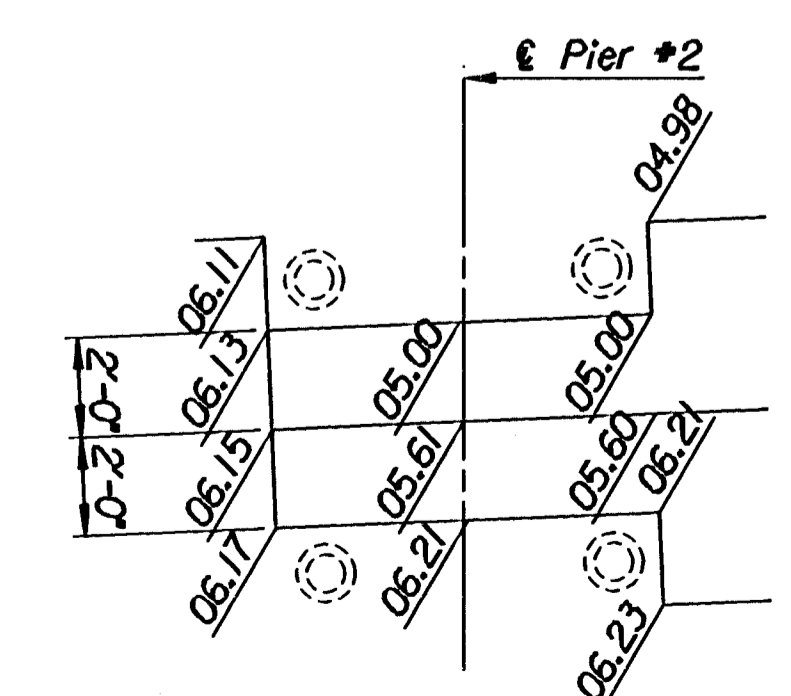
PART SIDEWALK PLAN



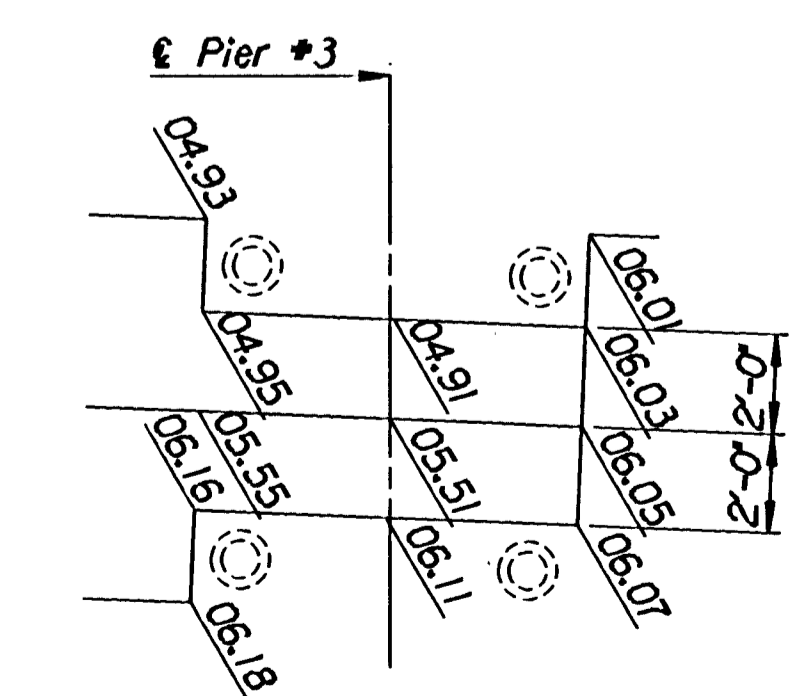
PART SIDEWALK PLAN



SIDEWALK PLAN OF RADII



DETAIL A



DETAIL B

Note:
Elevations are at the Top of the Sidewalk Steps.
Elevations are symmetrical about ϵ Roadway.

No.	Revisions	By	Date

CITY OF WICHITA, KANSAS
MICHAEL E. LINDEBAK, P.E.-CITY ENGINEER
DOUGLAS AVENUE BRIDGE
OVER ARKANSAS RIVER
SIDEWALK LAYOUT
CITY OF WICHITA PROJECT NO. 472-82721
PROFESSIONAL ENGINEERING CONSULTANTS, P.A.
ENGINEERS
WICHITA, KANSAS

Designed by	P.D.F.	Checked by	R.A.S.
Drawn by	J.G.P./W.L.L.	Date	Sept. 1997
Job No.	95088-4		

File: i:/1995/95088/douglas/wkplan.dgn
drawn by : jgp/wll
plotted by : ras 3-14-98