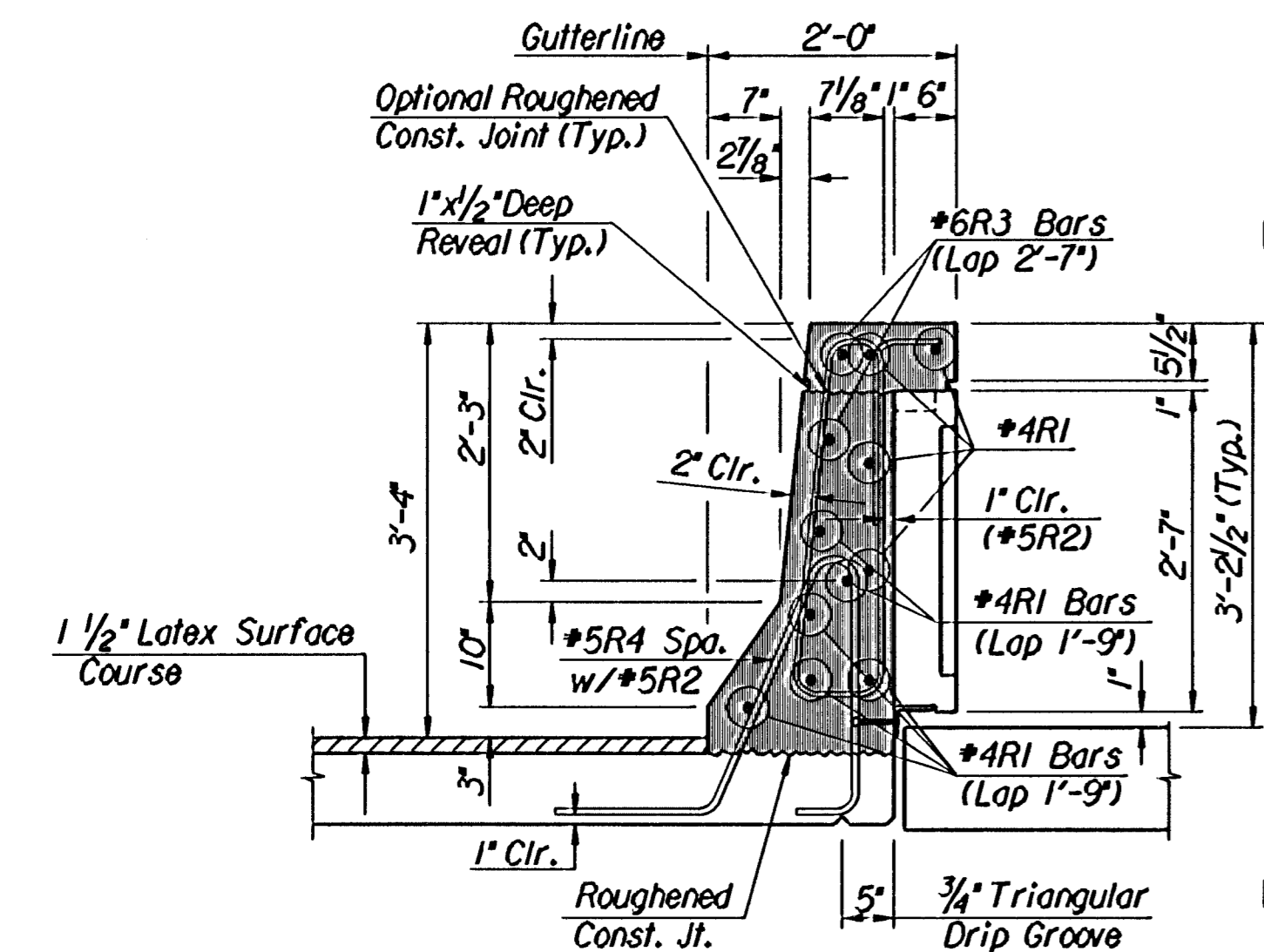
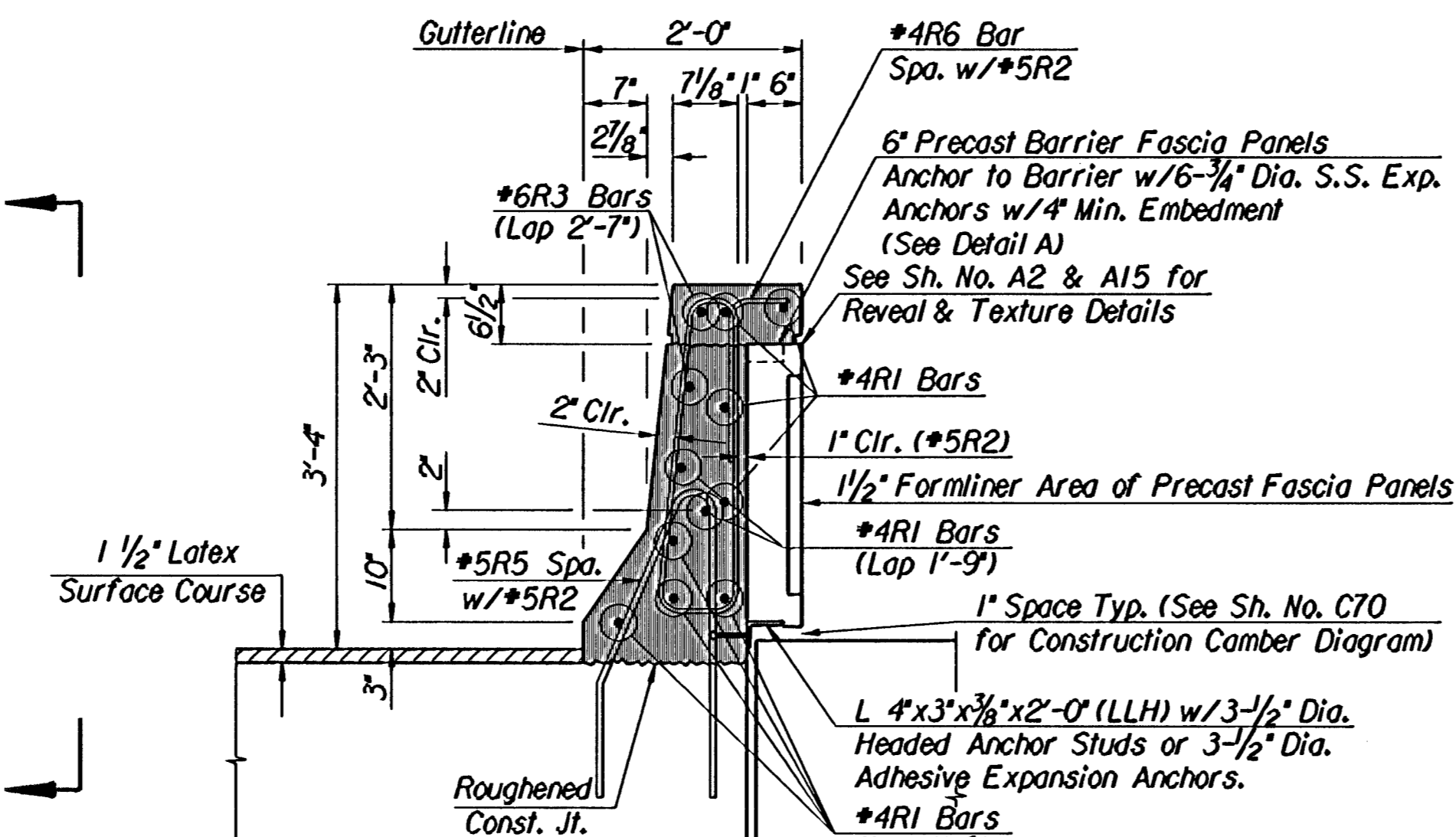


**ELEVATION OF CONCRETE SAFETY BARRIER**

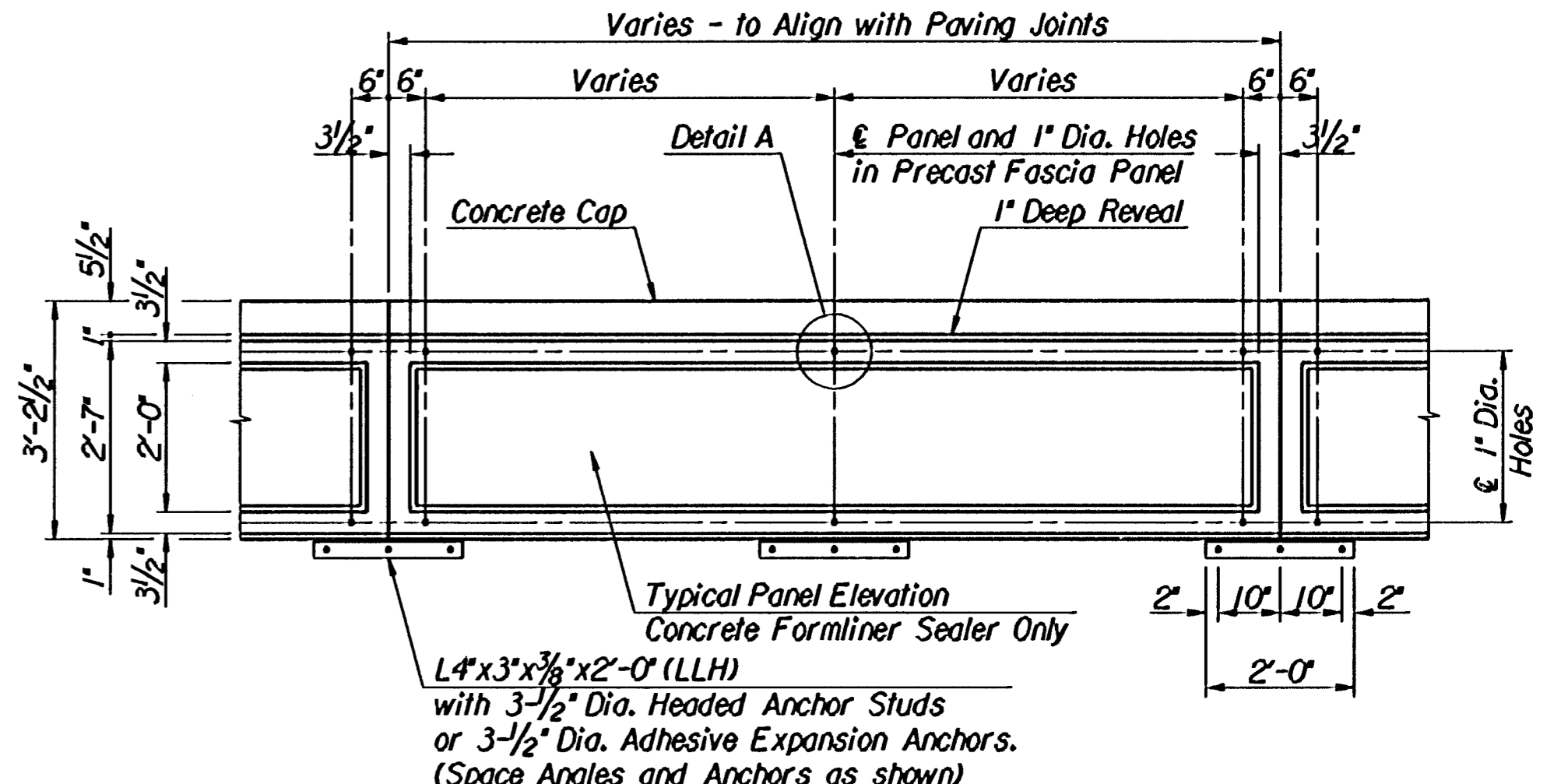
NOTE: All dimensions are measured along gutterline. Precast Barrier Fascia Panels not shown.



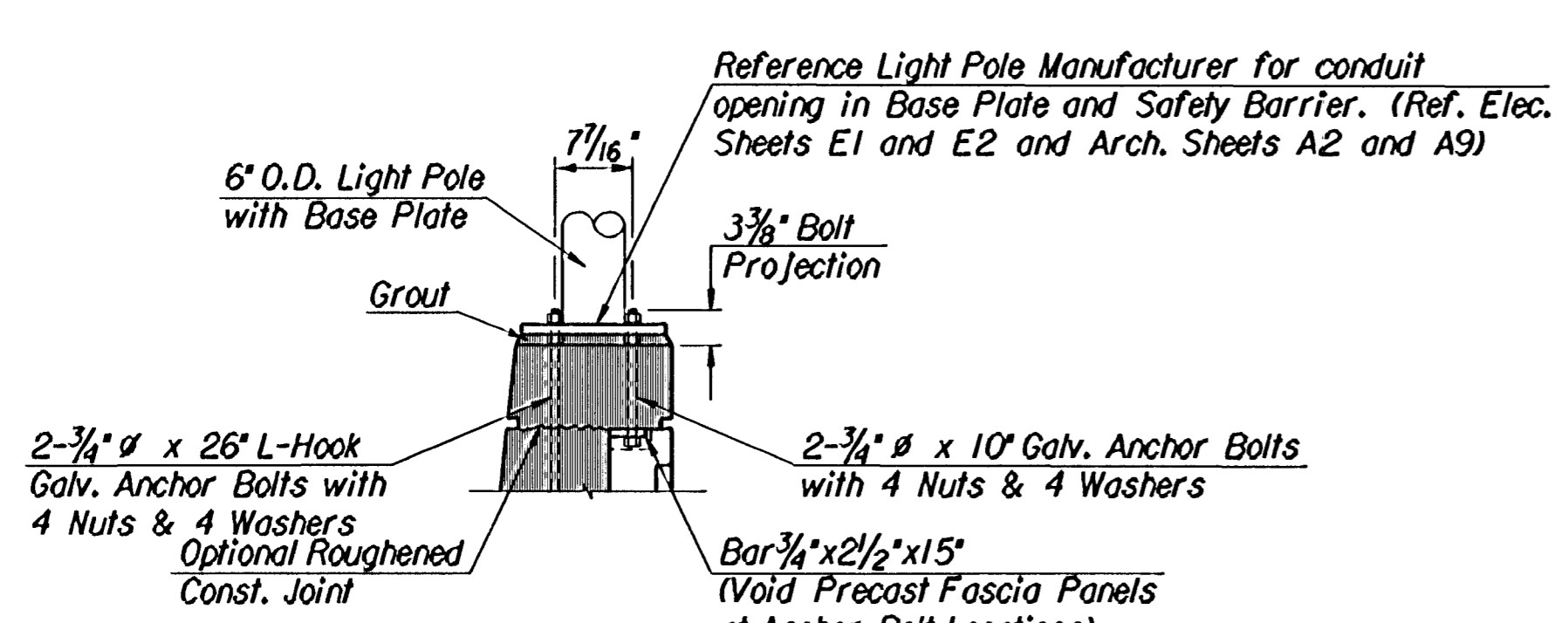
**SECTION A-A THRU BARRIER**



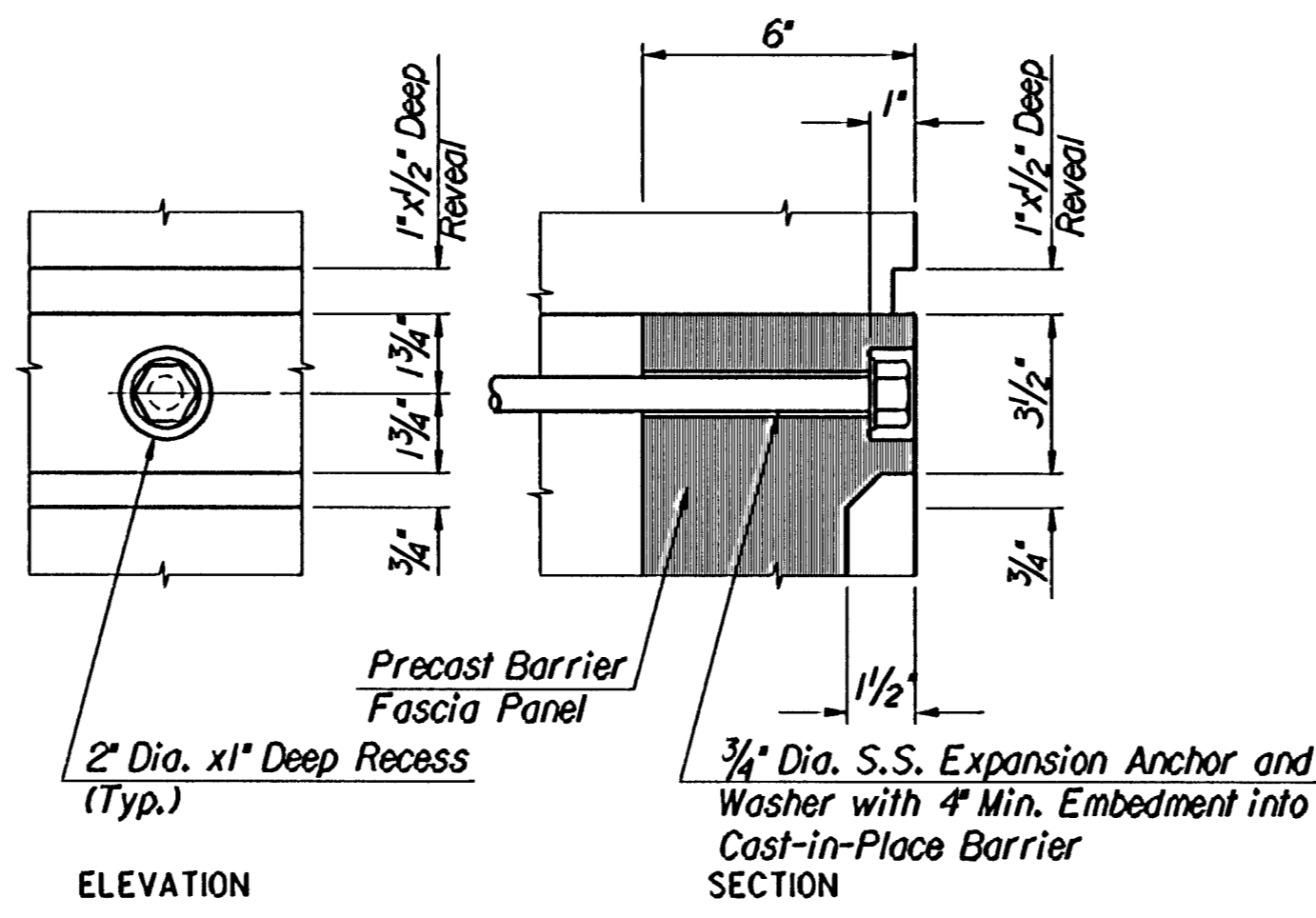
**SECTION B-B**



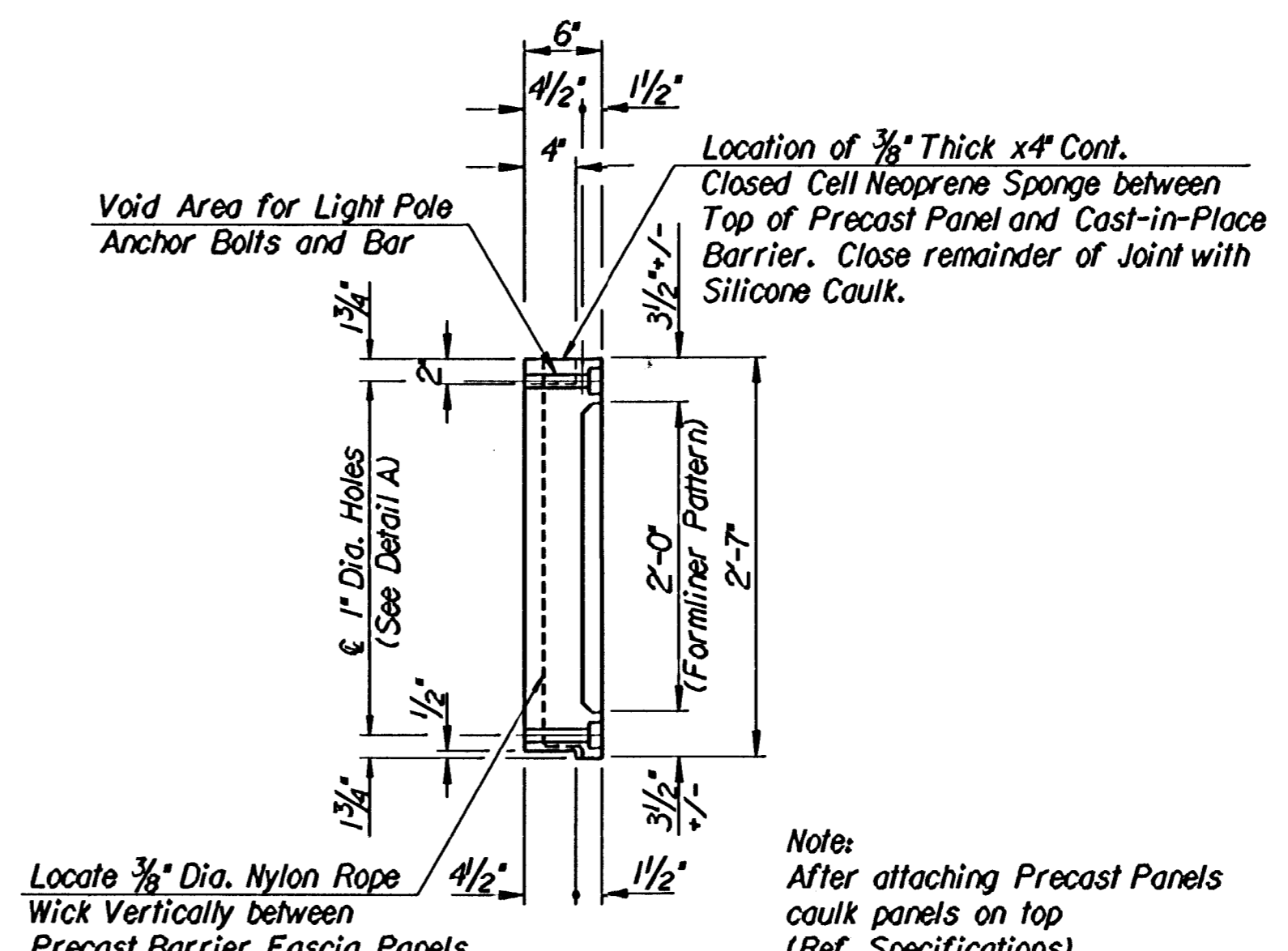
**VIEW D-D TYPICAL PRECAST BARRIER FASCIA PANEL**



**SECTION C-C AT LIGHT POLE BASE**



**DETAIL A**



**TYPICAL PRECAST BARRIER FASCIA PANEL - SECTION**

- Note:
1. Submit Shop Drawings for Precast Barrier Fascia Panels for Engineer's approval.
  2. Indicate on Shop Drawings the following:
    - a. Reinforcing and Reinforcing Calculations.
    - b. Panel dimensions, Anchorage Hole Locations and Blockouts.
    - c. Indicate all Joint Treatments.
  3. Stainless Steel Anchors shall conform to ASTM A276.
  4. Concrete Testing by Precast Supplier.
  5. Record of certified testing to be provided to the Engineer.

No.	Revisions	By	Date
CITY OF WICHITA, KANSAS MICHAEL E. LINDEBAK, P.E. - CITY ENGINEER DOUGLAS AVENUE BRIDGE OVER ARKANSAS RIVER <b>CONCRETE SAFETY BARRIER</b> CITY OF WICHITA PROJECT NO. 412-82721 <b>PROFESSIONAL ENGINEERING CONSULTANTS, P.A.</b> ENGINEERS WICHITA, KANSAS			
Designed by	R.W.A.	Checked by	R.A.S.
Drawn by	W.L.L.	Date	Sept. 1997
		Job No.	95088-4

1/1995/95088/douglas/barrier2  
 Drawn by: will  
 Plotted by: will 1-19-98