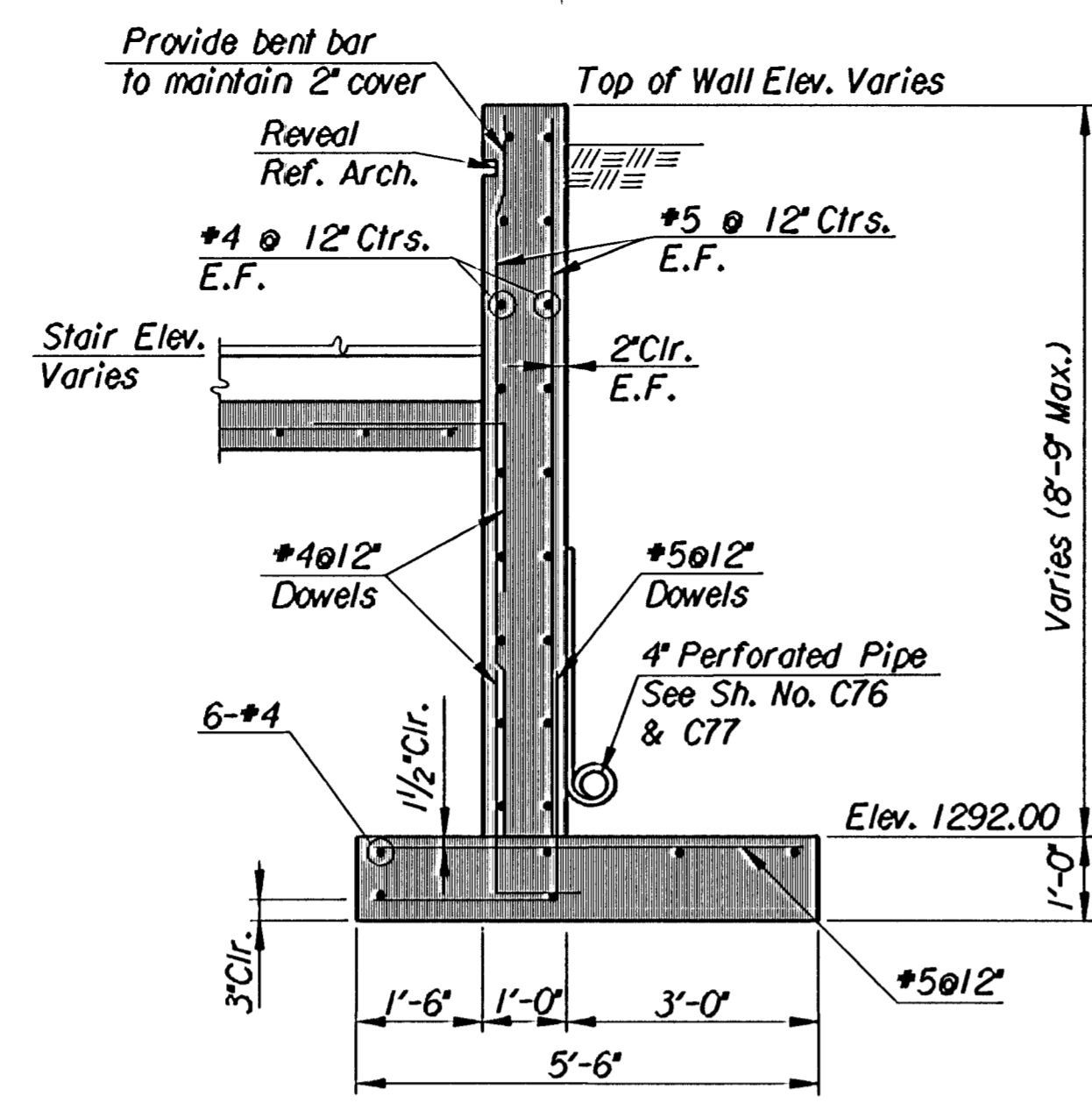
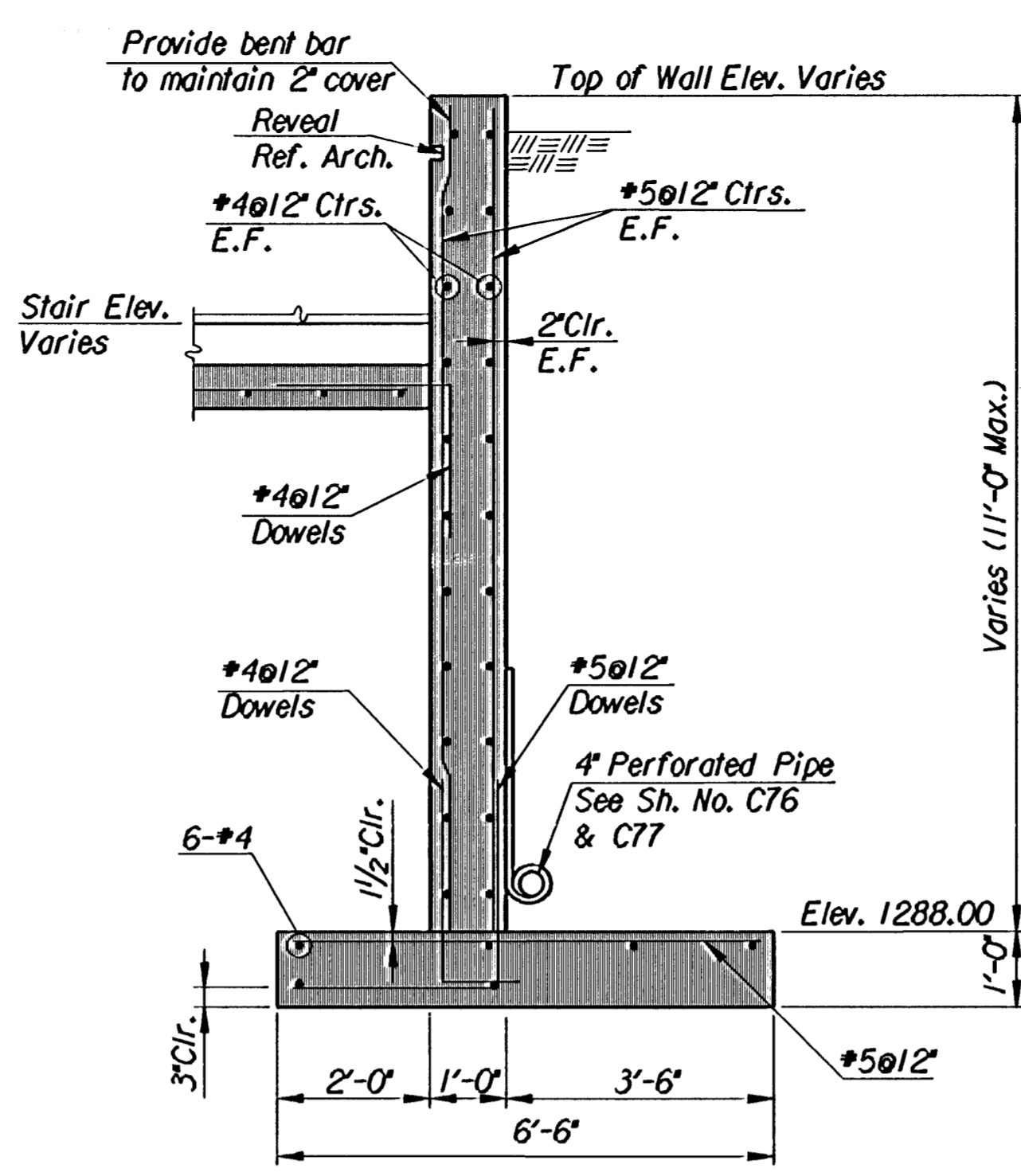


SECTION A-A

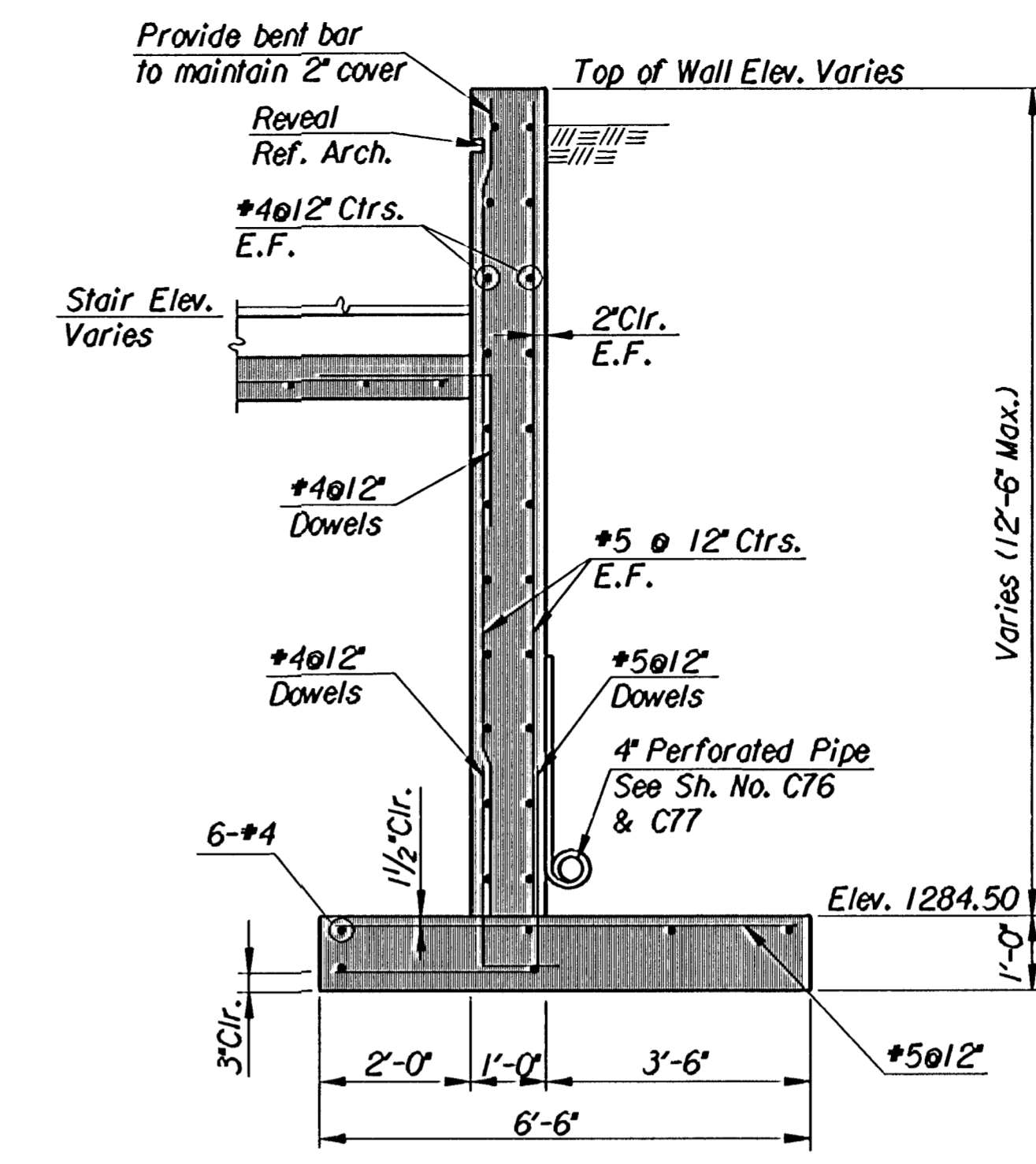


SECTION B-B

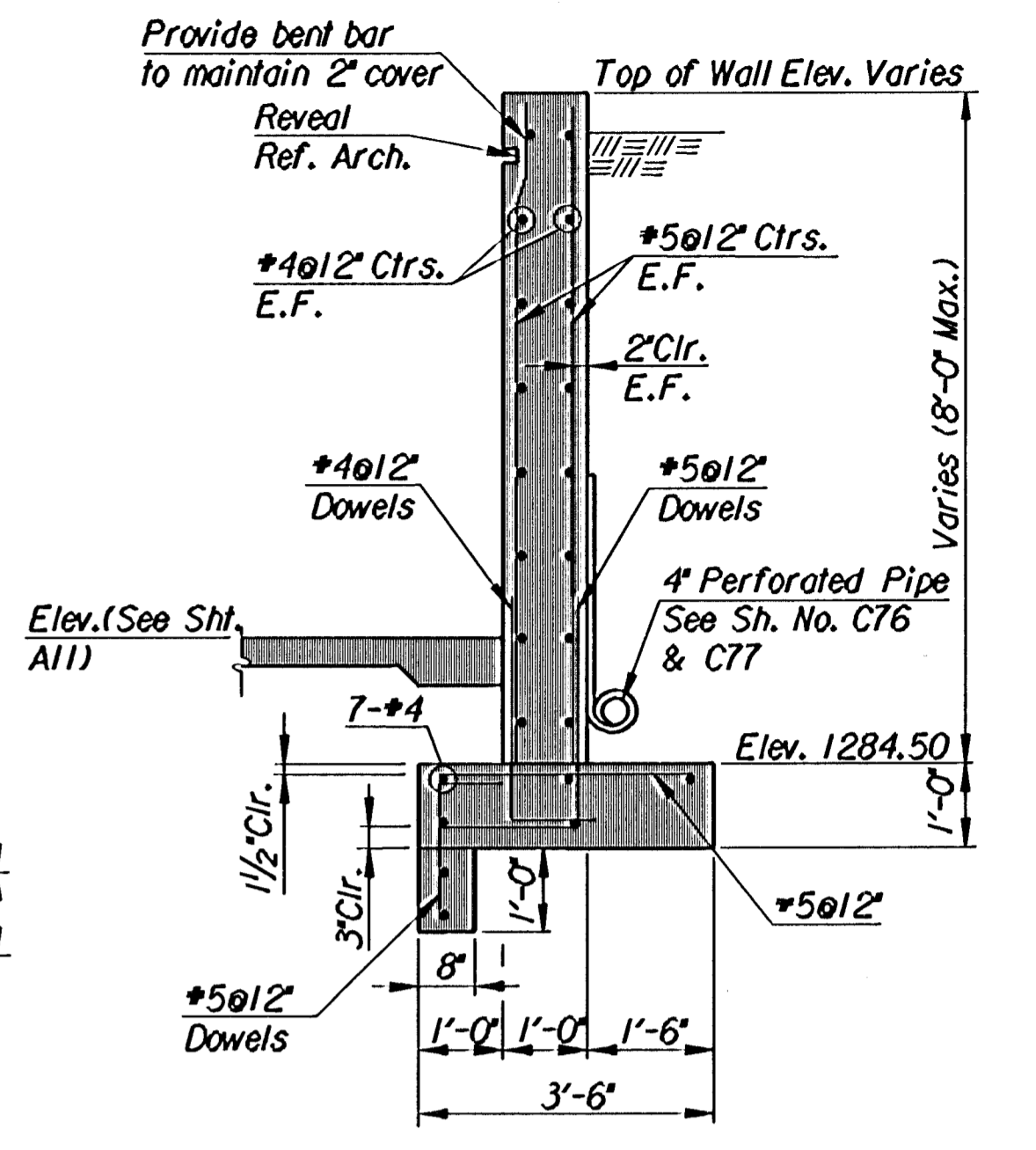
Note:
See Arch. Sheet A16 Detail 5
for Concrete Reveal and Sheet A10
for Guardrail.



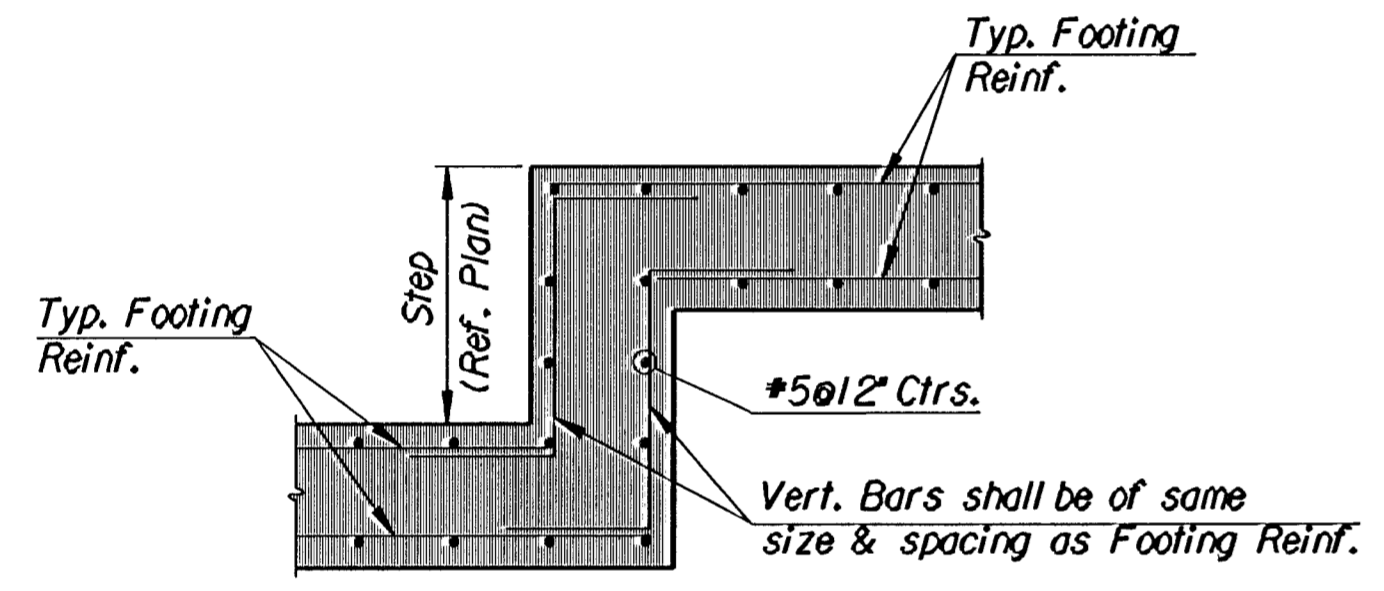
SECTION C-C



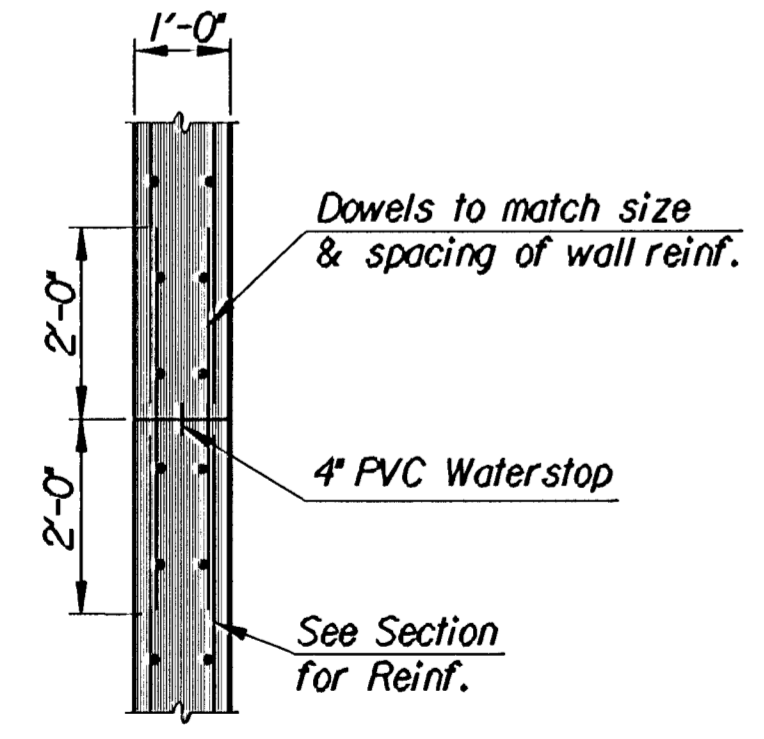
SECTION D-D



SECTION E-E

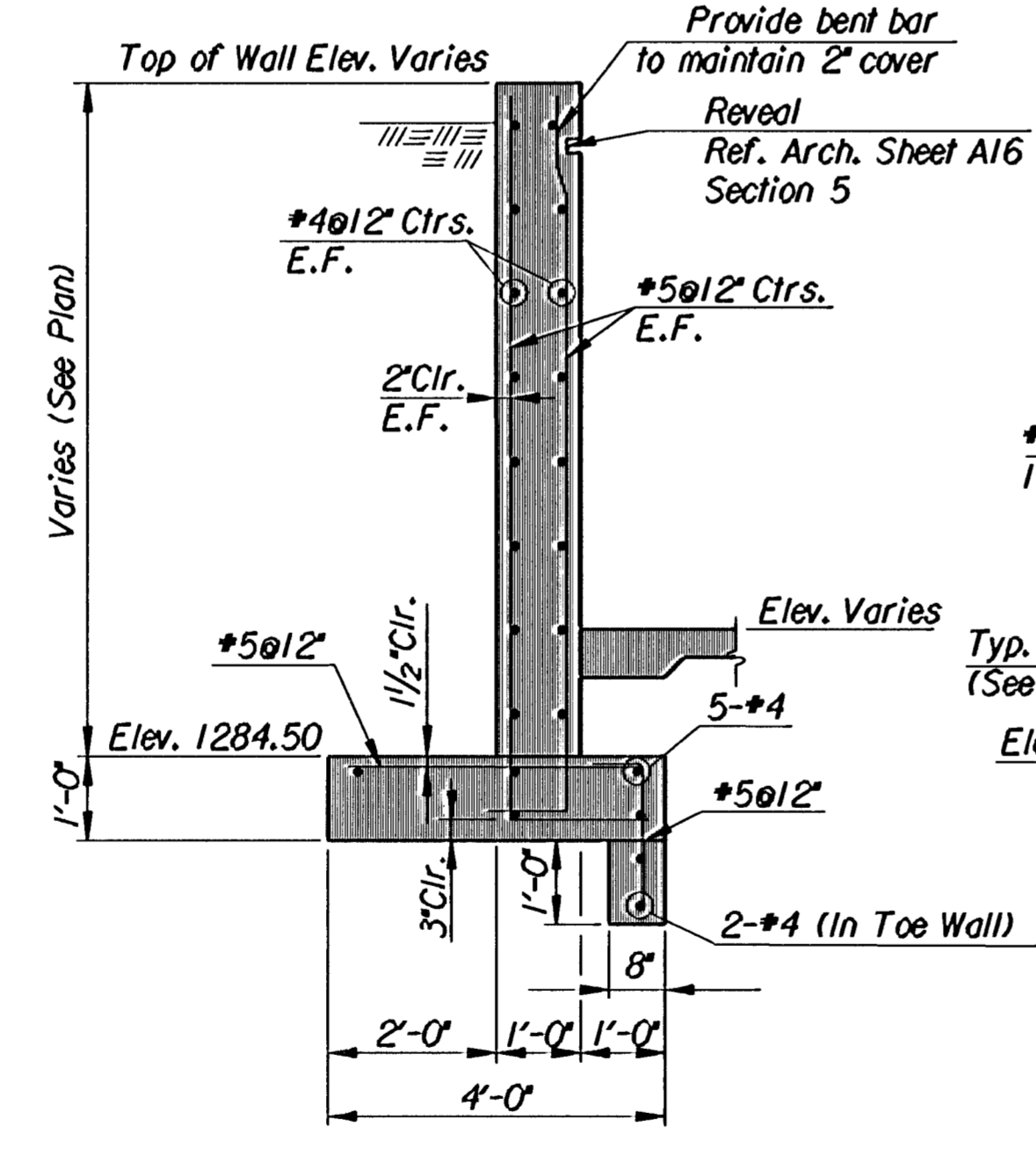


TYPICAL FOOTING STEP DETAIL

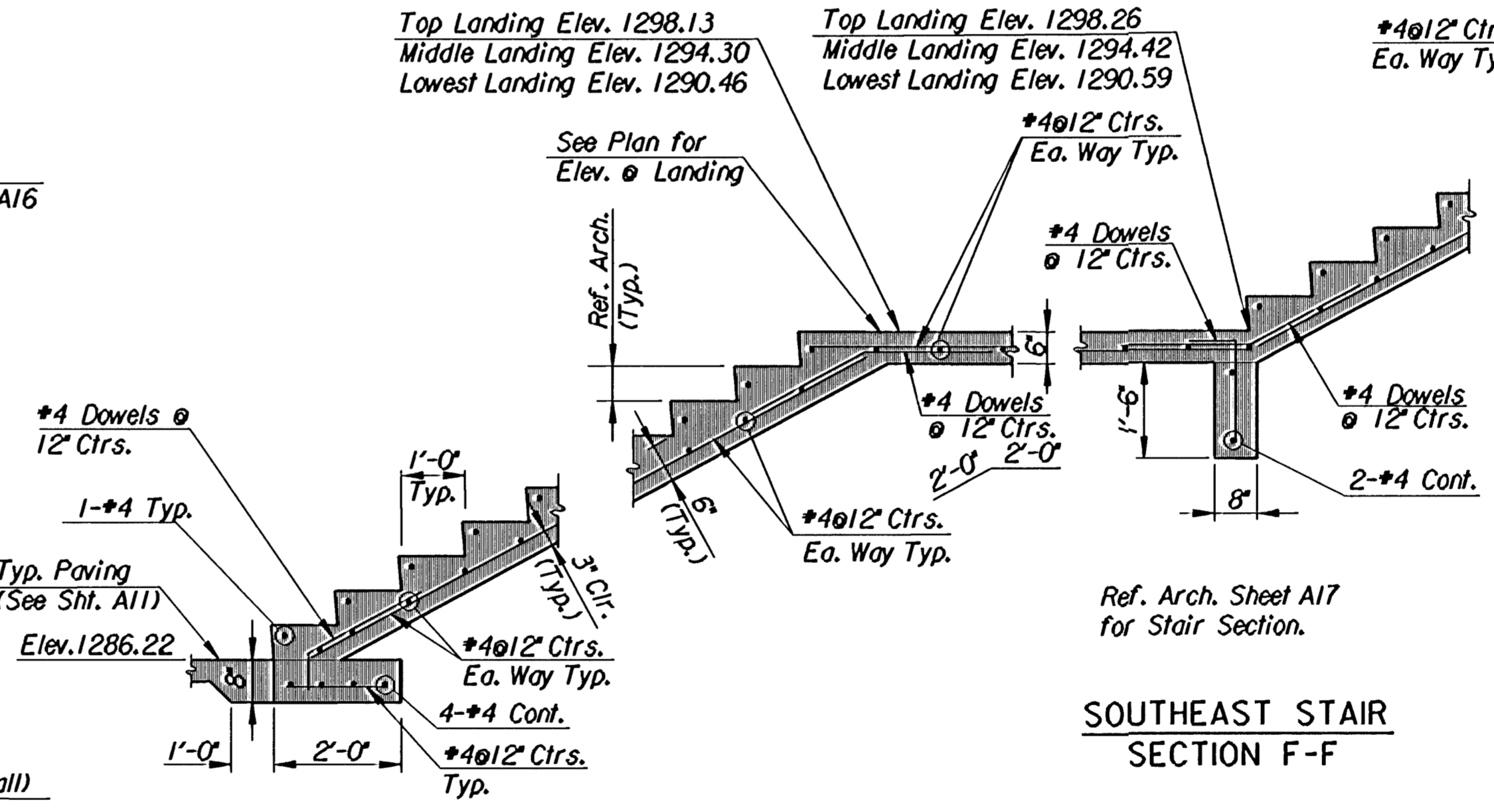


TYPICAL WALL/SLAB
CONSTRUCTION JOINT

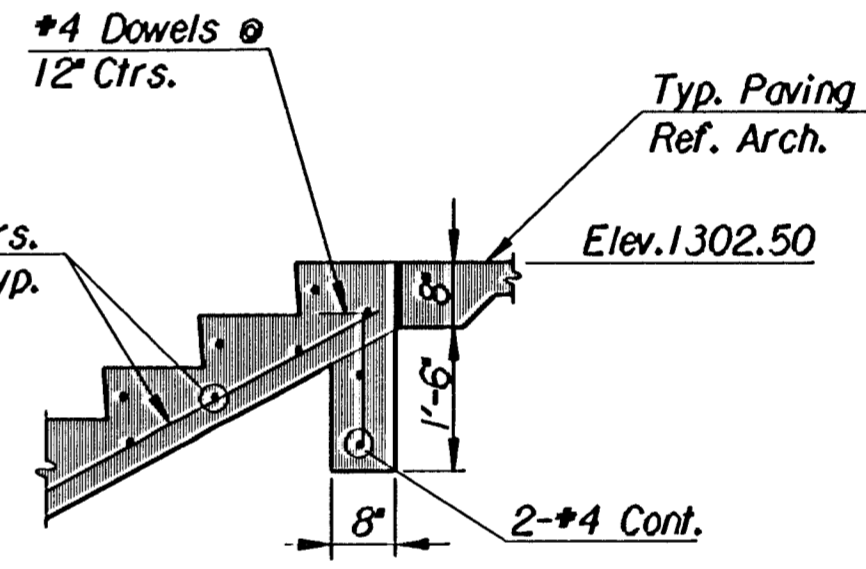
NOTE: PROPOSED
JOINT LOCATIONS TO BE
SUBMITTED FOR APPROVAL



SECTION G-G AT
ABUTMENT #1



SOUTHEAST STAIR
SECTION F-F



TYPICAL CORNER AND
INTERSECTION REINFORCING

Note:
Corner Bars shall match size and spacing of horizontal
reinforcement in walls. If intersecting bars are of
different size, the larger bar shall govern. If
intersecting bars have different spacing, the closer
spacing shall govern.

No.	Revisions	By	Date

CITY OF WICHITA, KANSAS
MICHAEL E. LINDEBAK, P.E.-CITY ENGINEER
DOUGLAS AVENUE BRIDGE
OVER ARKANSAS RIVER
WALL & STAIR SECTIONS
& DETAILS
CITY OF WICHITA PROJECT NO. 472-82721
PROFESSIONAL ENGINEERING CONSULTANTS, P.A.
ENGINEERS
WICHITA, KANSAS

Designed by	R.W.A.	Checked by	R.A.S.
Drawn by	W.L.L.	Dot	Sept. 1997
		Job No.	95088-4

Drawing Name : 1995/95088/stairs/stair.sse.dgn
Plotted By : wll 11-11-97