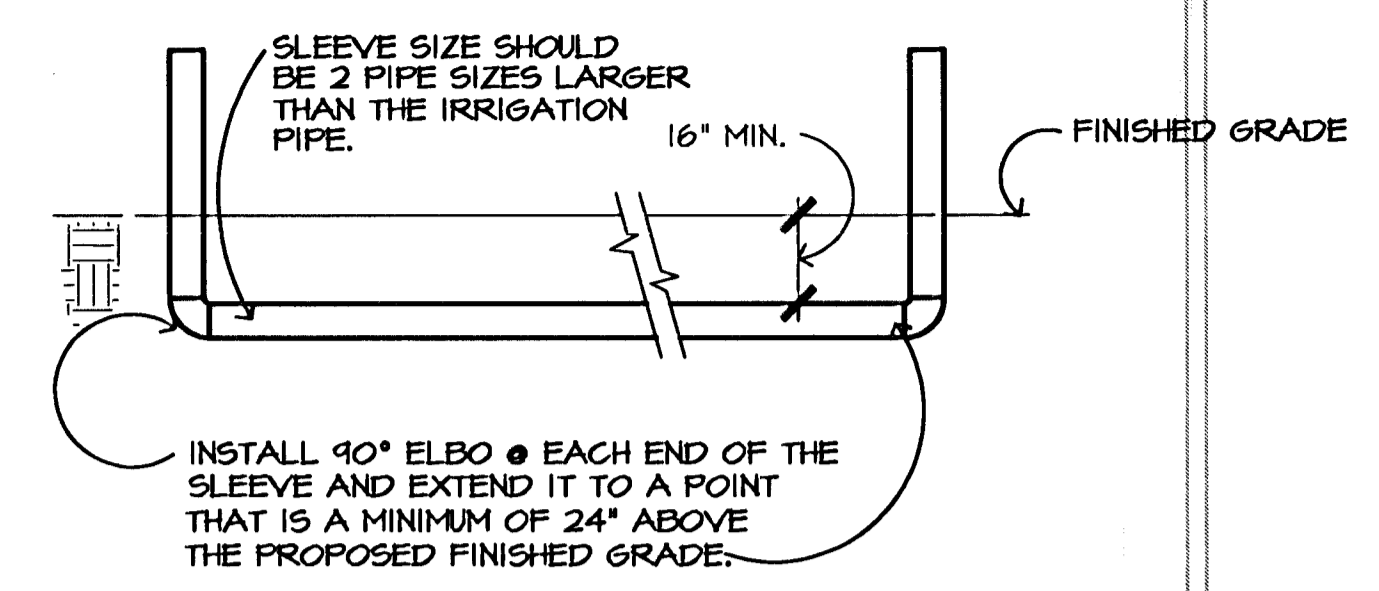
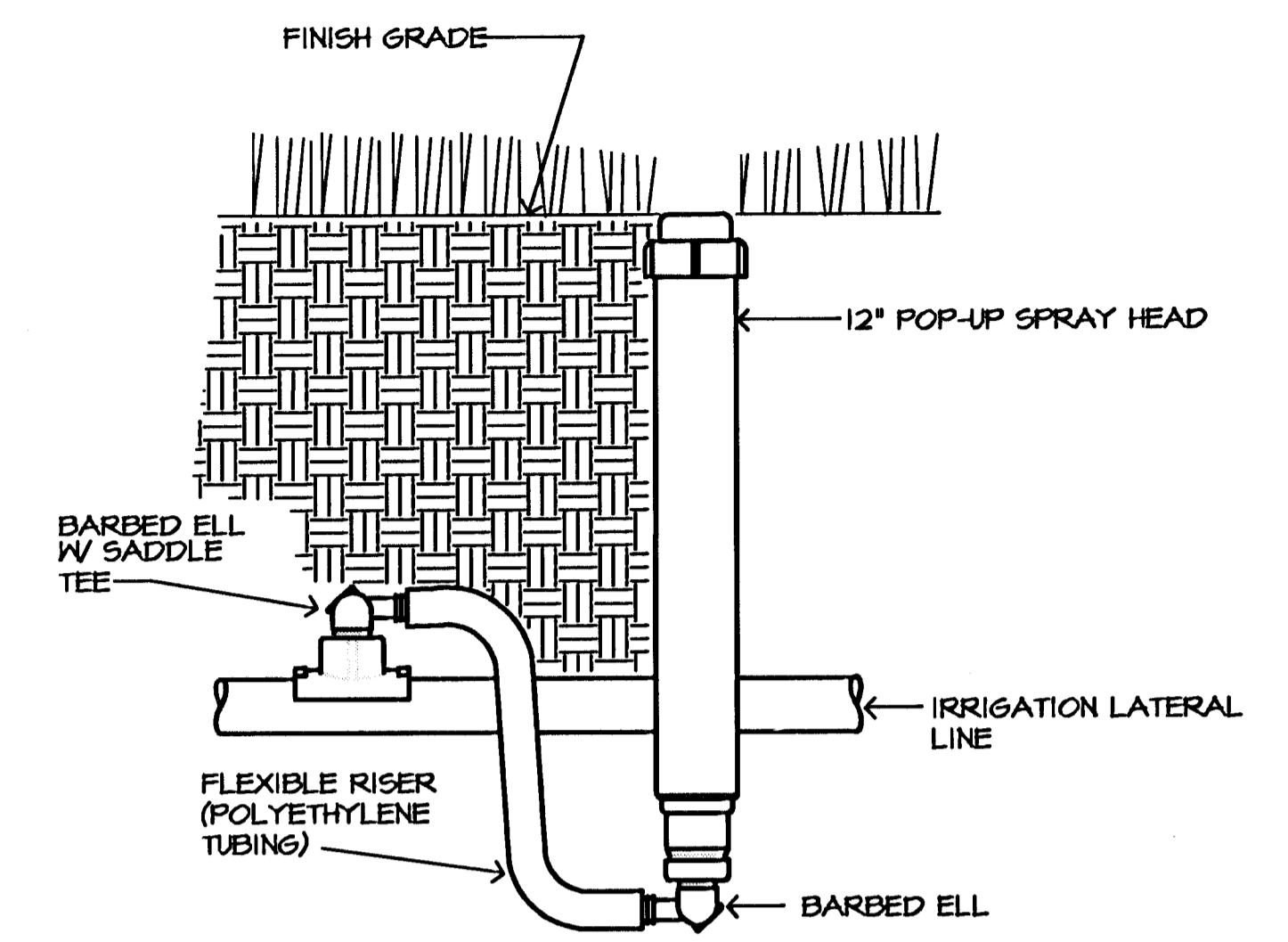


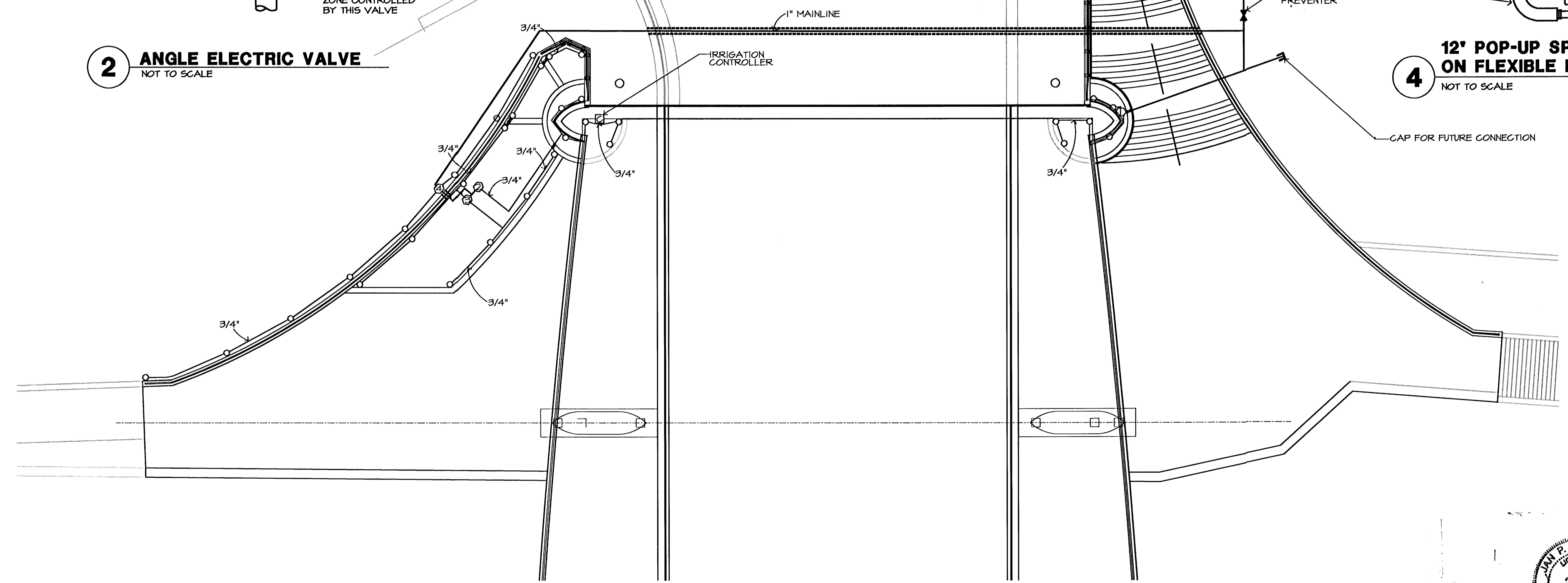
2 ANGLE ELECTRIC VALVE
NOT TO SCALE



3 IRRIGATION SLEEVE UNDER PAVED AREAS
NOT TO SCALE



4 12" POP-UP SPRAY HEAD ON FLEXIBLE RISER
NOT TO SCALE



1 EAST PLANTING AREA IRRIGATION LAYOUT

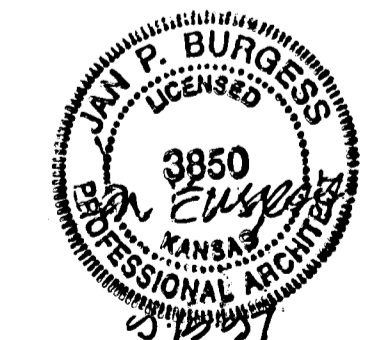
0' 5' 10' 1"=10'-0"

LEGEND

- [M] 1" METER
- (1) RAINBIRD 100-PEB W/FLOW CONTROL VALVE SEE DETAIL 2 A13
- [B] BACKFLOW PREVENTER W/COVER SEE DETAIL 2 A14
- 1" MAINLINE
- LATERALS
- (O) RAINBIRD 1812 PRS-SAM SEE DETAIL 4 A13
- ==== SLEEVES SEE DETAIL 3 A13
- [C] CONTROLLER

NOTES

1. CONTROLLER TO BE PLACED BEHIND PLANTER WALL, MOUNTED TO ABUTMENT WALL. THE CONTROLLER SHALL BE OUT OF DIRECT VIEW AT RIVER WALK LEVEL. PROVIDE ELECTRICAL POWER TO CONTROLLER AS REQUIRED FOR OPERATION.
2. VALVES, HEADS, METER, ETC. TO BE PLACED PER SPECIFICATIONS.
3. SLEEVES IN WALLS, UNDER STAIRS, AND UNDER CONG. SLABS SHALL BE PLACED PRIOR TO PLACING CONCRETE.



<p>Gosson Livingston Architecture 425 South Capitol Wichita, KS 67202 Tel (316) 265-1367 Fax (316) 265-5448</p>	<p>CITY OF WICHITA, KANSAS MICHAEL E. LINDEBAK, P.E.—CITY ENGINEER DOUGLAS AVENUE BRIDGE OVER ARKANSAS RIVER IRRIGATION LAYOUT — EAST CITY OF WICHITA PROJECT NO. 472-82721</p>	
	<p>PROFESSIONAL ENGINEERING CONSULTANTS, P.A. ENGINEERS WICHITA, KANSAS</p>	
<p>Designed by TDM/SMH Checked by JPB Date 9/12/97</p>	<p>Drawn by SMH</p>	<p>Job No. 95088-4</p>

F:\900\020\DWG\A13