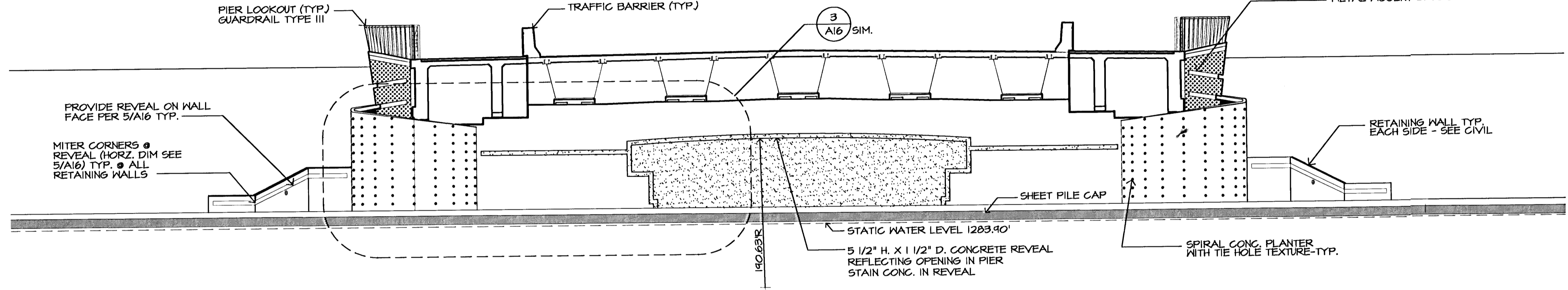
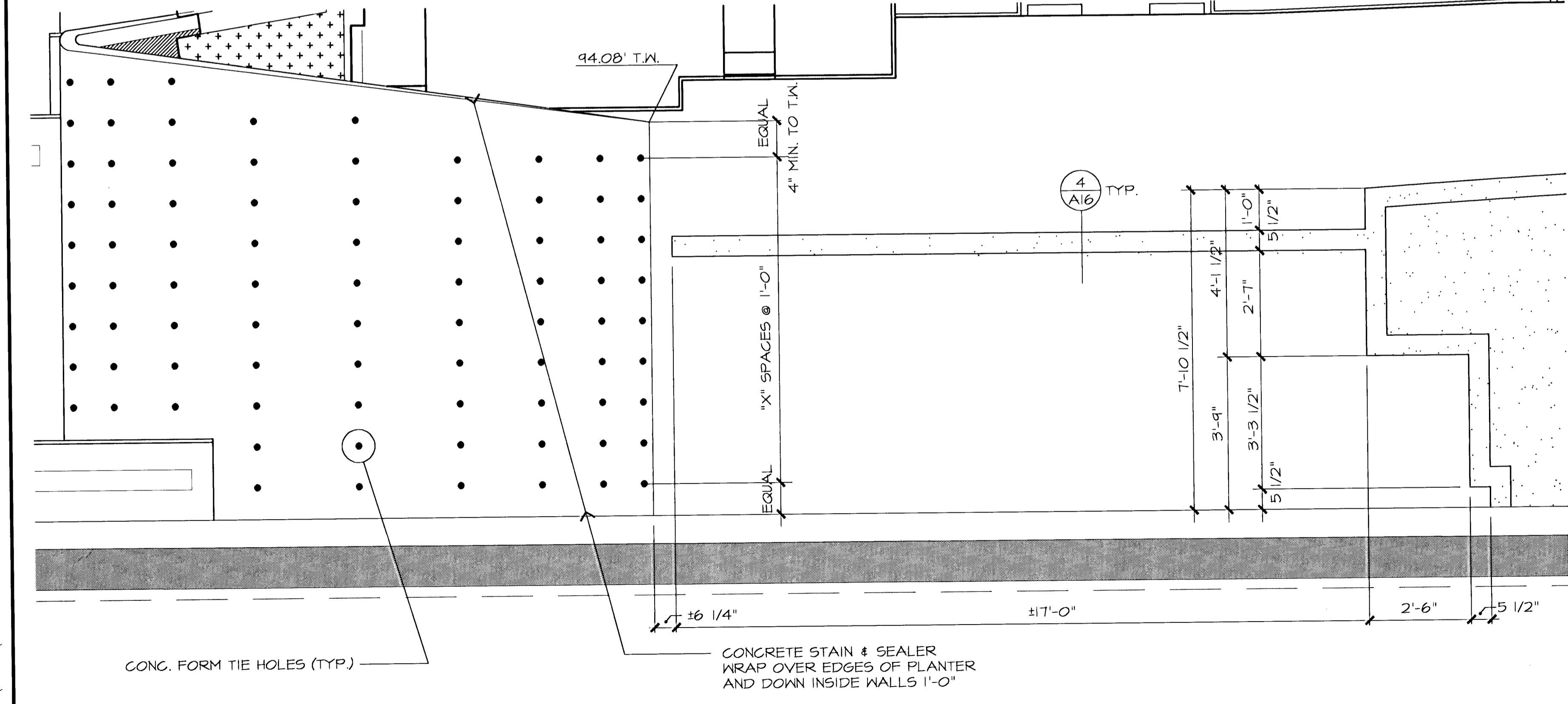


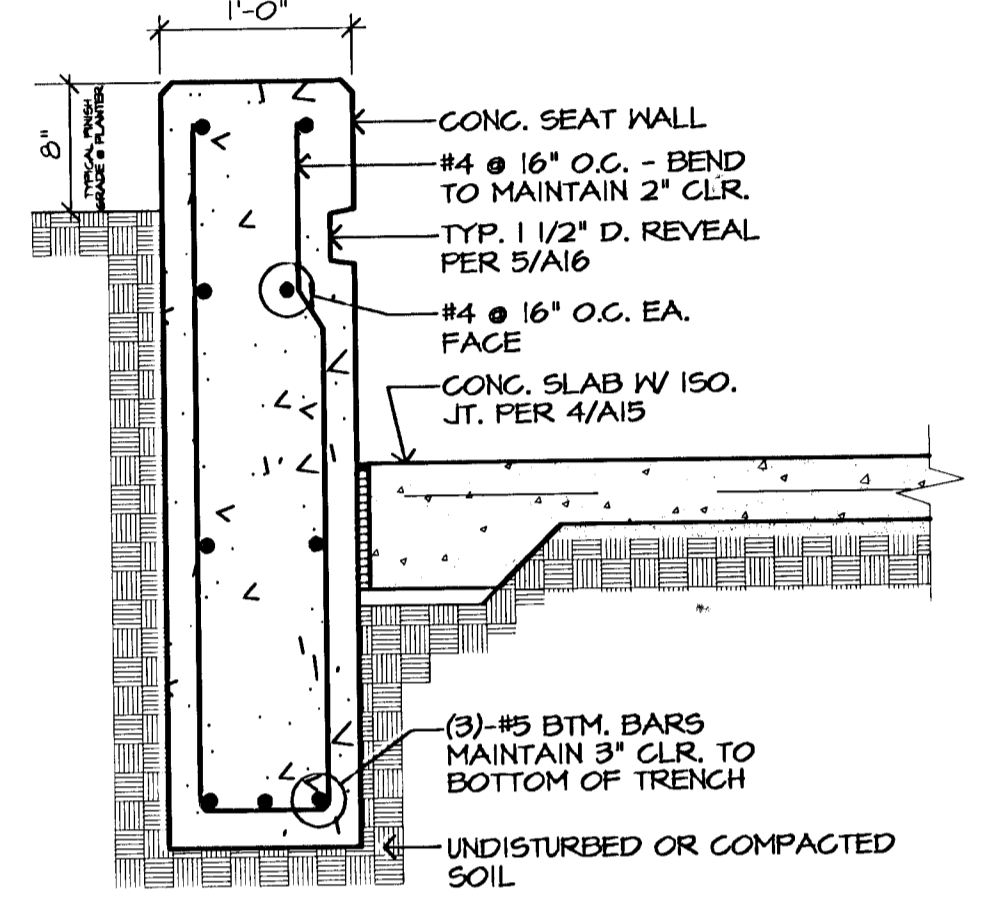
1 ABUTMENT ELEVATION - EAST
 0' 4' 8' 12' 1/8"=1'-0" PLAQUE PLACEMENT SUBSIDIARY TO WALL CONSTRUCTION



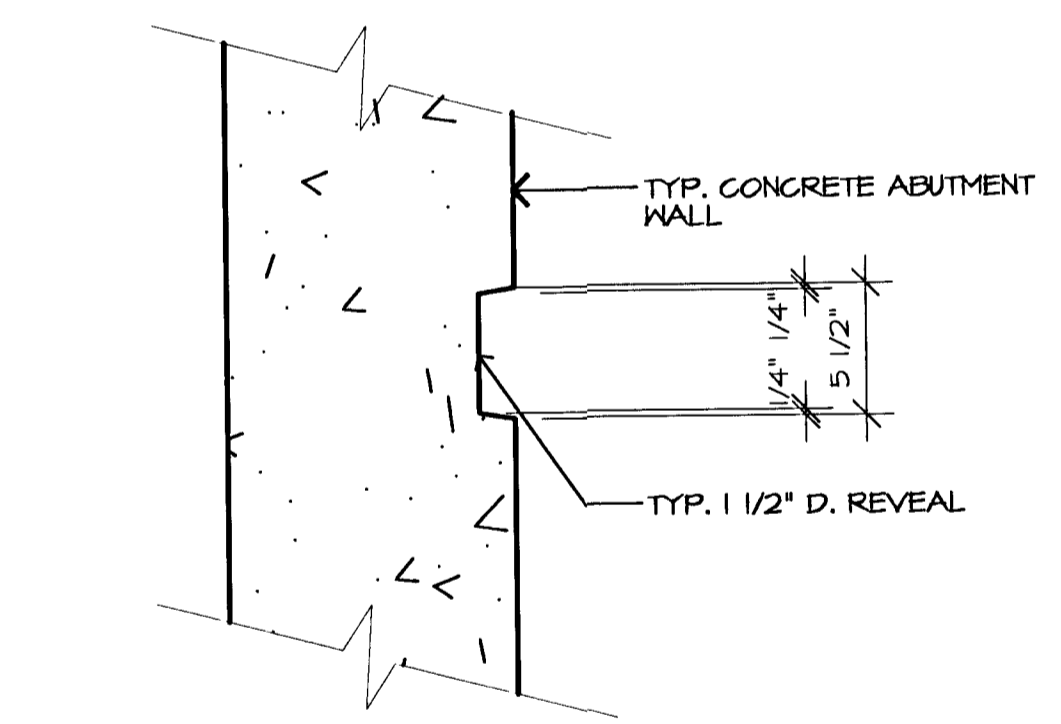
2 ABUTMENT ELEVATION - WEST
 0' 4' 8' 12' 1/8"=1'-0"



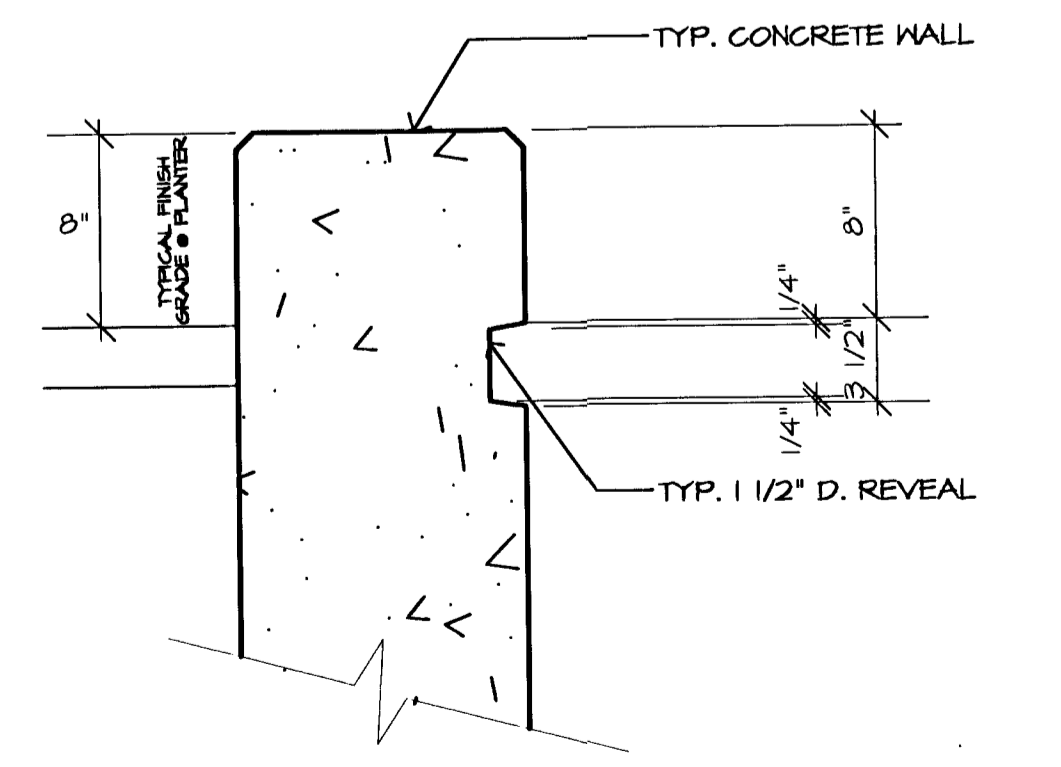
3 ENLARGED ELEVATION - EAST ABUTMENT (WEST SIMILAR)
 0' 1' 2' 3' 1/2"=1'-0"



6 SEAT WALL
 0' 3' 6' 9' 1' 1 1/2"=1'-0"



4 TYP. CONCRETE REVEAL
 0' 3' 6' 9' 1' 1 1/2"=1'-0"



5 TYP. CONCRETE REVEAL
 0' 3' 6' 9' 1' 1 1/2"=1'-0"

GENERAL NOTES

1. CONCRETE FORM TIE HOLE DESIGN IS PURELY AESTHETIC, AND DOES NOT REPRESENT DESIGN REQ'D FOR FLUID PRESSURE.
2. WRAP CONCRETE STAIN AROUND EXPOSED EDGES OF CONCRETE, STOPPING APPLICATION AT INSIDE CORNERS WHERE POSSIBLE.
3. PLAN DRAWINGS OF EAST STAIRS ARE ON SHT. A11. HANDRAIL & GUARDRAIL DETAILS ARE ON SHT. A10. STAIR SECTIONS ARE ON SHT. A11.
4. SEE SHT. A2 FOR ARCHITECTURAL ELEVATION INDICATING ADJOINING MATERIALS & CONFIGURATION.
5. ALL WALLS AT RIVER LEVEL TO RECEIVE ANTI-GRAFFITI SEALER, INCLUDING RETAINING WALLS, ABUTMENT WALLS AND SPIRAL PLANTER WALLS.

LEGEND

- [Pattern] CONCRETE SURFACES TO RECEIVE MEDIUM ABRASIVE BLAST FINISH WITH STAIN & SEALER
- [Pattern] CONCRETE SURFACES TO RECEIVE BRUSH ABRASIVE BLAST FINISH WITH STAIN & SEALER
- [Pattern] CONCRETE SURFACES TO RECEIVE MEDIUM ABRASIVE BLAST FINISH



No.	Revisions	By	Date
1			

GossenLivingston
 Architecture
 420 South Emporia
 Wichita, KS 67202
 Tel (316) 265-1387
 Fax (316) 265-5648

WICKI SCURF SITEWORKS
 1006 NE 108th St
 Omaha, NE 68158-7533

CITY OF WICHITA, KANSAS
 MICHAEL E. LINDEBAK, P.E. - CITY ENGINEER
 LEWIS STREET BRIDGE
 OVER ARKANSAS RIVER
ABUTMENT ELEVATIONS
 CITY OF WICHITA PROJECT NO. 472-82720
PROFESSIONAL ENGINEERING CONSULTANTS, P.A.
 ENGINEERS
 WICHITA, KANSAS

Designed by LBD
 Checked by JPB
 Drawn by LBD
 Date 3/16/98
 Job No. 95088-2

F:\900\020\DWG\A16