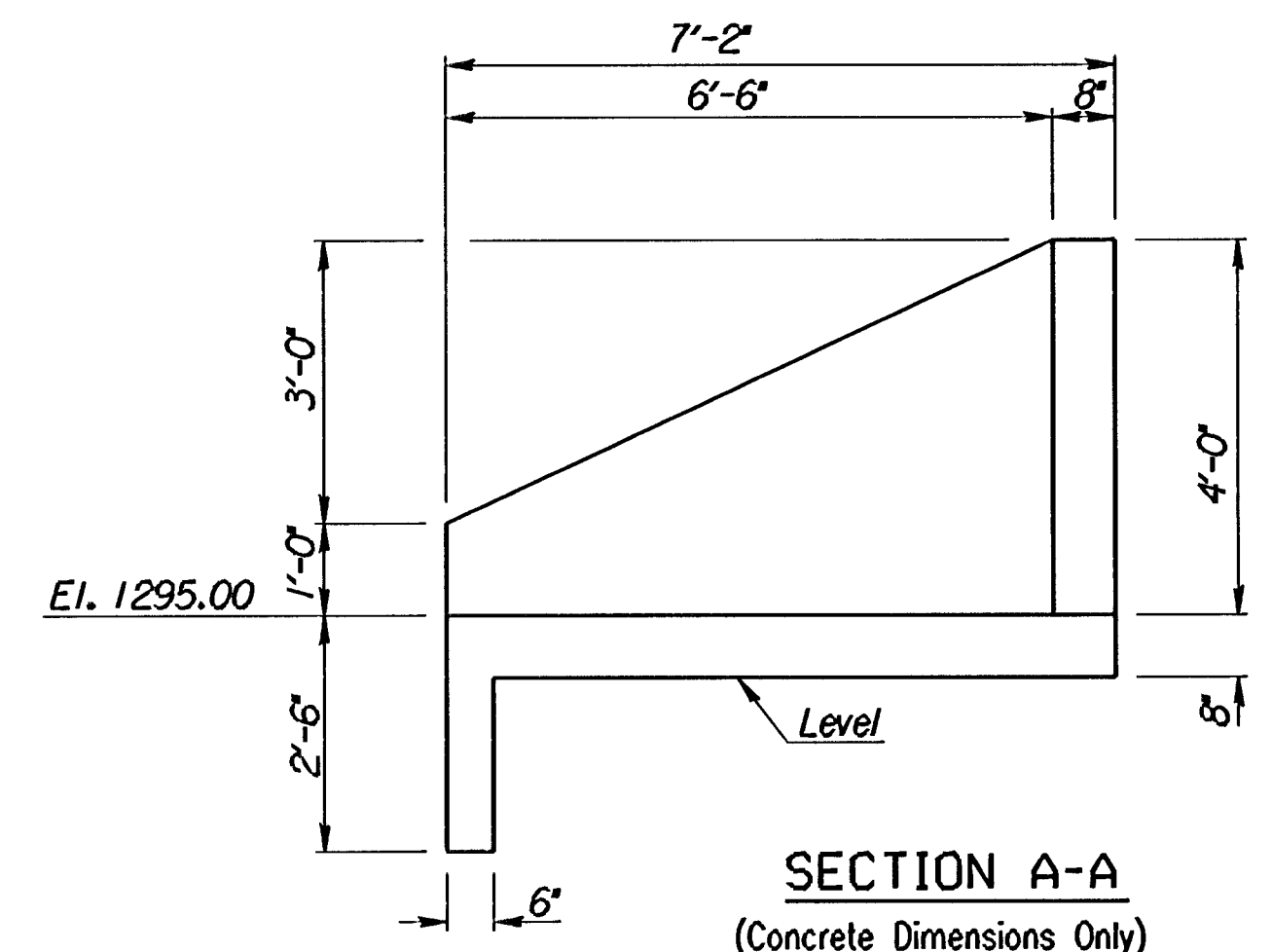
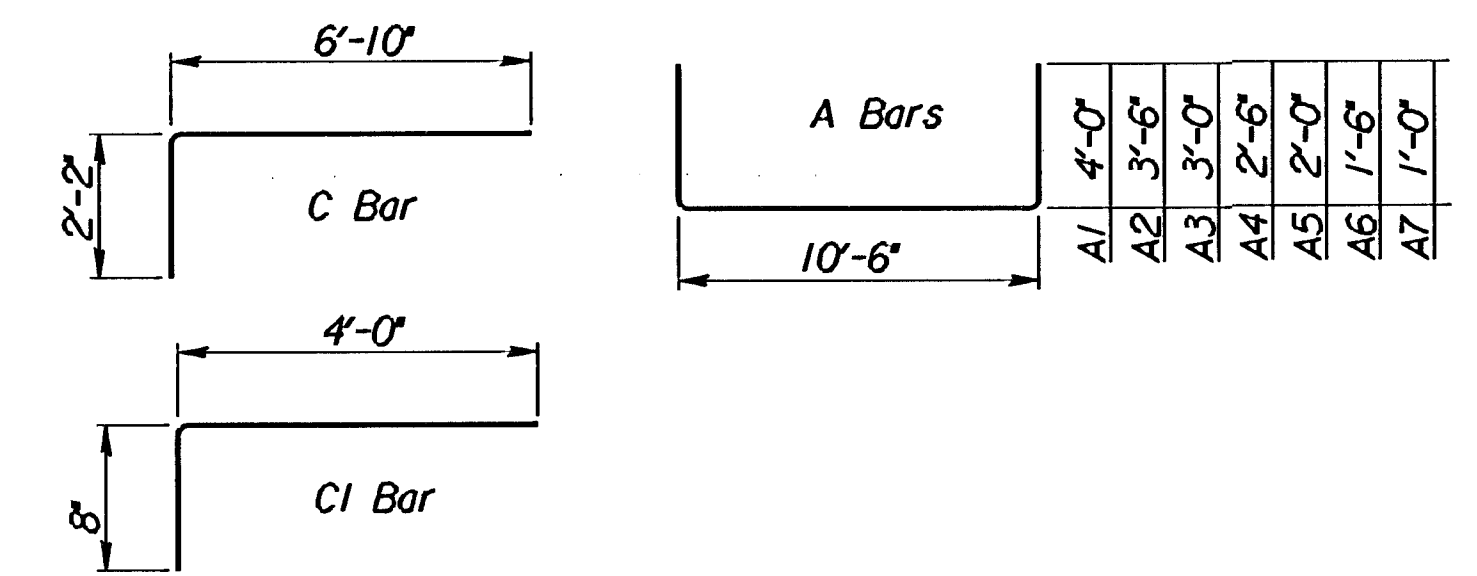


**PLAN**  
(Concrete Dimensions Only)



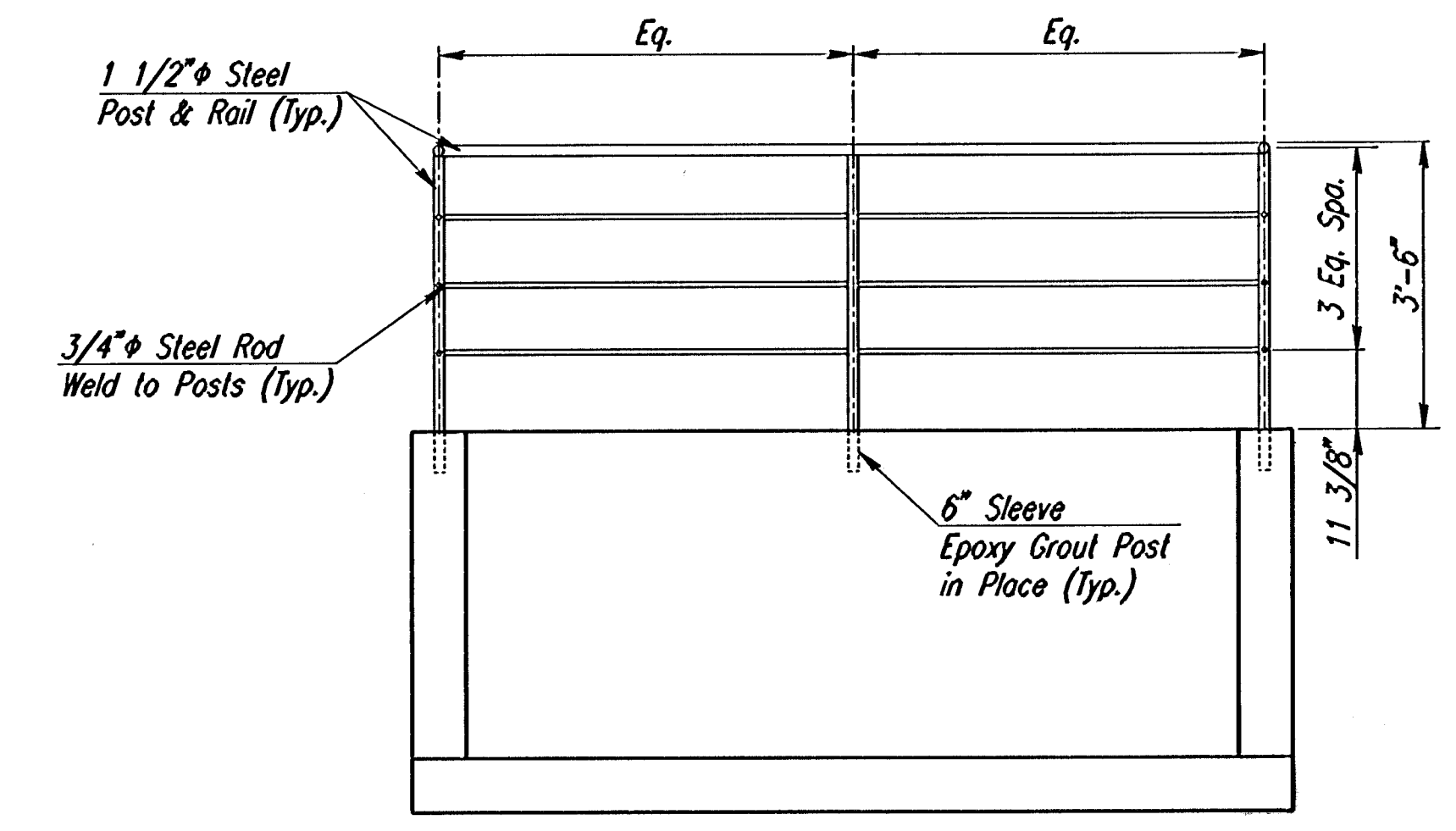
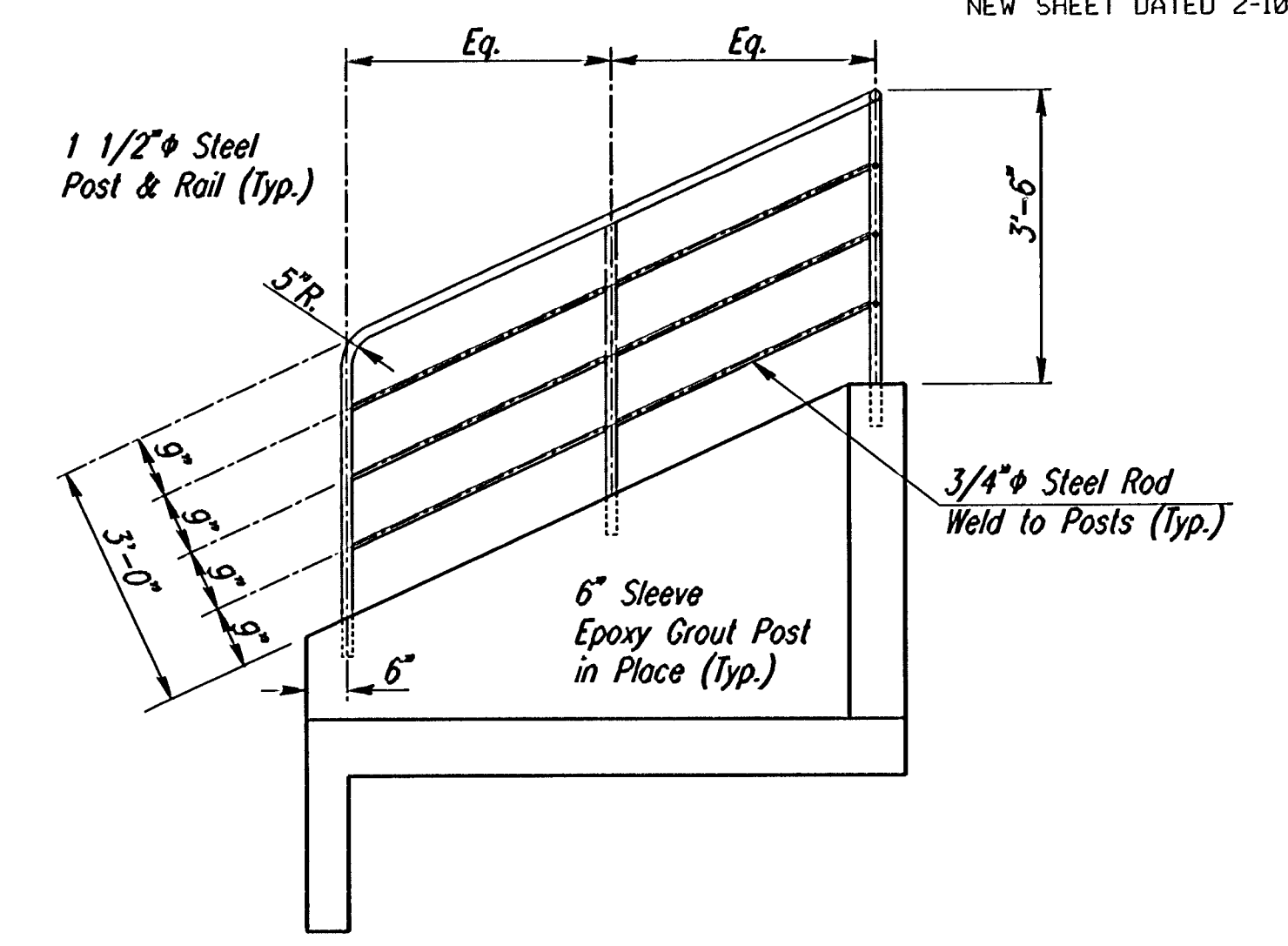
**SECTION A-A**  
(Concrete Dimensions Only)



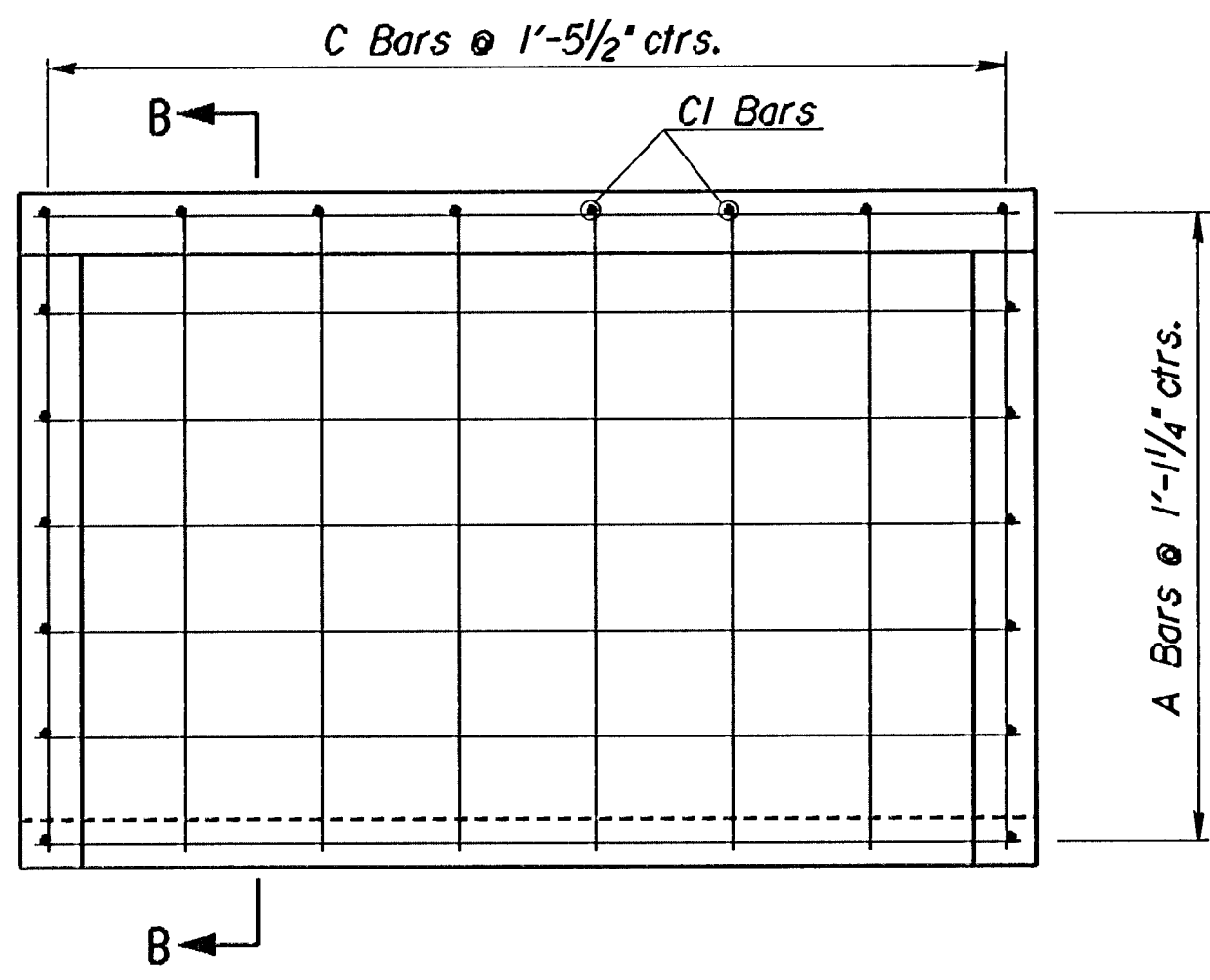
**BENDING DIAGRAMS**

RE-BAR SCHEDULE				
Mark	Shape	No.	Length	Weight
A1	[ ]	1	18'-6"	12.36
A2	[ ]	1	17'-6"	11.69
A3	[ ]	1	16'-6"	11.02
A4	[ ]	1	15'-6"	10.35
A5	[ ]	1	14'-6"	9.69
A6	[ ]	1	13'-6"	9.02
A7	[ ]	1	12'-6"	8.35
B1	[ ]	2	6'-10"	9.13
B2	[ ]	2	4'-9"	6.35
B3	[ ]	2	2'-7"	3.45
C	[ ]	8	9'-0"	48.10
CI	[ ]	8	4'-8"	24.94
E	[ ]	6	10'-6"	42.08
F	[ ]	2	7'-6"	10.02
Total Rebars			216.55	Lbs.
Concrete			3.79	C.Y.

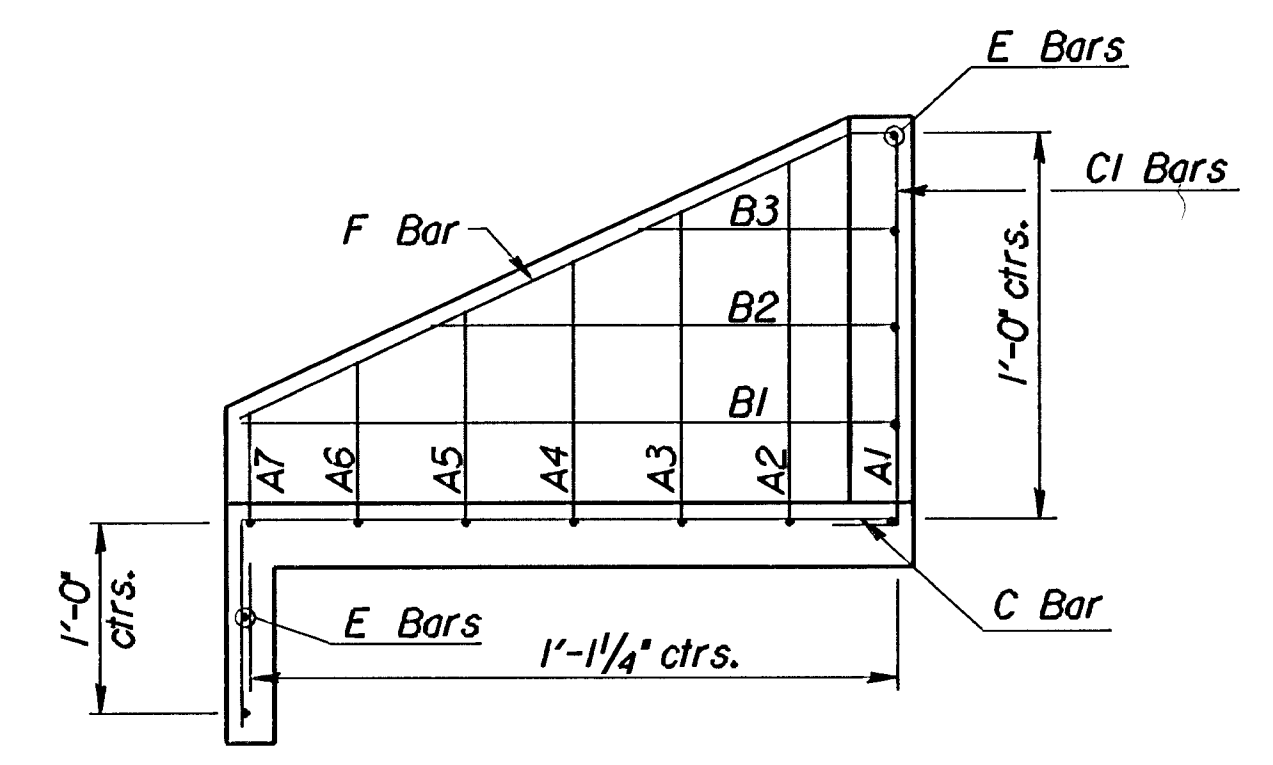
All Concrete Reinforcement to be #4 bars.



**RAIL DETAILS**



**PLAN**  
(Reinforcing Dimensions Only)



**SECTION B-B**  
(Reinforcing Dimensions Only)

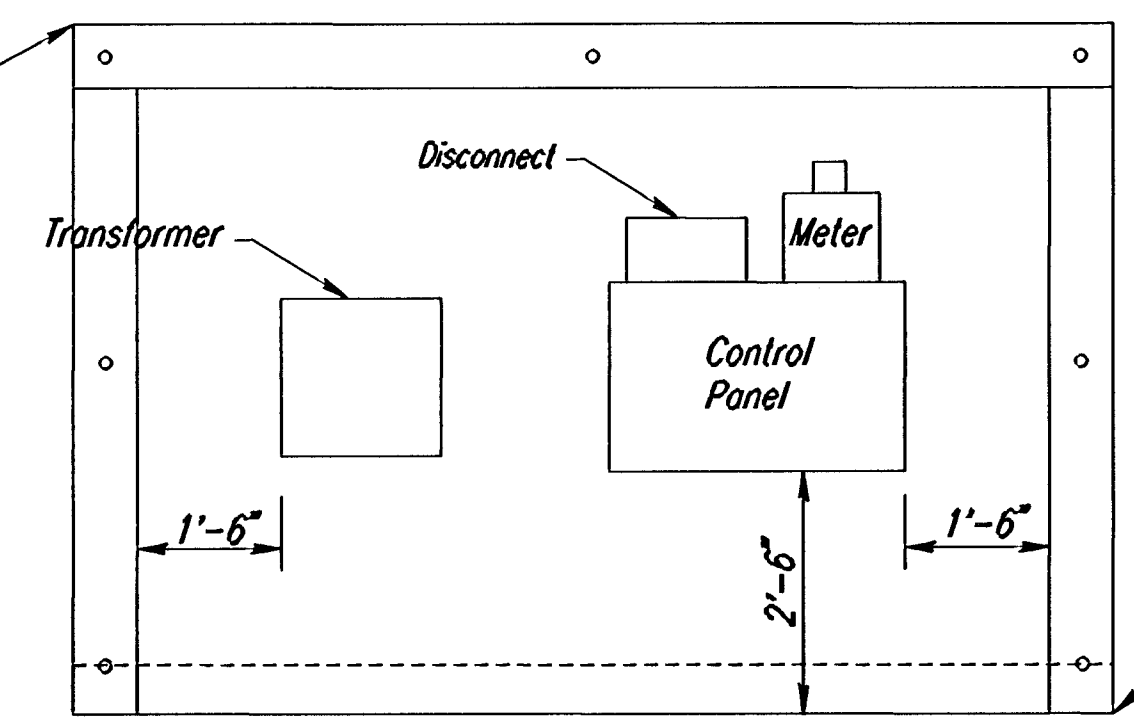
**CONCRETE HEADWALL NOTES**

**CONCRETE:** Bevel all exposed edges with 3/4" triangular molding or finish with an approved edging tool. Concrete shall be as per City of Wichita Standard Specifications for concrete paving mix except that it shall have a minimum 28 day compressive strength of 3,000 p.s.i.

**REINFORCING STEEL:** All dimensions relative to reinforcing steel are to centerline of bar unless otherwise noted. All clearances shall be 2" unless otherwise noted. All reinforcing steel shall conform to A.S.T.M. Designation A615 Grade 60 and shall be epoxy coated.

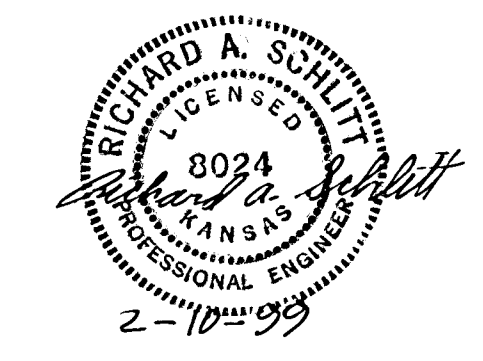
**RAIL:** Shall meet the material and finish requirements for Guardrail-Type IV. See specifications for criteria.

Sta. 68+36.47, 103.80' Lt.  
N 1685529.0780  
E 1647132.7260



**EQUIPMENT PLAN**

Sta. 68+31.29, 91.89' Lt.  
N 1685516.2390  
E 1647130.8090



CITY OF WICHITA, KANSAS  
MICHAEL E. LINDEBAK, P.E.-CITY ENGINEER  
DOUGLAS AVENUE BRIDGE  
OVER ARKANSAS RIVER  
**ELECTRIC CONTROLLER PAD**  
CITY OF WICHITA PROJECT NO. 472-82721  
**PROFESSIONAL ENGINEERING CONSULTANTS, P.A.**  
ENGINEERS  
WICHITA, KANSAS

Designed by	RAS	Checked by	RAS
Drawn by	JGP	Date	Febr., 1999
		Job No.	95088-9

1/1995/95088/douglas/revise/rdw/elec  
Date Plotted: ras 2-10-99  
Deliver to: