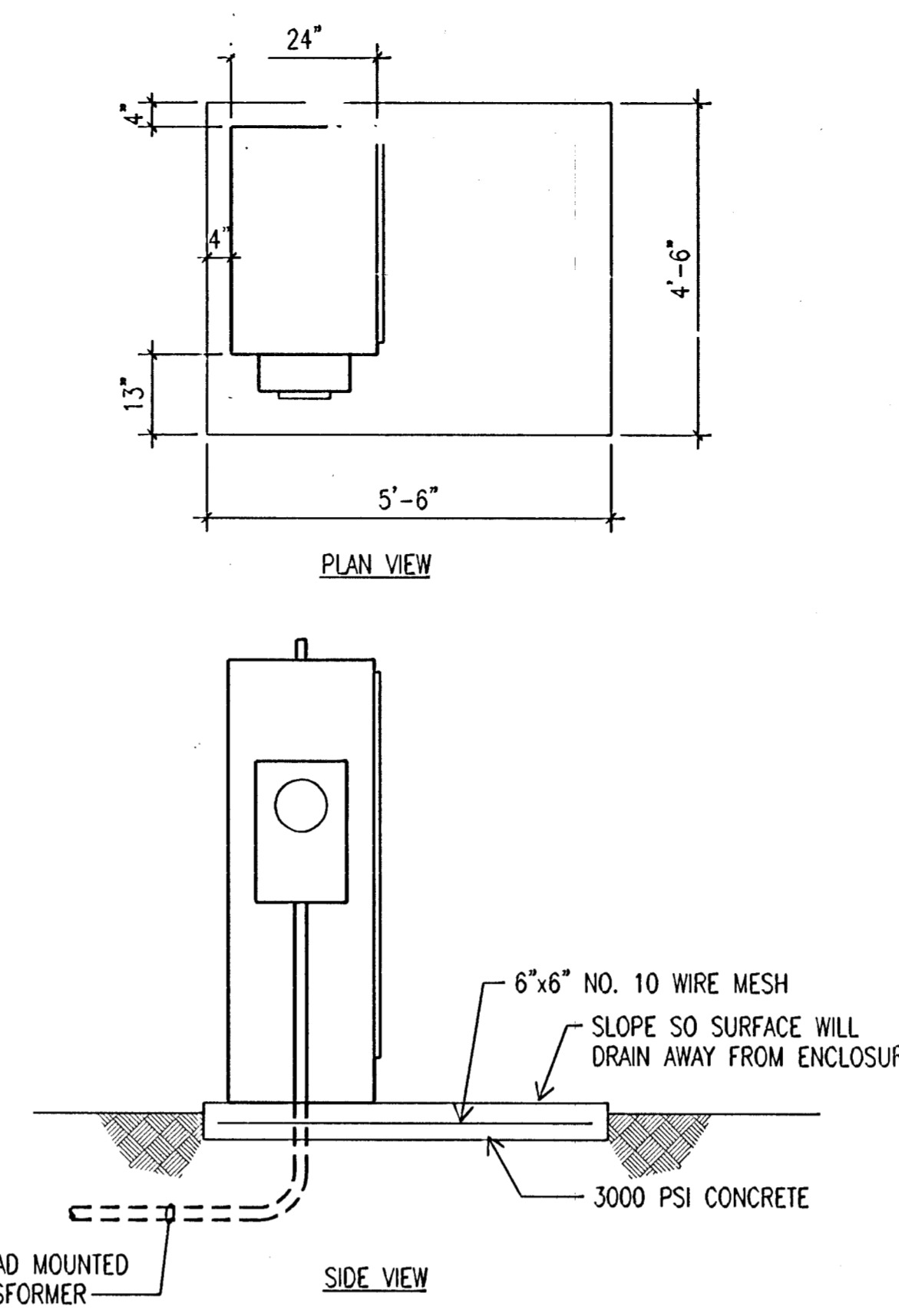
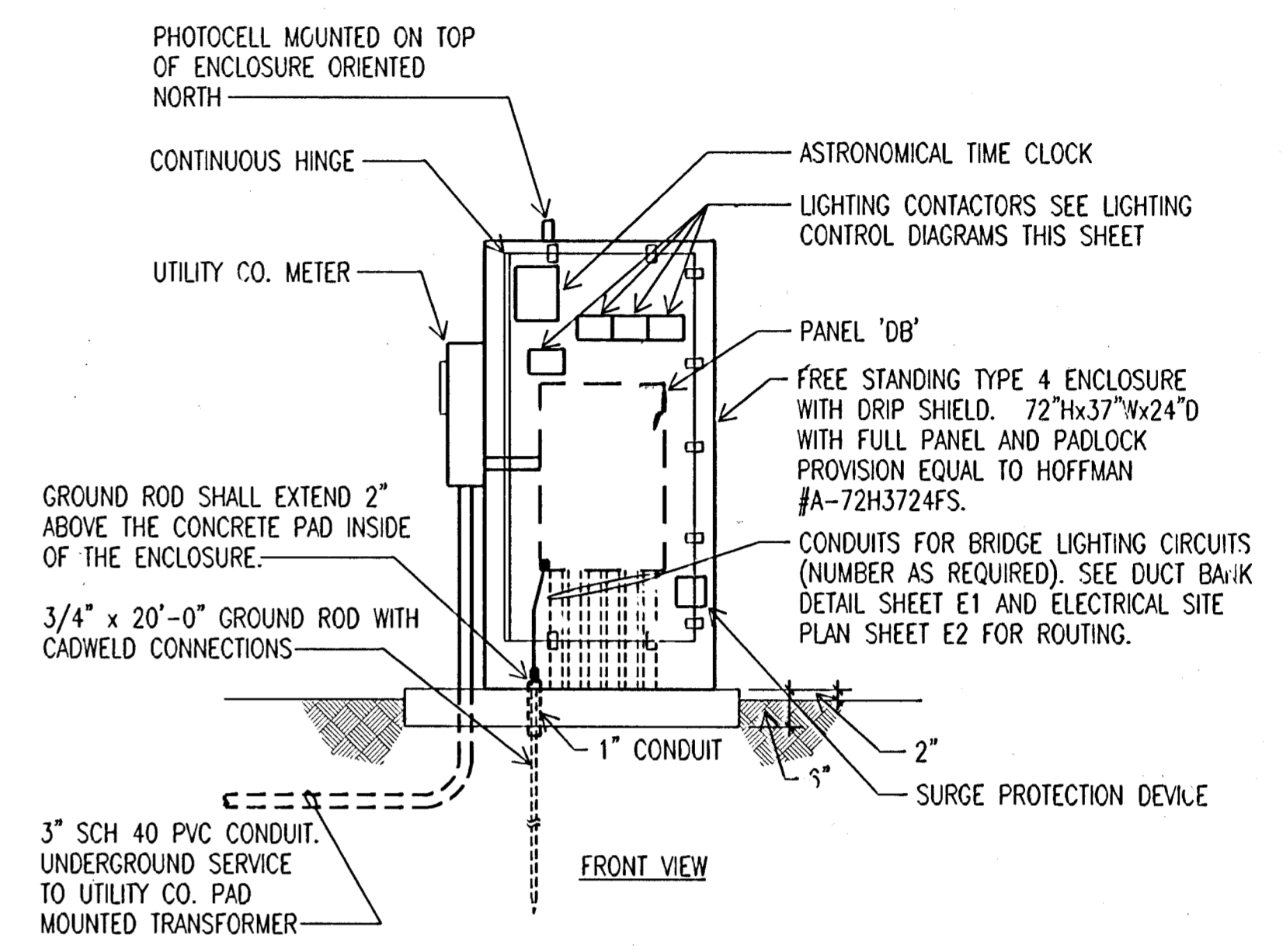


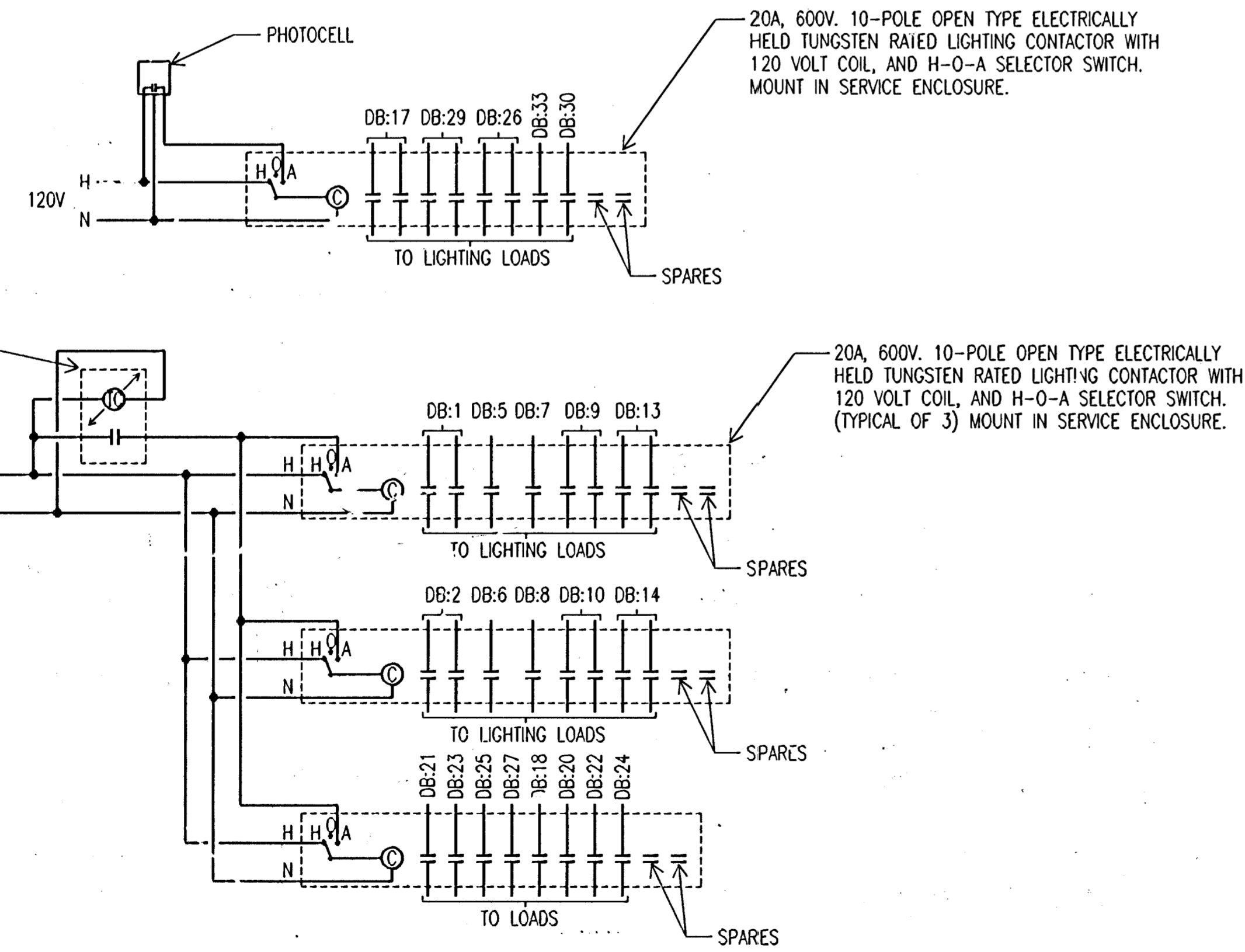
4 FIXTURE 'N2' MOUNTING ELEVATION
SCALE: 3/16" = 1'-0"



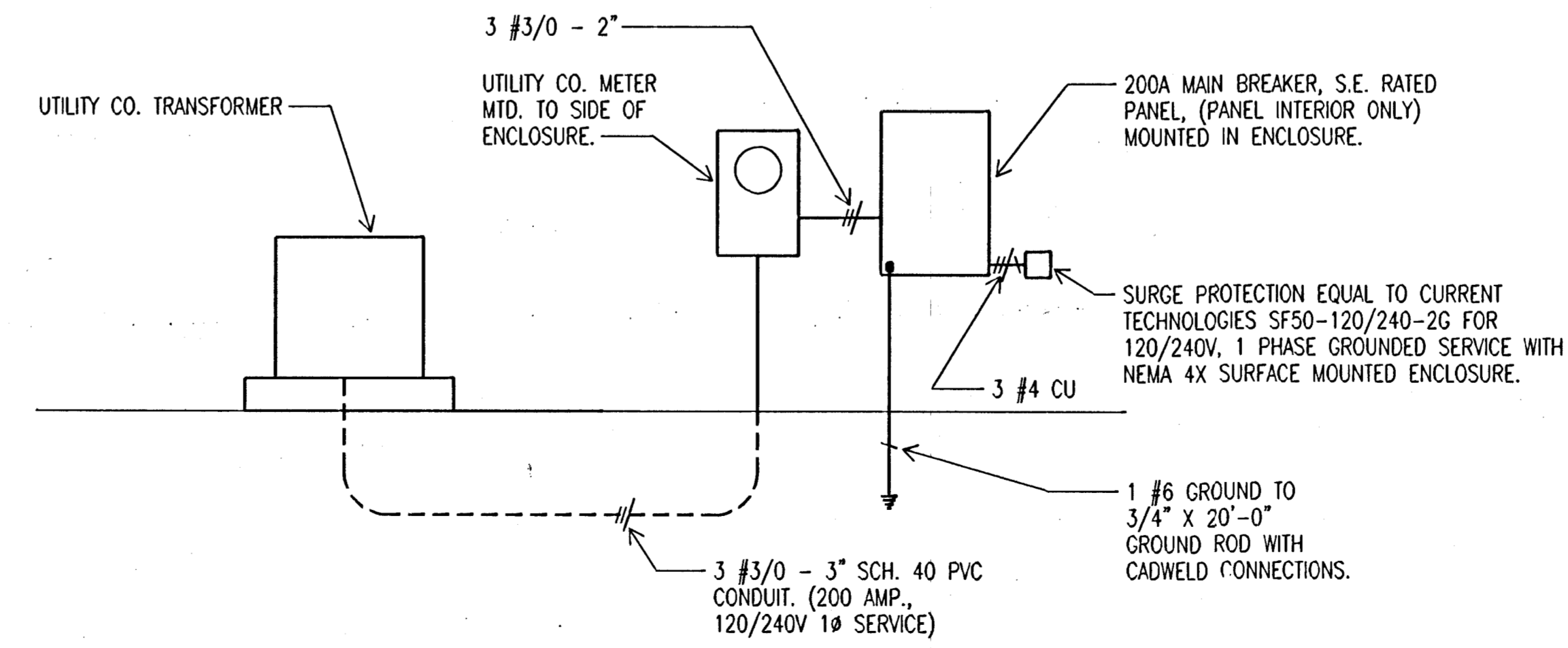
1 SERVICE ENCLOSURE DETAIL
NO SCALE



PLAN	SURVEYED	DATE
NOTE BOOK	PLOTTED	BY
NO.	ALIGNMENT CHECKED	
	RT. OF WAY CHECKED	



3 LIGHTING CONTROL DIAGRAMS
NO SCALE



2 RISER DIAGRAM
NO SCALE

CIRCUIT NO.		LOAD V. A.	LOAD TYPE	LOAD DESCRIPTION	AMP SIZE	AMP SIZE	LOAD DESCRIPTION	LOAD TYPE	LOAD V. A.	CIRCUIT NO.
1	1000	LGH	PIERS	PIERS	2	20	PIERS	LGH	1000	2
3										
5	240	LGH	PIER BASE	PIER BASE	1	20	PIER BASE	LGH	240	6
7	240	LGH	PIER BASE	PIER BASE	1	20	PIER BASE	LGH	240	8
9	1000	LGH	TOWER	TOWER	2	20	TOWER	LGH	1000	10
11										
13	1000	LGH	TOWER	TOWER	2	20	TOWER	LGH	2000	14
15										
17	2700	LGH	ROADWAY	RECEPT. ON POLE	2	20	RECEPT. ON POLE	RPT	600	18
19										
21	600	RPT	RECEPT. ON POLE	RECEPT. ON POLE	1	20	RECEPT. ON POLE	RPT	550	20
23	600	RPT	RECEPT. ON POLE	SOUTH STEPS	1	20	SOUTH STEPS	LGH	490	22
25	490	LGH	NORTH STEPS	SOUTH STEPS	1	20	SOUTH STEPS	LGH	525	24
27	525	LGH	NORTH STEPS	WEST PATH	2	20	WEST PATH	LGH	1500	26
29	1500	LGH	EAST PATH	W. RETAINING WL	1	20	W. RETAINING WL	LGH	70	30
31										
33	455	LGH	EAST STAIRS	LAWN SPRINKLER	1	20	LAWN SPRINKLER	PWR	200	32
35										
37										
39										
41										

CONTROL OF LIGHTING CIRCUITS IS AS FOLLOWS:
 1 SUNSET/ TIME CLOCK "ON", TIME CLOCK " OFF". SEE LIGHTING CONTROL DIAGRAMS SHEET E5.
 2 PHOTOCCELL "ON", PHOTOCCELL "OFF". SEE LIGHTING CONTROL DIAGRAMS SHEET E5.

SEE SERVICE ENCLOSURE DETAIL ABOVE FOR MOUNTING INFORMATION



CITY OF WICHITA, KANSAS
 MICHAEL E. LINDEBAK, P.E. - CITY ENGINEER
 DOUGLAS AVENUE BRIDGE
 OVER ARKANSAS RIVER

ELECTRICAL DETAILS

CITY OF WICHITA PROJECT NO. 472-82721

PROFESSIONAL ENGINEERING CONSULTANTS, P.A.
 L. INEERS
 WICHITA, KANSAS

Designed by: DCC
 Drawn by: MOB
 Checked by: POC
 Date: SFPL 1997
 Job No.: 95088-4

DSNR, DCC OPER. TRK SCALE: 1/4" = 1'-0"
 C:\1995\95088\004\DSSES.DWG 11-14-1997 6:23:12 pm