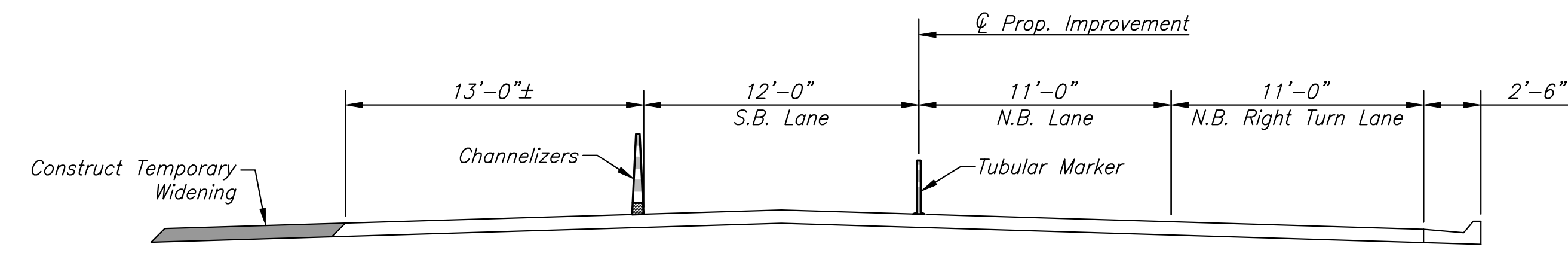
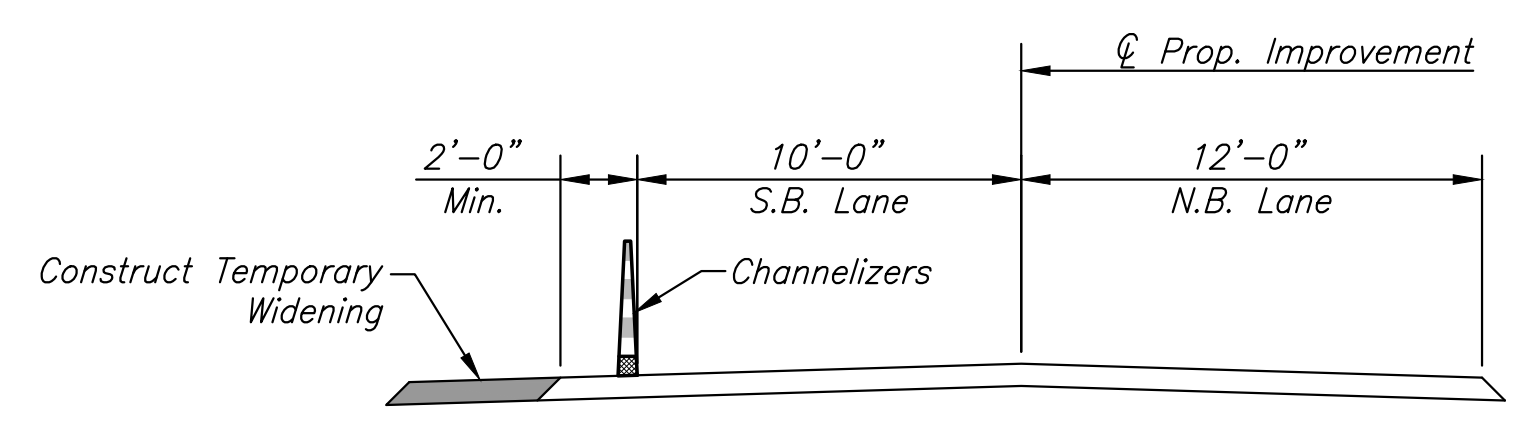


TYLER RD. - PHASE I



TYPICAL SECTION - PHASE 1



TYPICAL SECTION A-A - PHASE 1

- LEGEND**
- Arrow Display
 - Type III Barricade
 - Mount on Type III Barricade
 - Channelizer
 - Temporary Concrete Safety Barrier
 - Work Area
 - Traffic Flow
 - Temporary Concrete Safety Barrier pinned to Roadway
 - Temporary Asphalt Pavement

©2021 MKEC Engineering All Rights Reserved www.mkec.com
These drawings and their contents, including, but not limited to, all concepts, designs, & ideas are the exclusive property of MKEC Engineering (MKEC), and may not be used or reproduced in any way without the express consent of MKEC.

TRAFFIC CONTROL PLAN - PHASE 1

PROJECT NO.	1901010483	
DATE	FEB. 2021	
SCALE	1" = 50'	
DESIGNED	DRAWN	CHECKED
JRA	RAM	JRA

NO.	REVISION	DATE

SHEET NO.
29 OF 41

J:\PROJECTS\2019\1901010483_COW_RCB_TYLER AND HARRY_190483_CADD\SHOTS\6 CIVIL\TRAFFIC\190483-05-5762.DWG
 PLOTTED: Thursday, February 11, 2021 @ 03:05PM