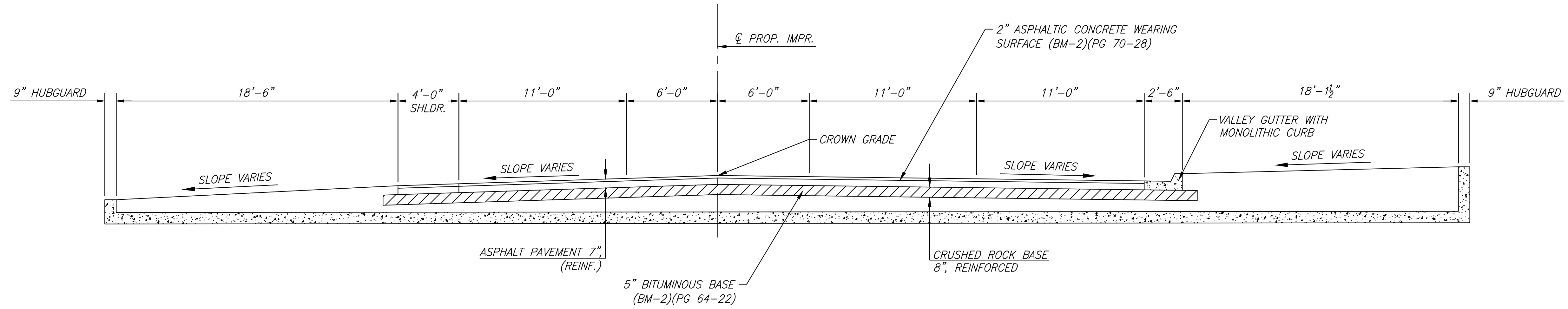


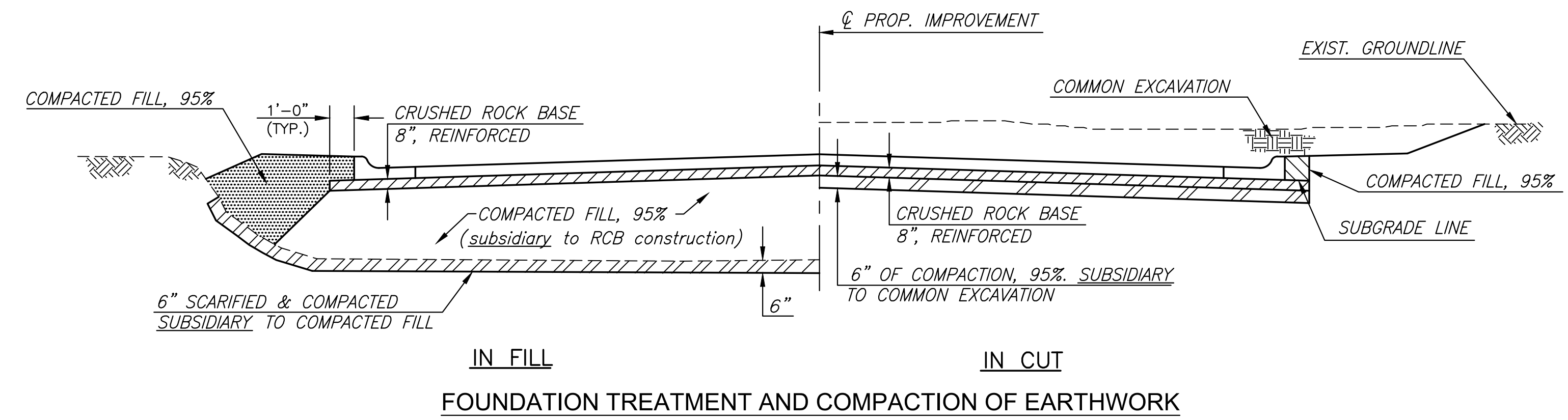
PLOTTED: Thursday, February 11, 2021 @ 03:00PM

J:\PROJECTS\2019\1901010483\_COW\_RCB\_TYLER AND HARRY\_190483\_CADD\SHOTS\06 CIVIL\PAV\190483-06-5002.DWG

**PLANS FOR**  
**RCB REPLACEMENT-TYLER & HARRY**  
 CITY OF WICHITA, KANSAS



**PROPOSED SECTION**  
(STA. 49+70.00 TO STA. 50+30.00)



©2021 MKEC Engineering All Rights Reserved www.mkec.com  
 These drawings and their contents, including, but not limited to, all concepts, designs, & ideas are the exclusive property of MKEC Engineering (MKEC), and may not be used or reproduced in any way without the express consent of MKEC.

**TYPICAL SECTIONS**

PROJECT NO.	1901010483	
DATE	FEB. 2021	
SCALE	N.T.S.	
DESIGNED	DRAWN	CHECKED
JRA	RAM	JRA

NO.	REVISION	DATE