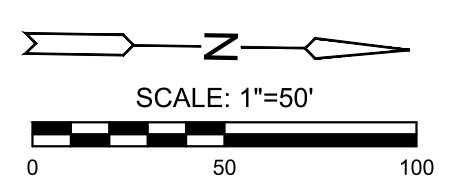
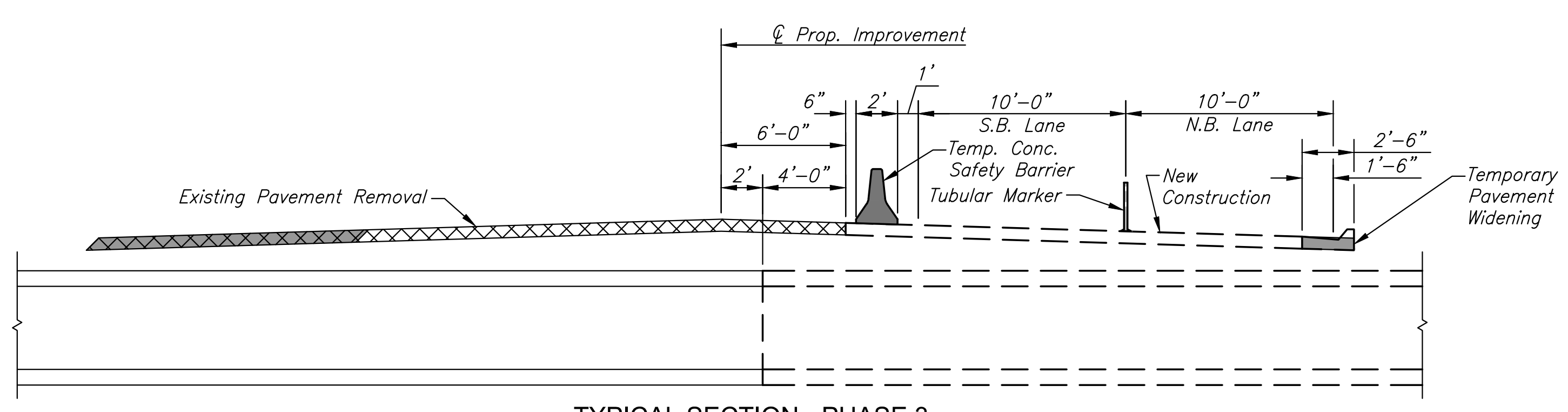
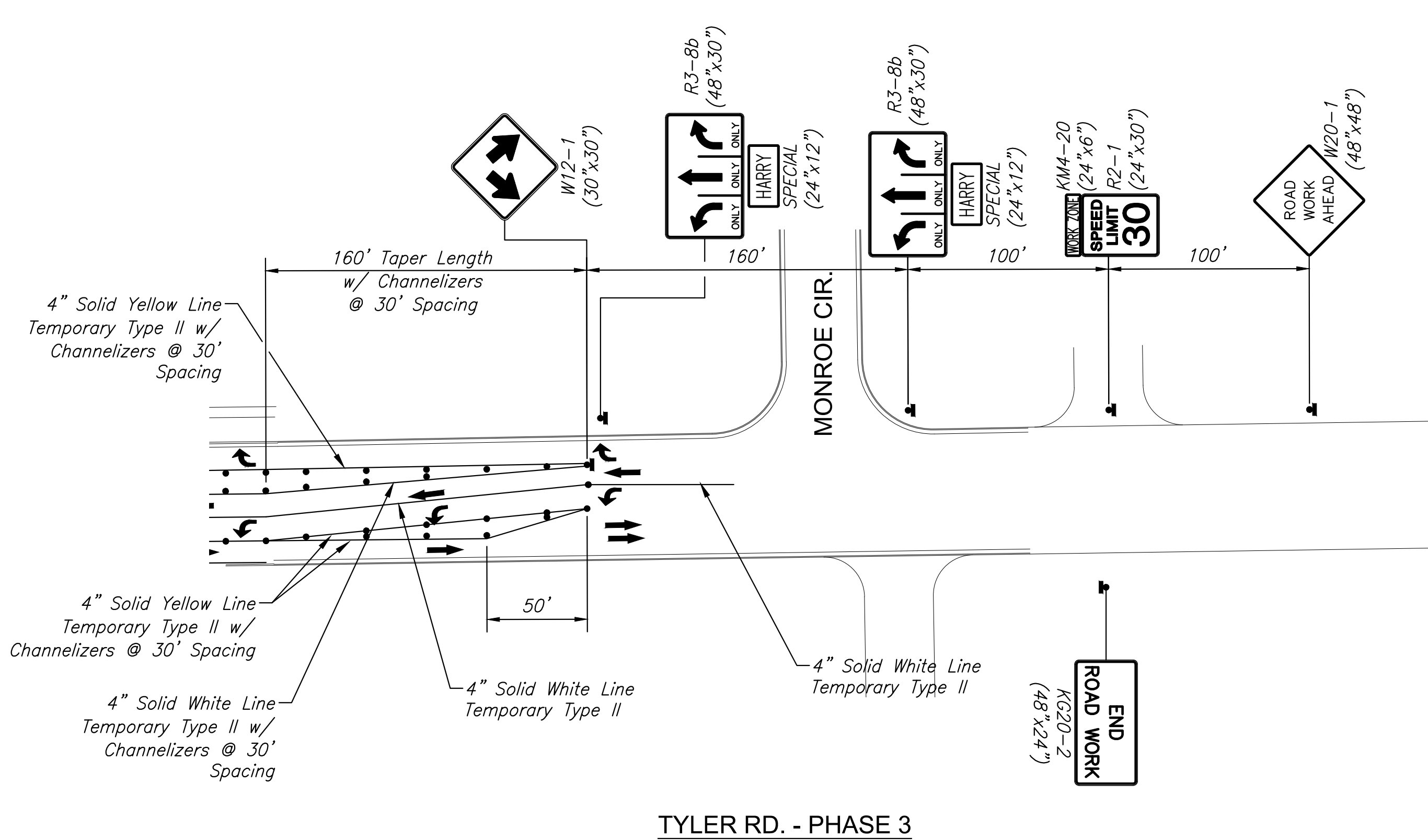
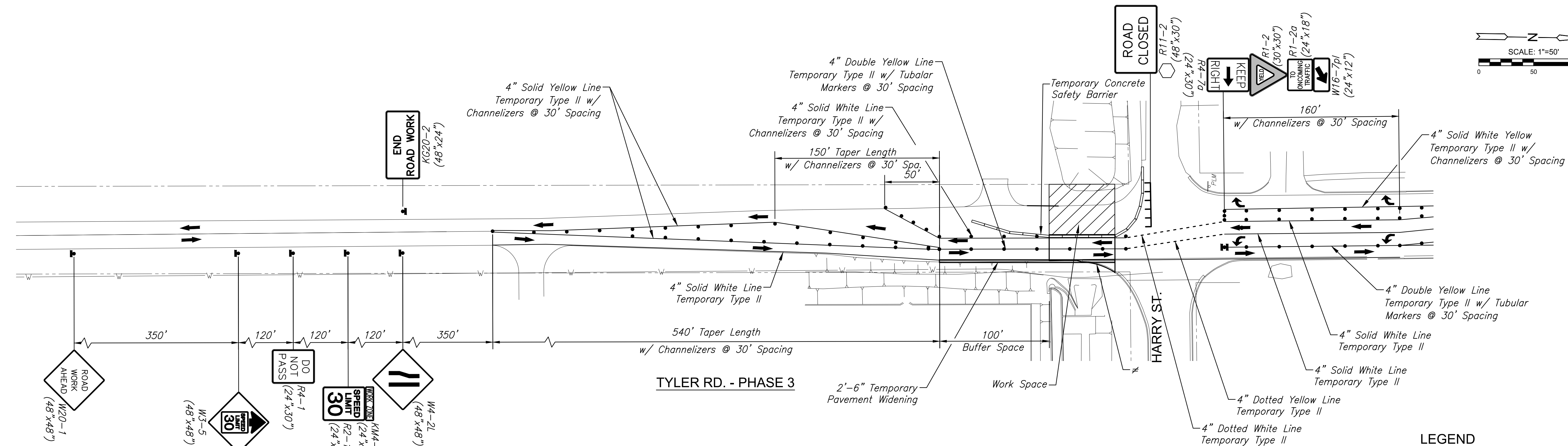


PLOTTED: Thursday, February 11, 2021 @ 03:07PM

J:\PROJECTS\2019\1901010483_COW_RCB_TYLER AND HARRY_190483_CADD\SHOTS\6 CIVIL\TRAFFIC\190483-05-5751.DWG



≠ Existing valley gutter concrete removed in Phase II will not be replaced until after Phase III to accommodate Phase II pavement widening.

- LEGEND**
- ∞ Arrow Display
 - ▬ Type III Barricade
 - ⬡ Mount on Type III Barricade
 - Channelizer
 - ▬ Temporary Concrete Safety Barrier
 - ▨ Work Area
 - ➔ Traffic Flow
 - ▭ Temporary Concrete Safety Barrier pinned to Roadway
 - ▭ Temporary Asphalt Pavement

PLANS FOR
RCB REPLACEMENT-TYLER & HARRY
 CITY OF WICHITA, KANSAS

©2021
MKEC Engineering
All Rights Reserved
www.mkec.com
These drawings and their contents, including, but not limited to, all concepts, designs, & ideas are the exclusive property of MKEC Engineering (MKEC), and may not be used or reproduced in any way without the express consent of MKEC.

TRAFFIC CONTROL PLAN - PHASE 3

PROJECT NO.	1901010483
DATE	FEB. 2021
SCALE	1" = 50'
DESIGNED	JRA
DRAWN	WNJ
CHECKED	JRA

NO.	REVISION	DATE