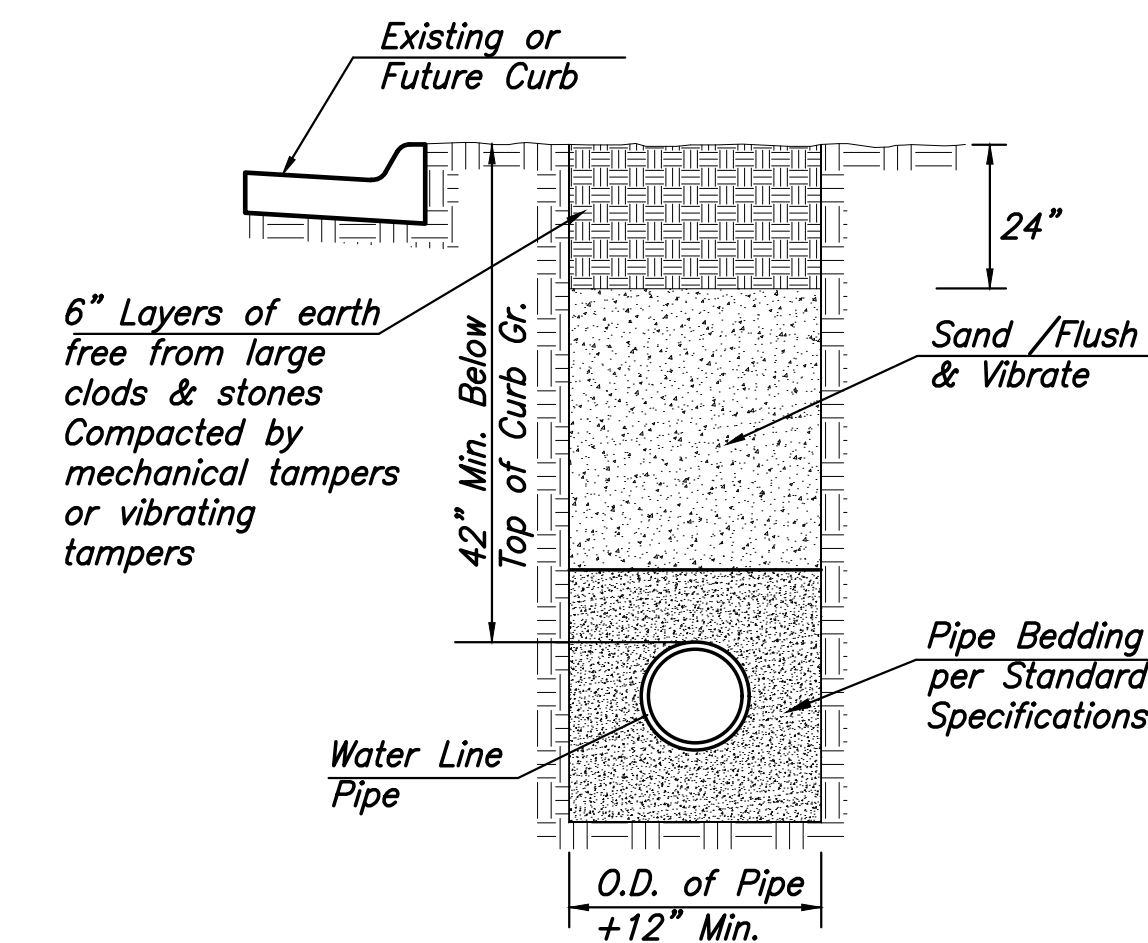
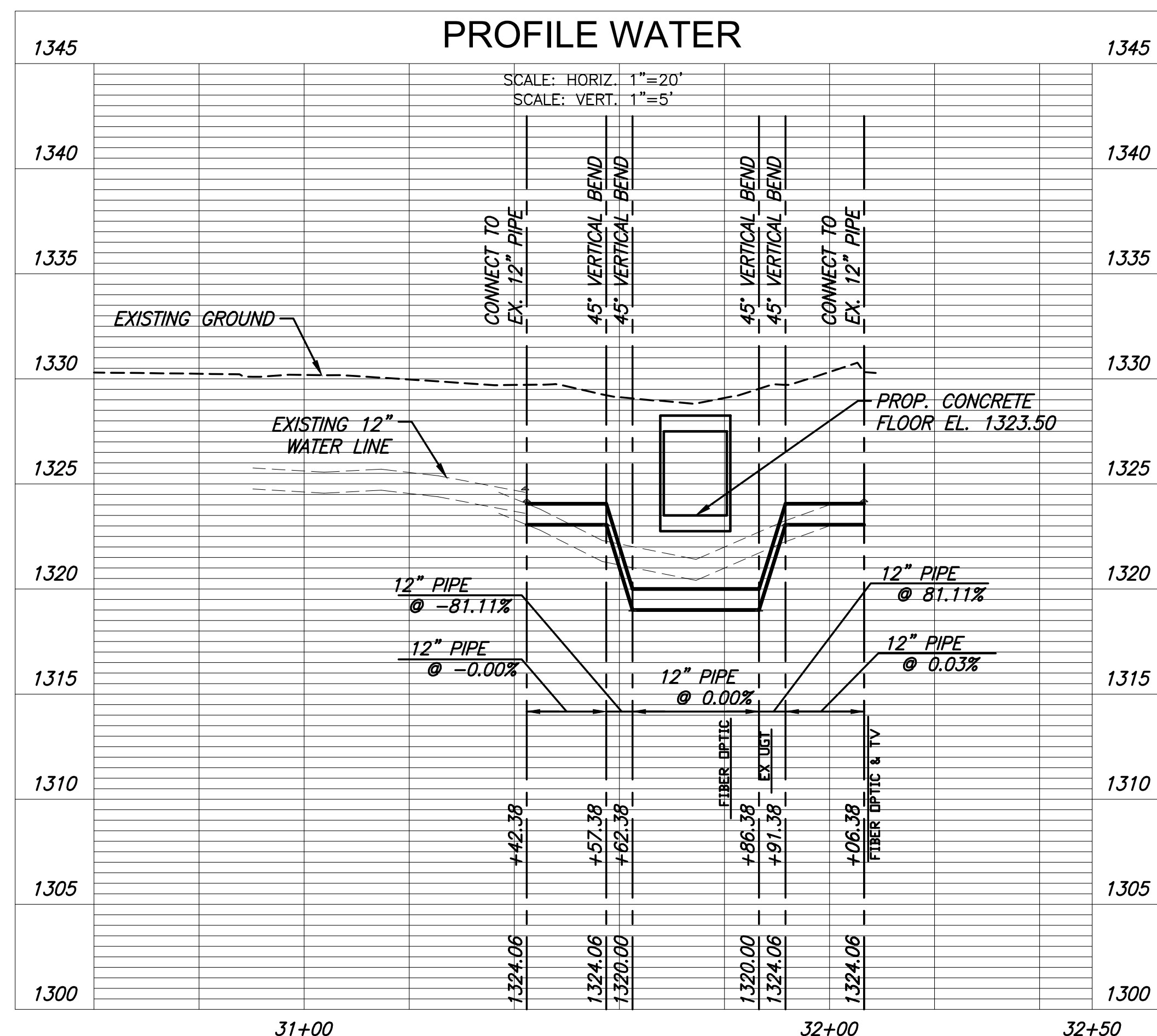
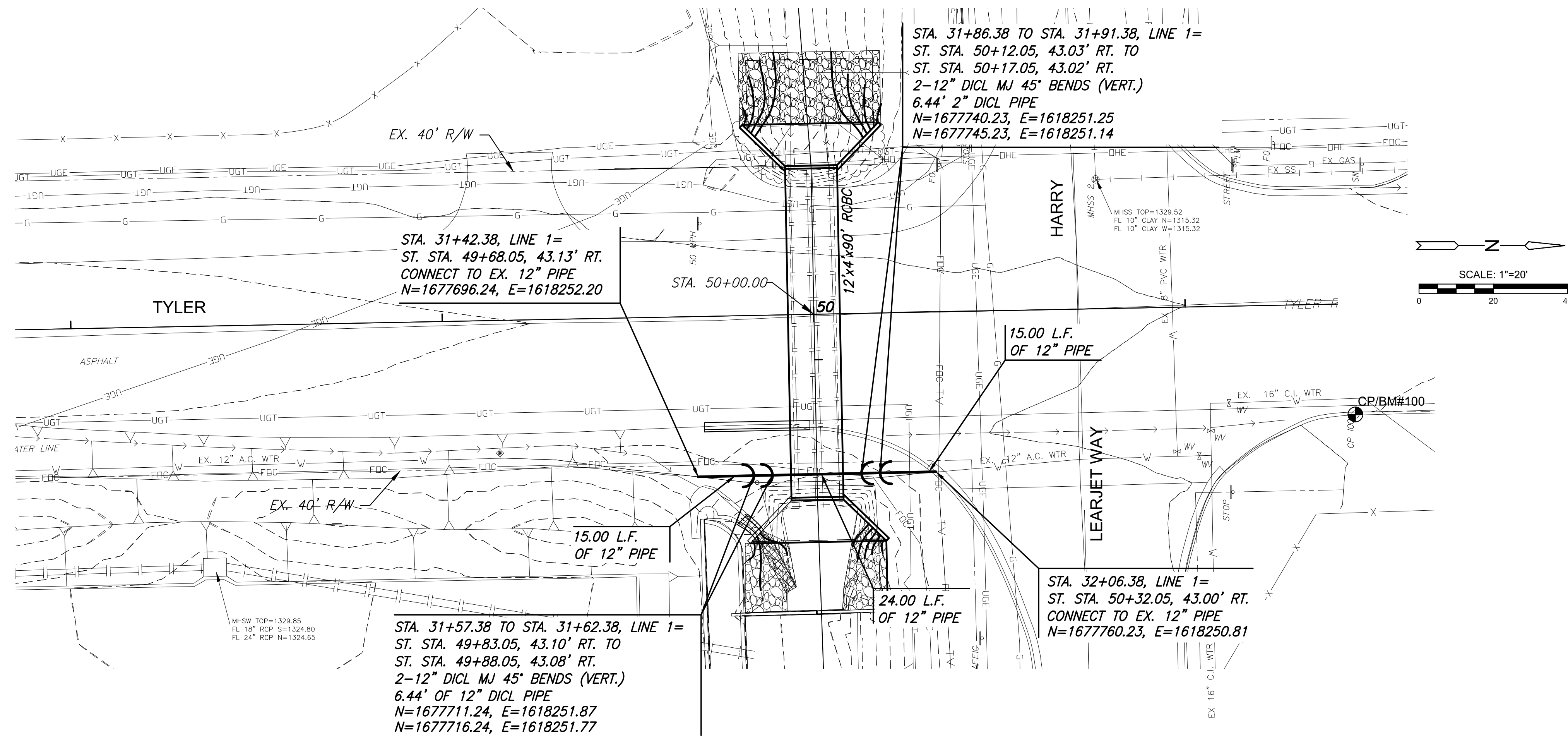


PLOTTED: Thursday, February 11, 2021 @ 03:02PM

J:\PROJECTS\2019\1901010483_COW_RCB_TYLER AND HARRY_190483 CAD\SHOTS\05 CIVIL\WTR\WATER LINE LOCATIONS_DISPLAY.DWG



PLANS FOR
RCB REPLACEMENT-TYLER & HARRY
CITY OF WICHITA, KANSAS

©2021 MKEC Engineering All Rights Reserved www.mkec.com
These drawings and their contents, including, but not limited to, all concepts, designs, & ideas are the exclusive property of MKEC Engineering (MKEC), and may not be used or reproduced in any way without the express consent of MKEC.

WATER LINE		
PROJECT NO.	1901010483	
DATE	FEB. 2021	
SCALE	1"=20'	
DESIGNED	DRAWN	
JTC	DM	
CHECKED	JRA	
NO.	REVISION	DATE
SHEET NO.		
8 OF 41		