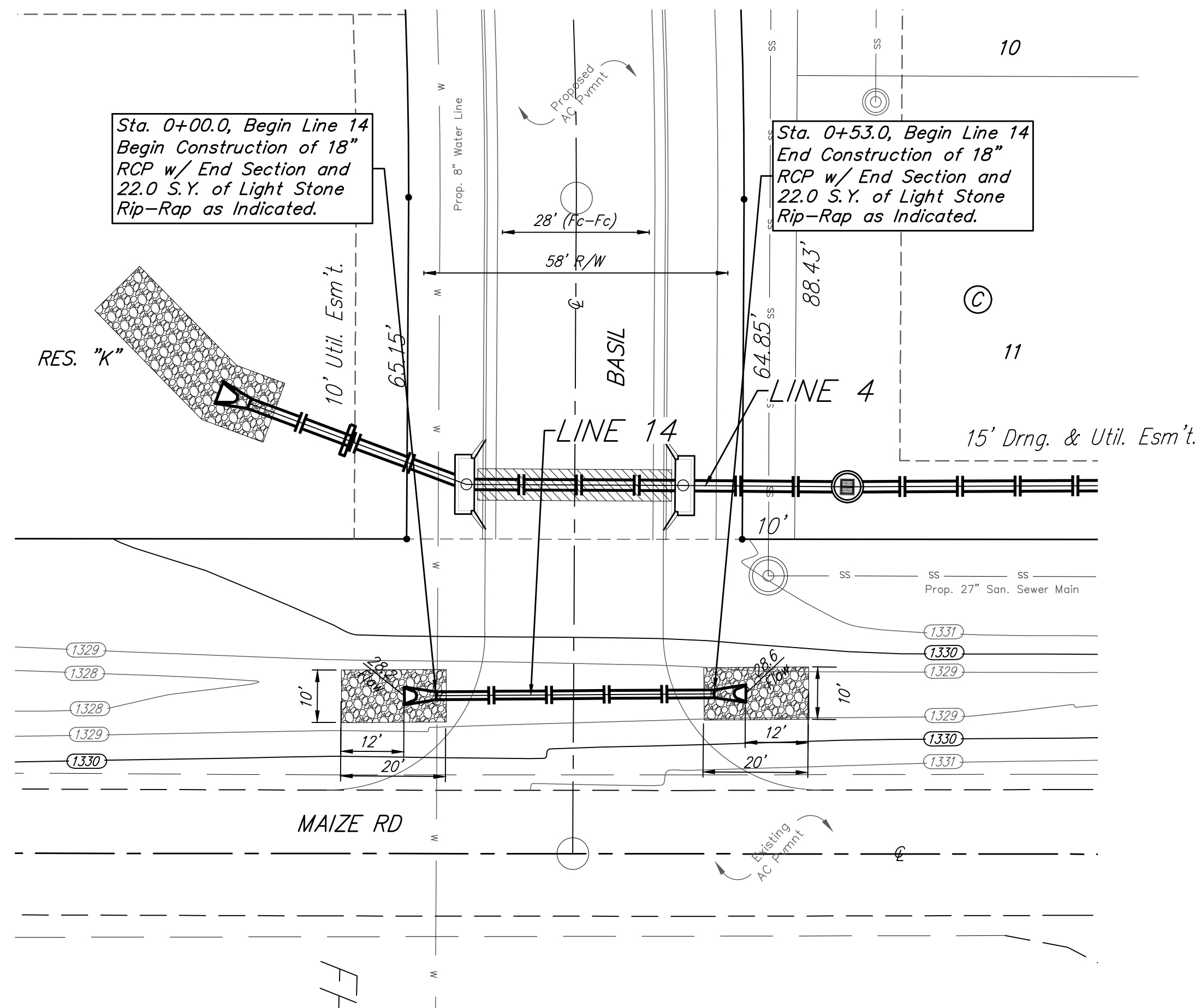
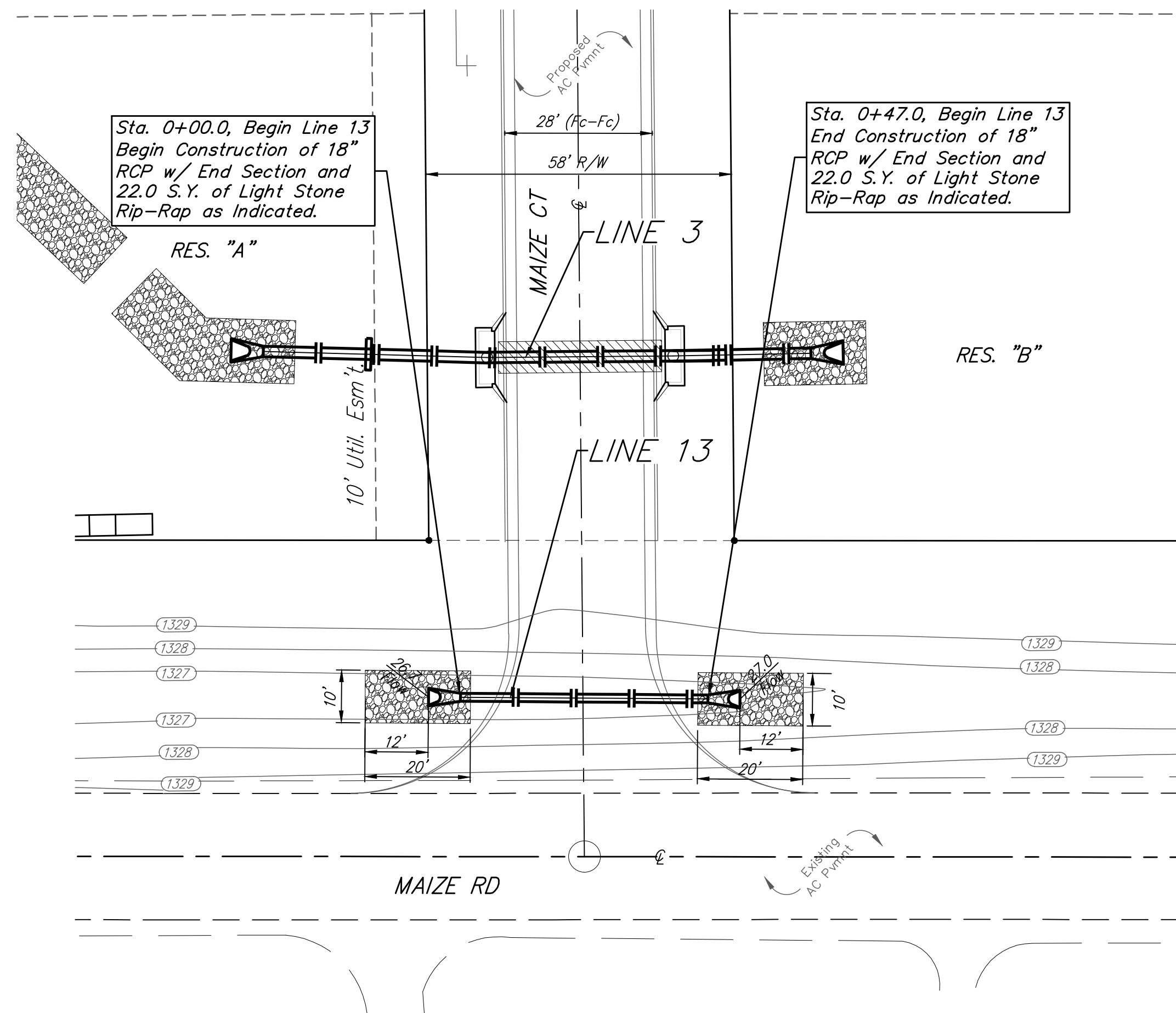


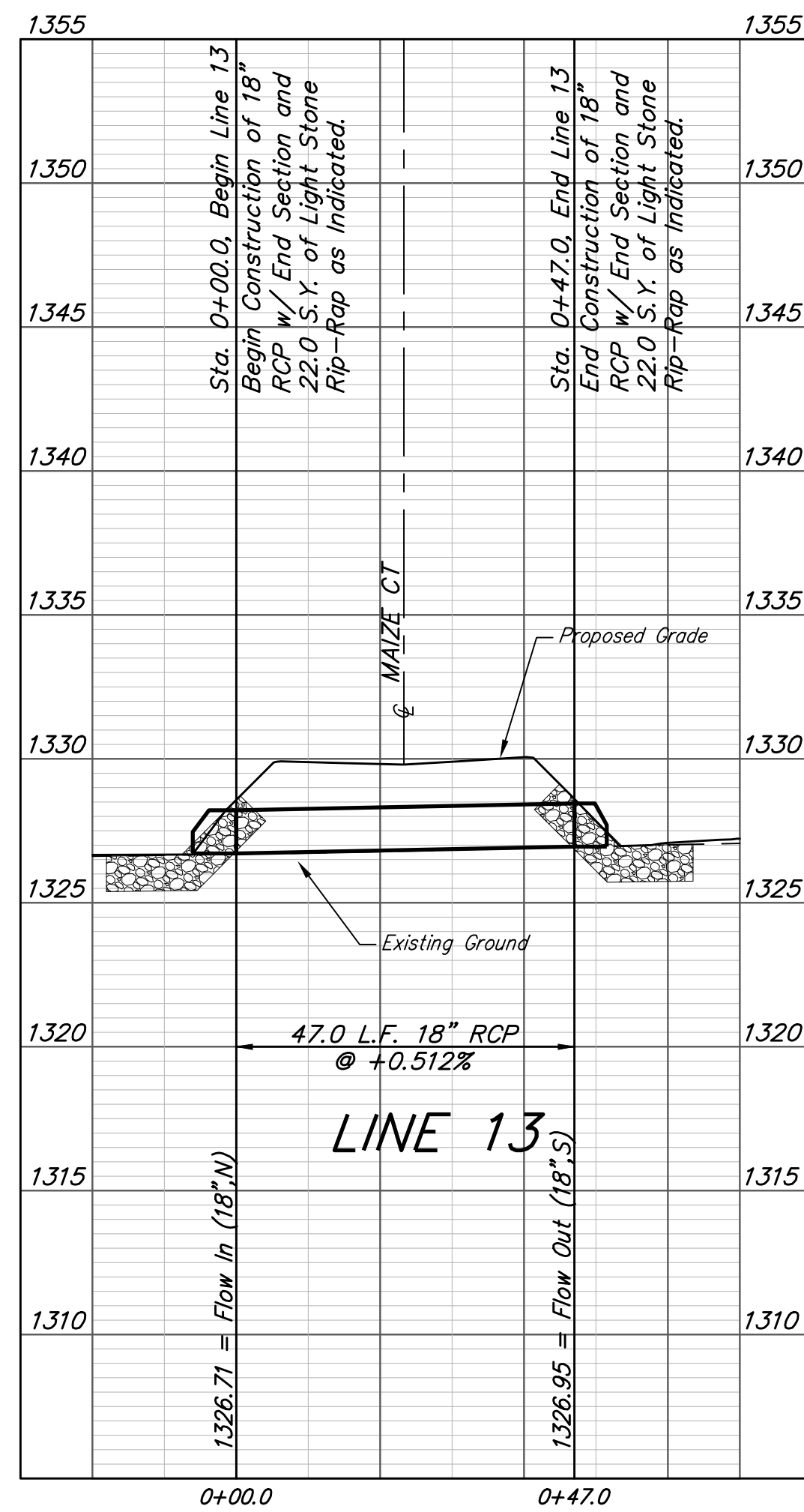
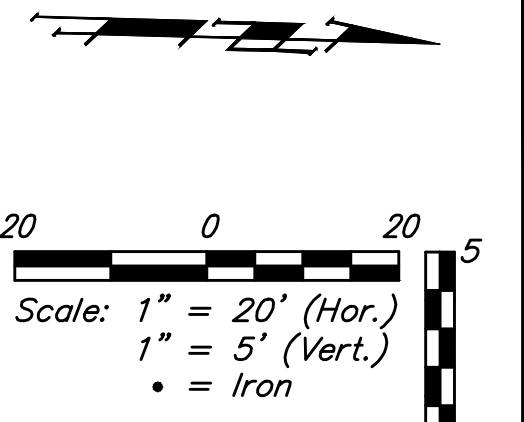
BENCHMARKS:
 CUT OFF "T"-POST, DOWN 0.25'
 13.5' WEST OF POWER POLE
 30' SOUTH OF FIRE HYDRANT
 +/- 200' SOUTH OF CENTERLINE
 DRIVE TO HOUSE # 2816 S MAIZE RD.
 ELEV. = 1328.386 (NAVD88)

SQUARE CUT WITH + IN SW WINGWALL
 OF THE MIDDLE OF THREE CONCRETE
 DITCH CHECKS
 +/- 1125' WEST OF CENTERLINE S.
 MAIZE RD, BEHIND HOUSE #2951 S
 MAIZE RD.
 ELEV. = 1332.383 (NAVD88)

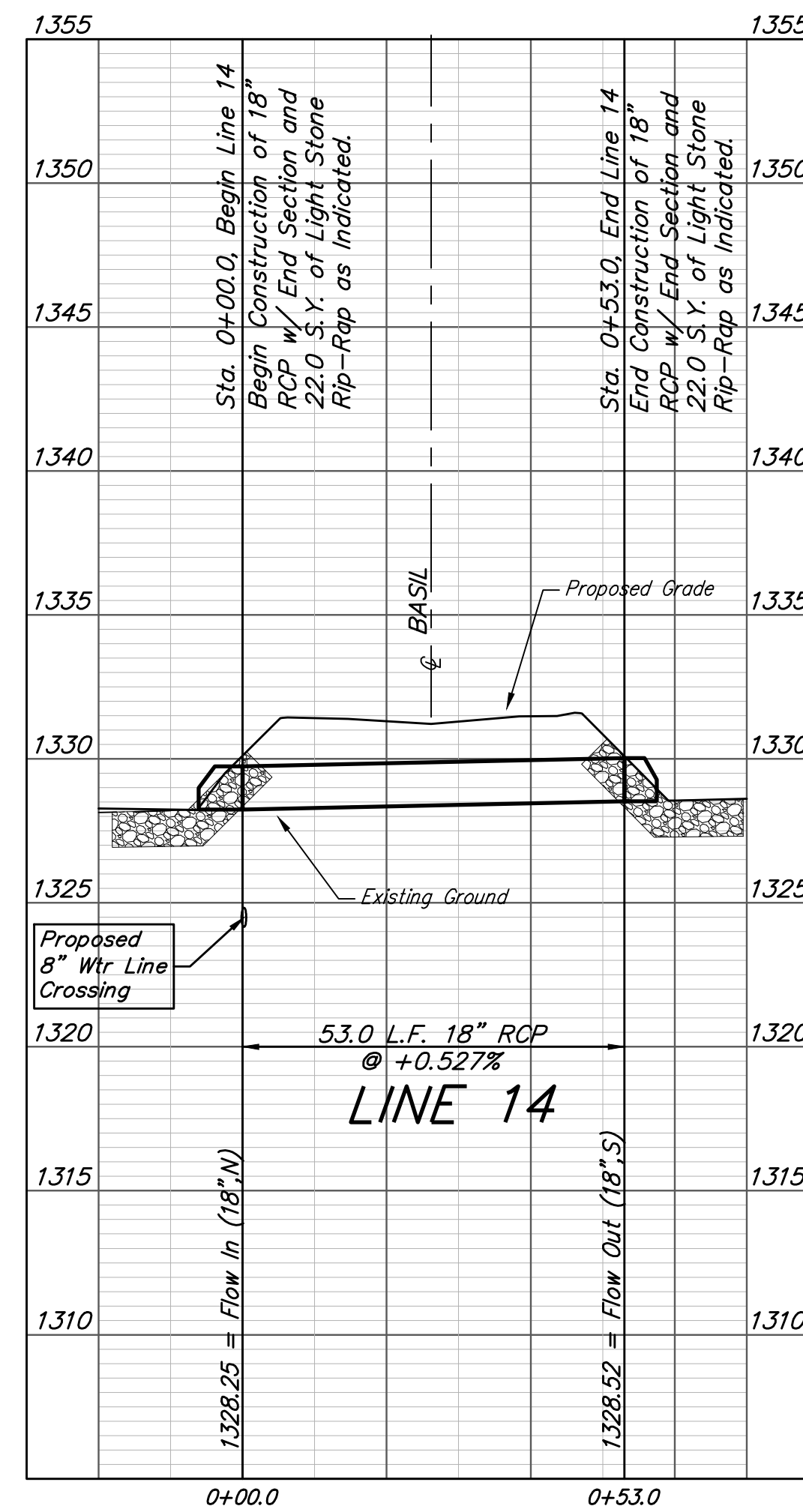
SCHULTE-JOHNSON
 2ND ADDITION



SCHULTE-JOHNSON
 2ND ADDITION



NOTE:
 Contractor to adjust
 end sections as
 necessary to match
 existing ditch slope



**BAUGHMAN
 COMPANY**

315 Ellis St.
 Wichita, KS 67211
 316-262-7271
 BaughmanCo.com

SCHULTE-JOHNSON
 2ND ADDITION

LINE 13 & 14

STORMWATER DRAIN
 IMPROVEMENTS

PROJECT NUMBER:
 468-2019-085425

DESIGN: AEG DRAWN: HWJ

DATE: April 12, 2021

SHEET 19 OF 37

File: C:\Projects\Schulte-Johnson\2nd Addition\Engineering\SWD\SWS Plans.dwg