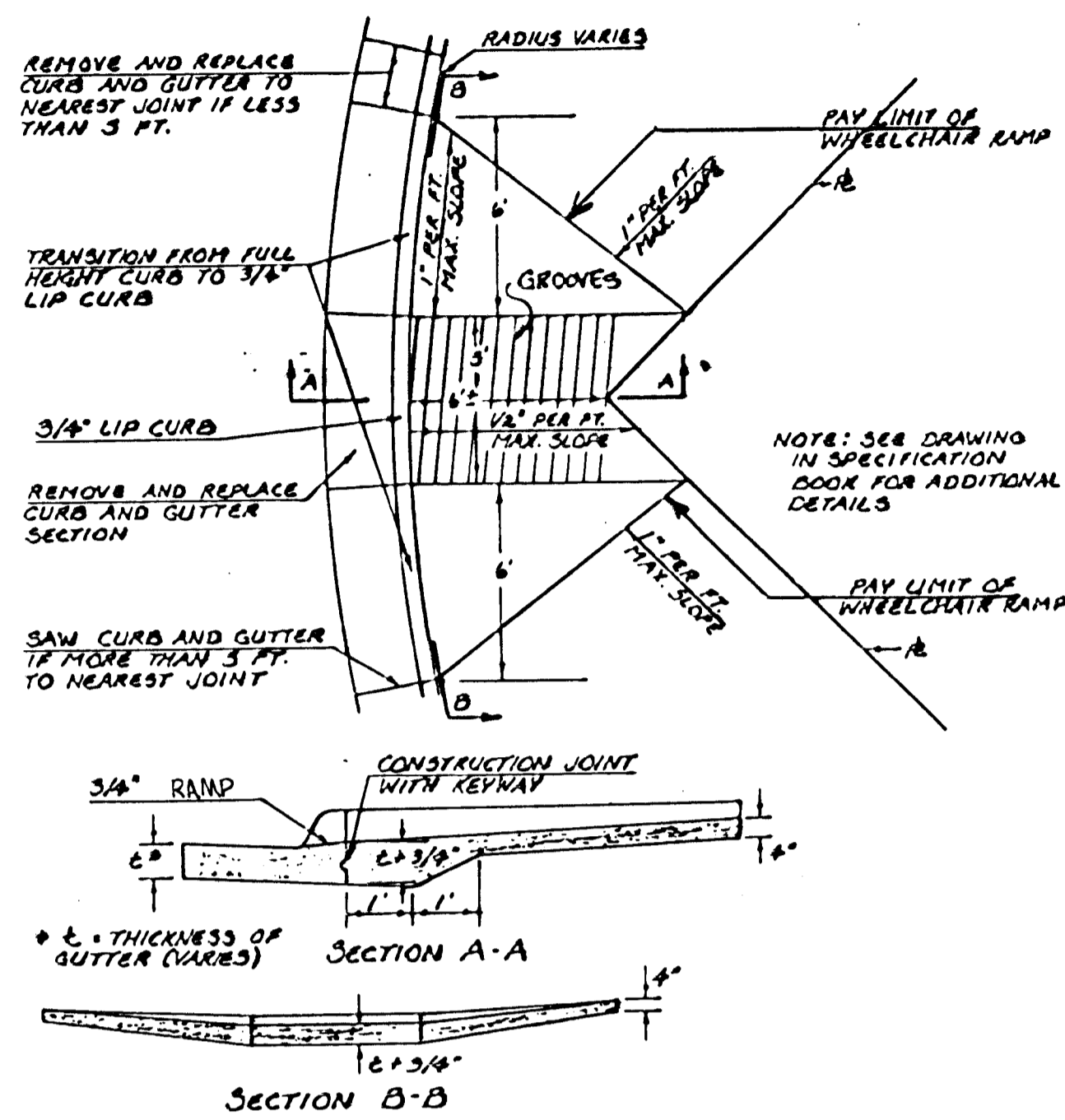
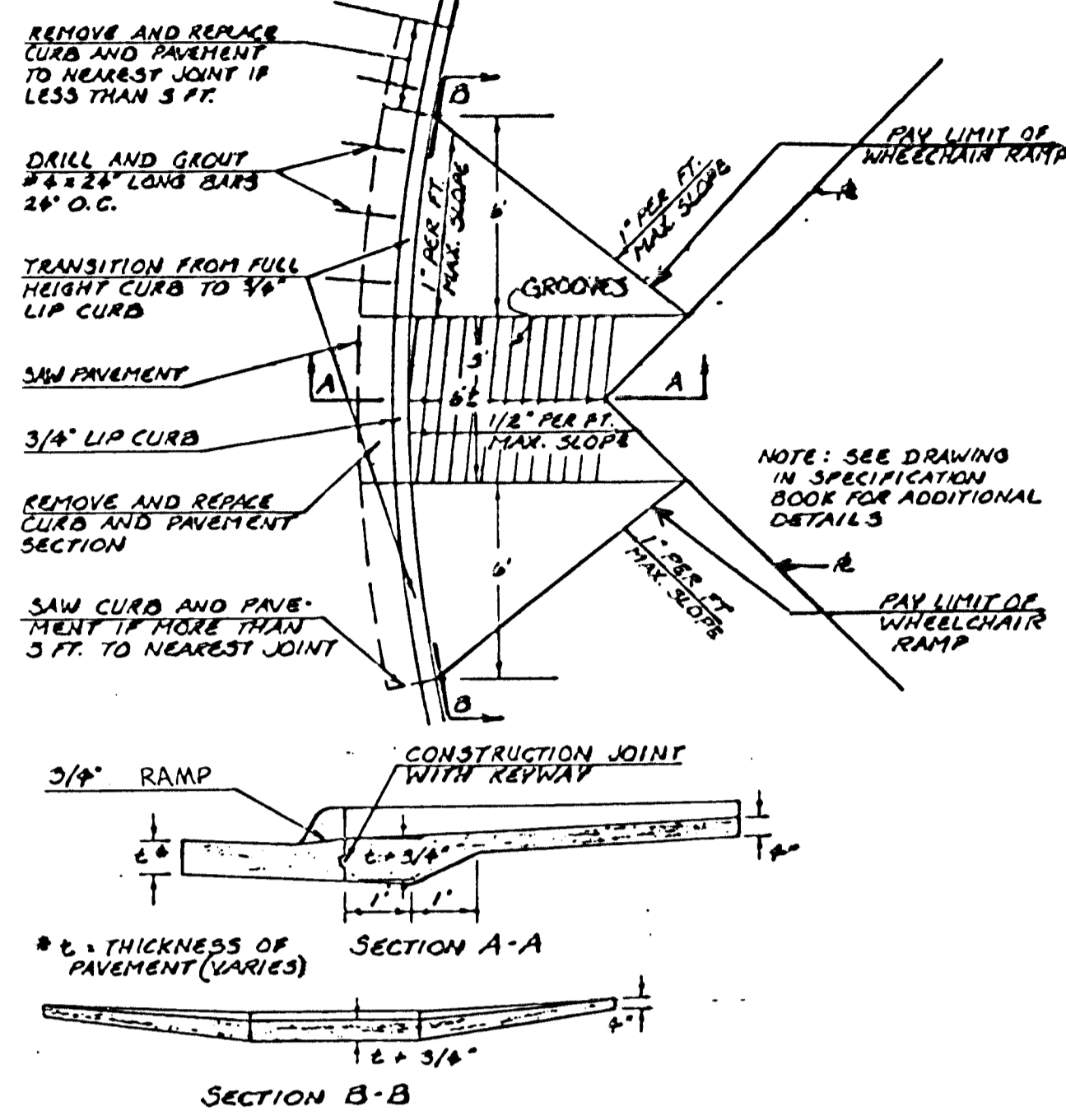


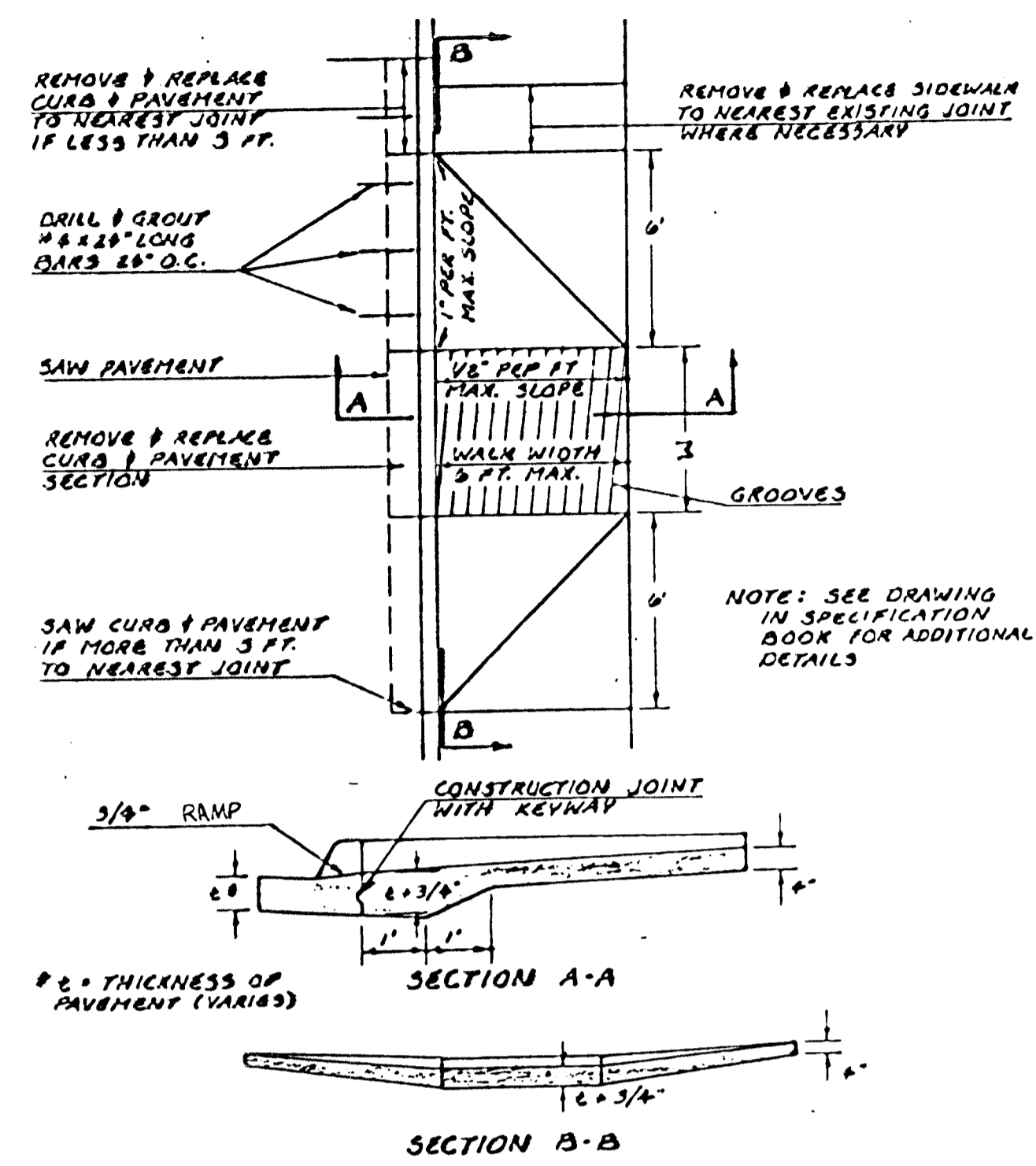
**STANDARD WHEELCHAIR RAMP CONSTRUCTION DETAIL FOR STREET WITH COMBINED CURB AND GUTTER ON RADIUS WITH 6" FROM BACK OF CURB TO PROPERTY CORNER**



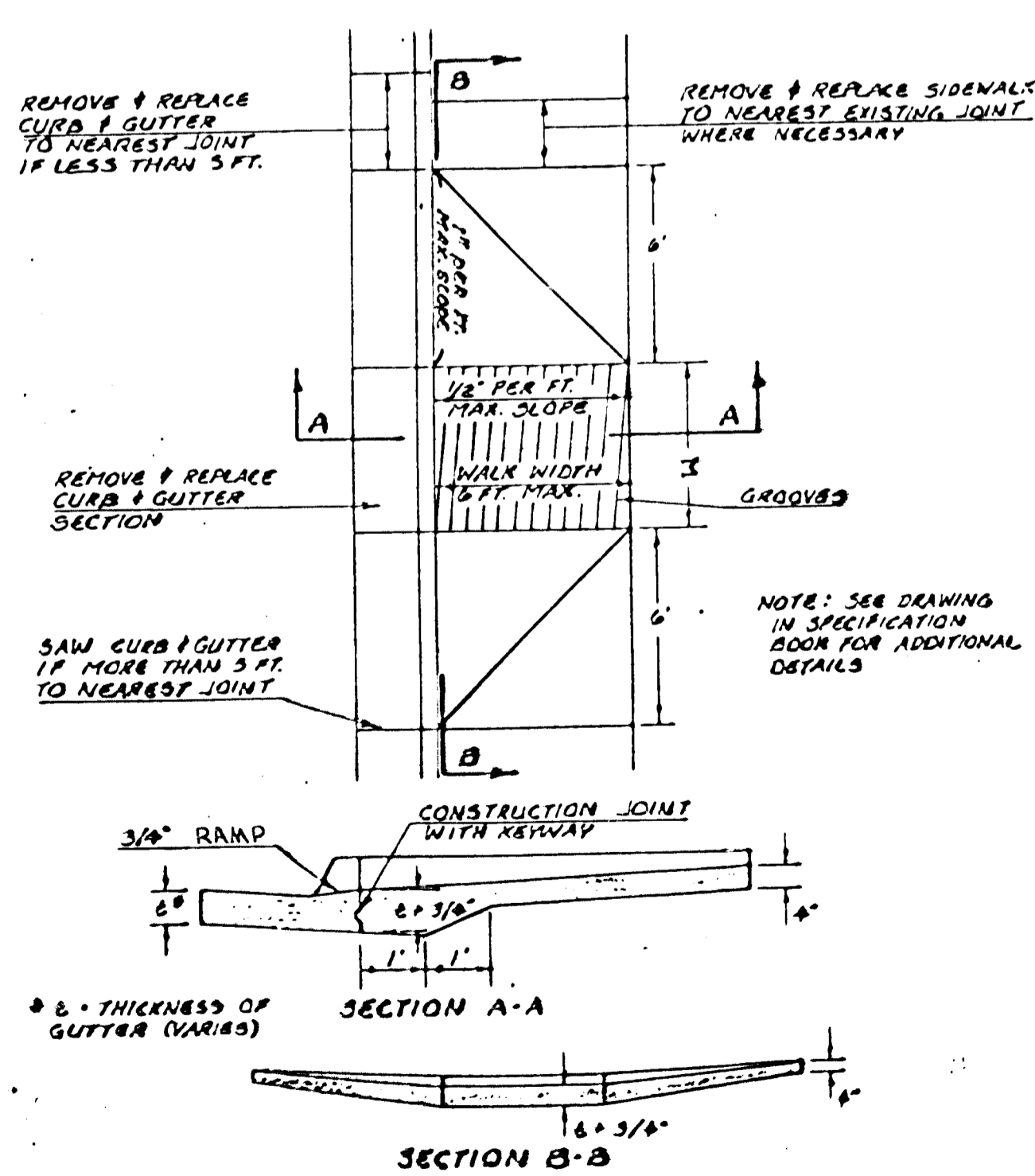
**STANDARD WHEELCHAIR RAMP CONSTRUCTION DETAIL FOR CONCRETE STREETS WITH MONOLITHIC CURB ON RADIUS WITH 6" FROM BACK OF CURB TO PROPERTY CORNER**



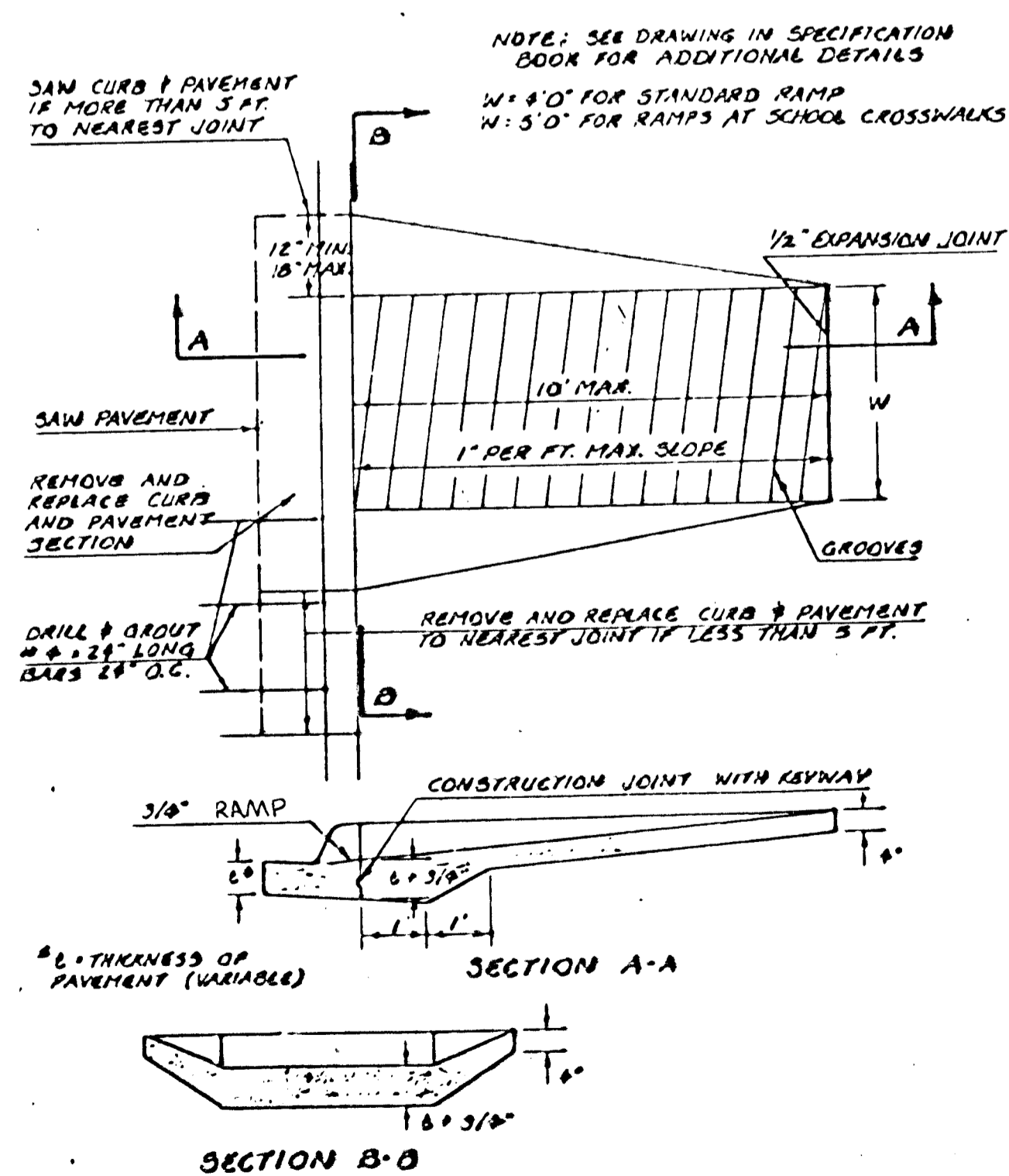
**STANDARD WHEELCHAIR RAMP CONSTRUCTION DETAIL FOR CONCRETE STREETS WITH MONOLITHIC CURB AND FULL WALK**



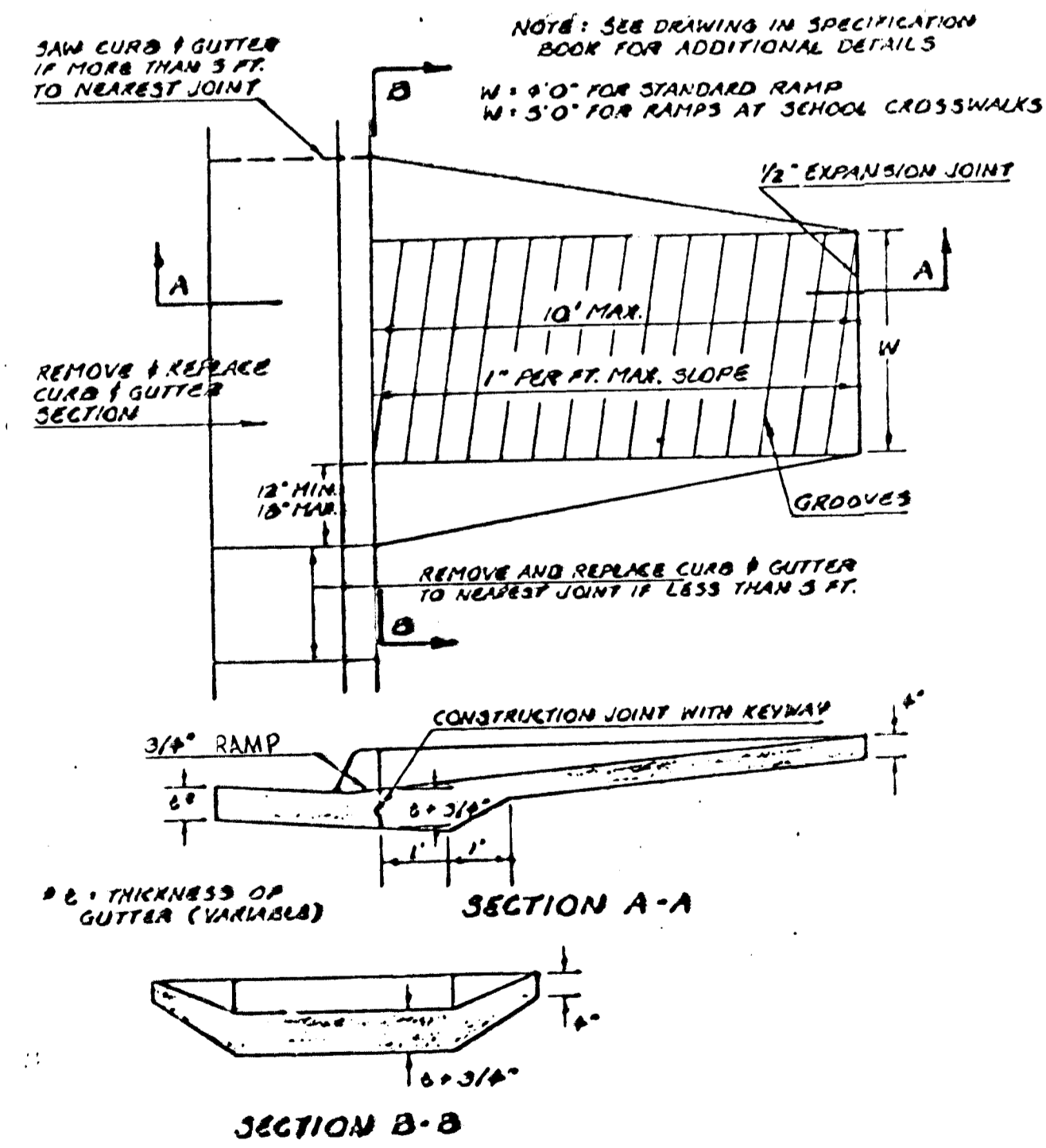
**STANDARD WHEELCHAIR RAMP CONSTRUCTION DETAIL FOR STREETS WITH COMBINED CURB & GUTTER AND FULL WALK**



**STANDARD WHEELCHAIR RAMP CONSTRUCTION DETAIL FOR CONCRETE STREETS WITH MONOLITHIC CURB**



**STANDARD WHEELCHAIR RAMP CONSTRUCTION DETAIL FOR STREETS WITH COMBINED CURB & GUTTER**



NOTE: The cost of all work indicated on this sheet shall be included in the unit price bid for wheelchair ramp which price shall include all costs of removing and reconstructing existing pavement and monolithic curb, compaction of subgrade and necessary area grading.

REVISED 11-30-92 JKB

WHEELCHAIR RAMP DETAILS

PROJECT NO.

INDEX NO. 618058

SHEET 8 OF 12