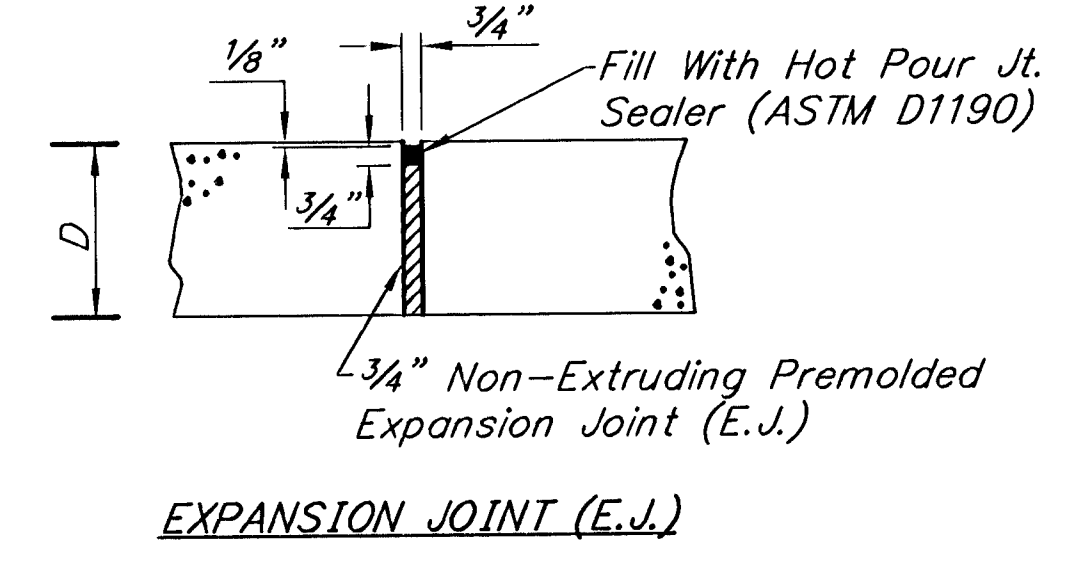
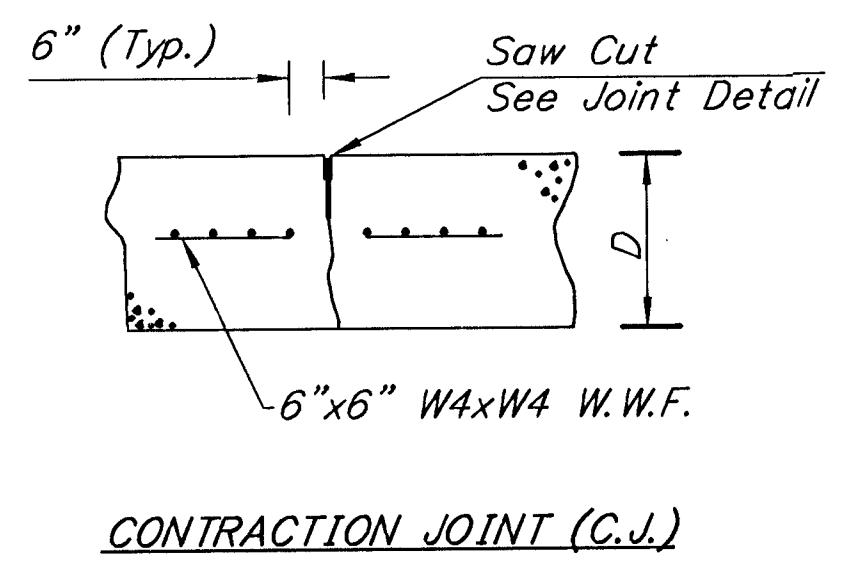
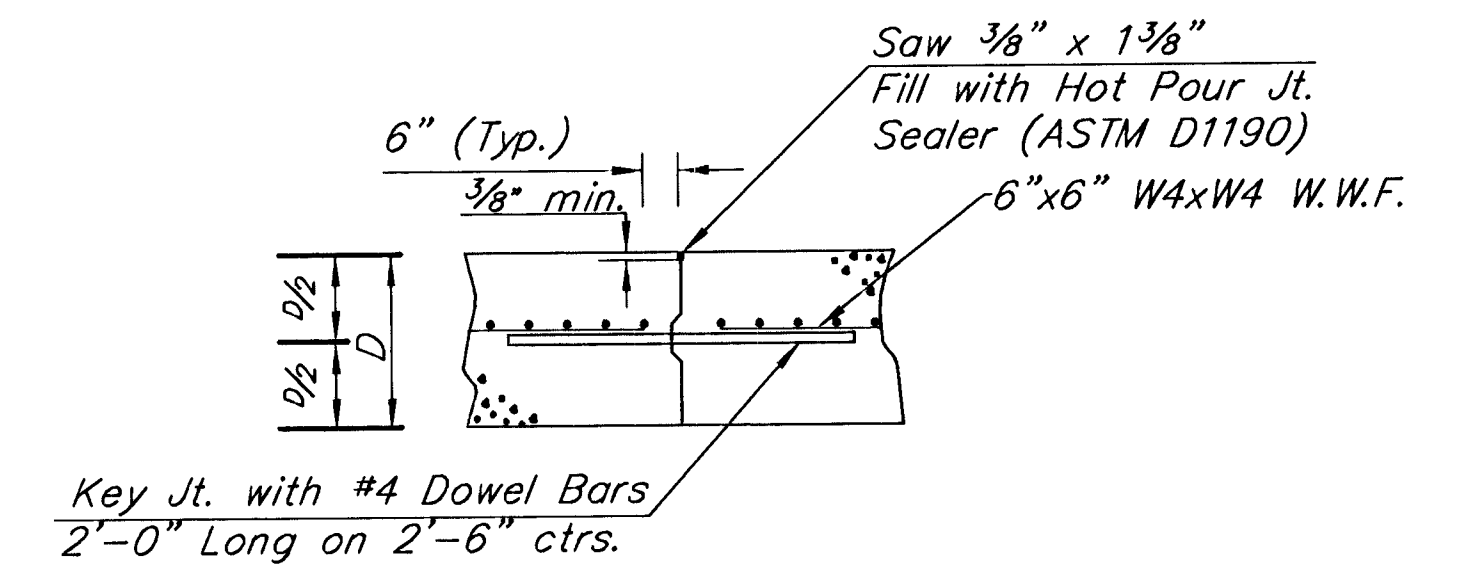
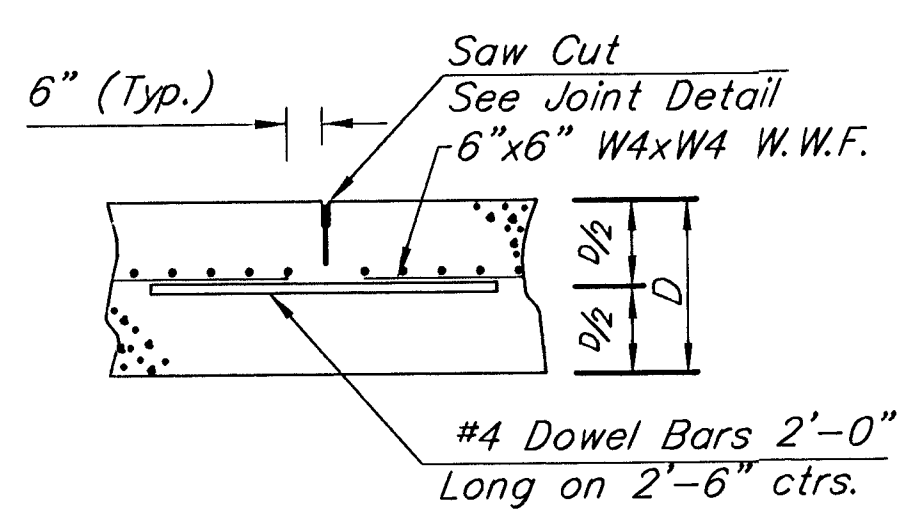
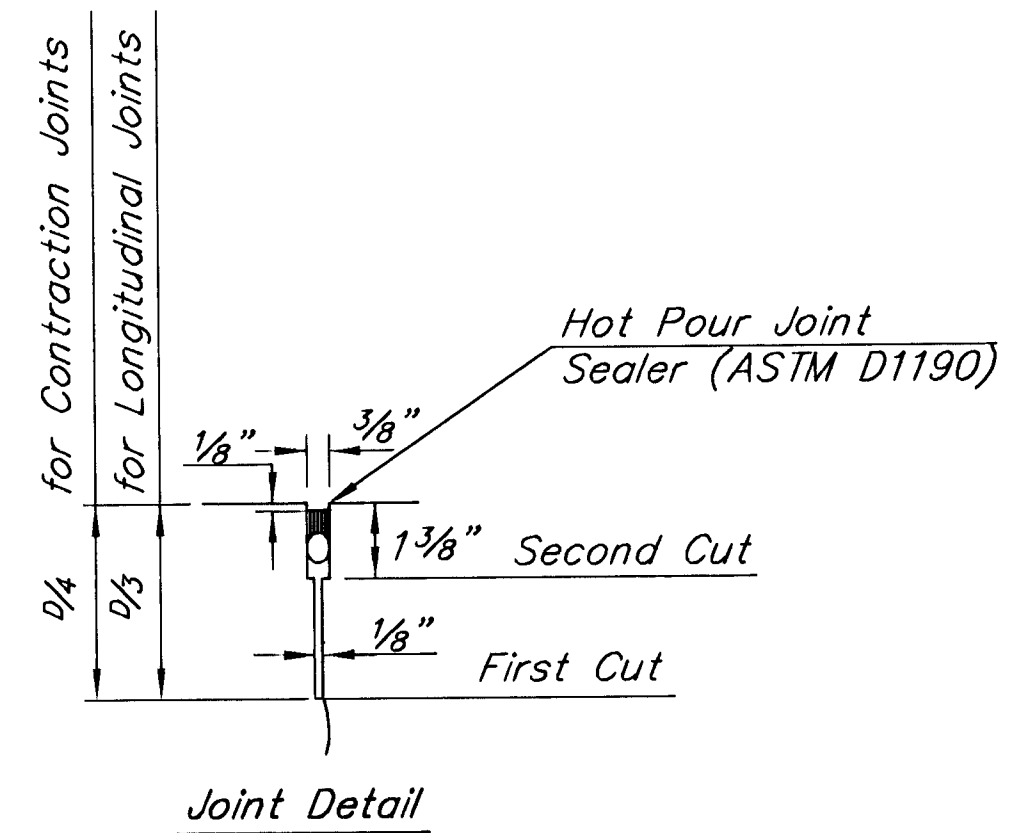


\* Key Joint and #4 x 2'-0" Dowel Bars @ 2'-6" Ctrs.



Station	Joint Type	Offset
101+82.44	L.J.	+87.26
102+00	L.J.	+02.26
	L.J.	+17.26
	L.J.	+32.26
	L.J.	+47.26
	L.J.	+62.26
	L.J.	+77.26
	L.J.	+92.26
103+00	L.J.	+07.26

PAVEMENT JOINT LOCATIONS

CITY OF WICHITA  
FIRST STREET  
PAVEMENT JOINT DETAILS

**Booker** ASSOCIATES INC.  
OF KANSAS  
Wichita Kansas

SCALE: DATE: MAY, 1997 DWG. NO.: K9540

SURV. PLOT CADD DES. DR. TR. CKD. APP. Last Plot-Date: Today Plot-Time: HH:MM:SS