

### SUMMARY OF QUANTITIES

ORNAMENTAL TREES			
QTY.	COMMON NAME	BOTANICAL NAME	SIZE (MIN.)
8	Hedge Maple "Queen Elizabeth"	Acer campestre "Queen Elizabeth"	2" Cal. B&B
2	Eastern Redbud	Cercis canadensis	1 1/2" Cal. B&B
5	Oklahoma Redbud	Cercis reniformis "Oklahoma"	1 1/2" Cal. B&B
3	Goldenrain Tree	Koelreuteria paniculata	2" Cal. B&B
4	Coralburst Crabapple	Malus sp. "Coralburst"	1 1/2" Cal. B&B
5	Prairifire Crabapple	Malus sp. "Prairifire"	1 1/2" Cal. B&B
9	Japanese Tree Lilac	Syringa reticulata	2" Cal. B&B
2	Spring Snow Crabapple	Malus sp. "Spring Snow"	1 1/2" Cal. B&B
3	Snowdrift Crabapple	Malus sp. "Snowdrift"	1 1/2" Cal. B&B

### SUMMARY OF QUANTITIES

ORNAMENTAL SHRUBS			
QTY.	COMMON NAME	BOTANICAL NAME	SIZE (MIN.)
16	Dwarf Kelsey Dogwood	Cornus sericea "Kelsey"	2 Gal Cont.
16	Emerald Mound Honeysuckle	Lonicera xylosteum "Compacta"	2 Gal Cont.
14	San Jose Juniper	Juniperus chinensis "San Jose"	2 Gal Cont.
14	Shirobana Spirea	Spiraea bumalda "Shirobana"	2 Gal Cont.
8	Crimson Pygmy Barberry	Berberis thunbergii atro. "Nana"	2 Gal Cont.
14	Compact Burning Bush	Euonymus alatus "Compacta"	2 Gal Cont.
33	Dwarf Mugho Pine	Pinus mugho "Compacta"	2 Gal Cont.
36	Anthony Waterer Spirea	Spiraea bumalda "Anthony Waterer"	2 Gal Cont.

### GENERAL NOTES

**TREES:** The Contractor shall furnish and install plant materials as provided by the Standard Specifications (1990 Edition) and details this sheet.

**PEAT MOSS:** Peat Moss shall be thoroughly incorporated into well pulverized backfill soil. The rate of application, based on bagged (40 lb.) peat moss, shall be as follows:

- Ground cover beds - 25.0 bags/1000 Sq. Ft.
- Each bare root and potted plant (except ground cover) - 1.0 bags
- Each plant with a 12"-16" soil ball - 1.5 bags
- Each plant with a 18"-24" soil ball - 2.5 bags

Peat Moss will be measured by the bag of 40 pounds per each bag.

**FURNISHING AND PLANTING PLANT MATERIALS:**

Mulching shall be loosely and uniformly applied to each tree and to each shrub bed to a min. depth of 4" using shredded mulch or commercially available chipped wood or pine straw.

Preparation of shrub beds and furnishing and placing wood mulch shall be Subsidiary to planting trees and shrubs.

**SEEDING AND SODDING:** All disturbed areas shall be seeded or sodded, mulched and fertilized. Seed and Fertilizer rates are shown on seeding sheets.

**TREE TIE SYSTEM:**

Provide screw type earth anchors in conjunction with tree guying system. Minimum anchor size shall be 2" Helix, 24" x 3/8" shaft, 1 1/2" dia. eye.

Furnishing and installation of tree ties shall not be paid directly, but shall be Subsidiary to planting trees.

**FERTILIZER TABLETS:**

Fertilizer shall be a commercially prepared tablet, tightly-compressed and formulated to be long-lasting (2 year min.) with a slow-release analysis of 20-10-5 derived from urea-formaldehyde, calcium phosphates, potassium sulfate, calcium sulfate, ferrous sulfate and meeting the following minimum guaranteed analysis:

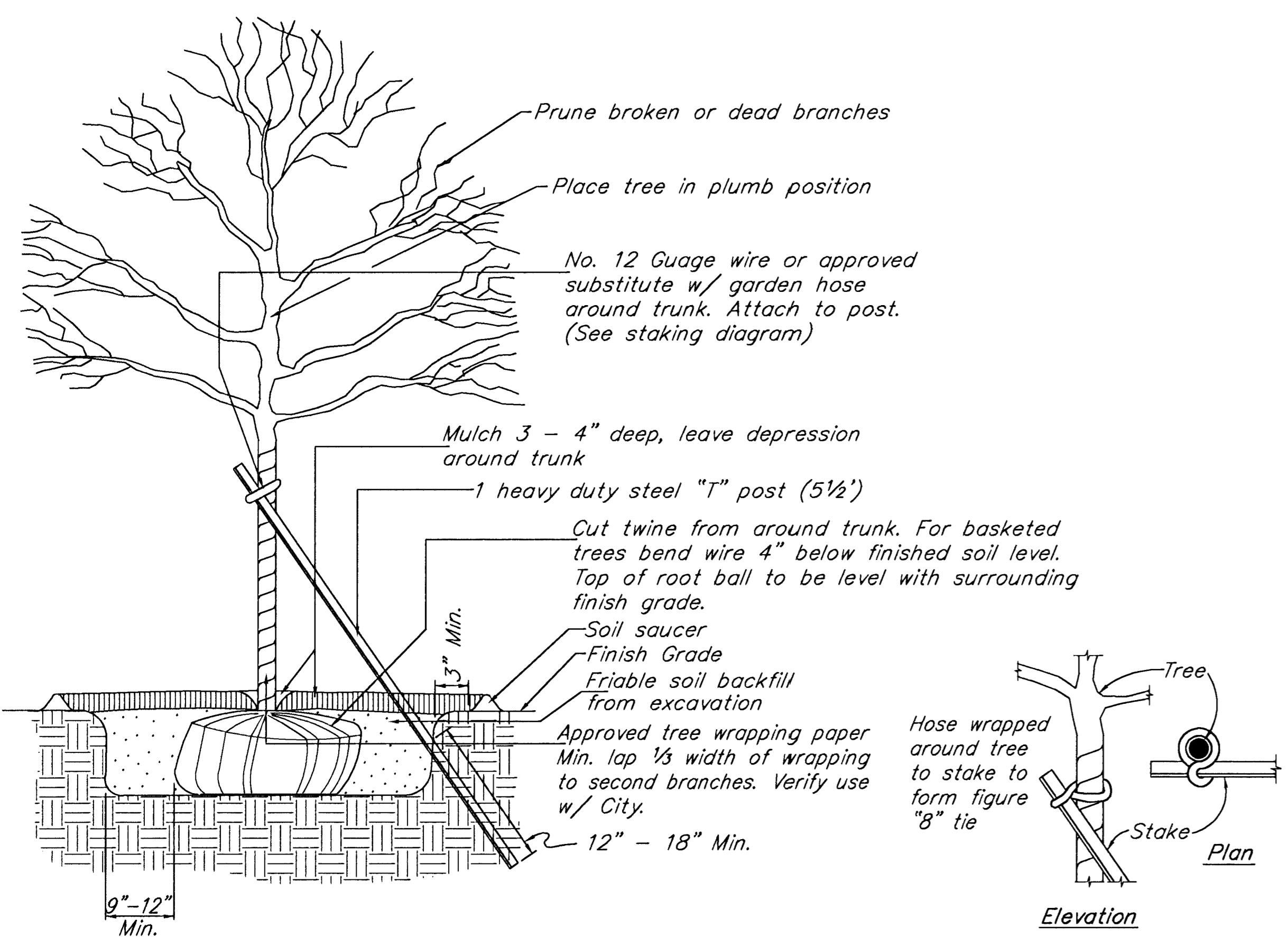
- Total Nitrogen (N)\* - 20.0%
- 7% Water Soluble Organic Nitrogen
- 13% Water Insoluble Nitrogen
- Available Phosphoric Acid (P<sub>2</sub>O<sub>5</sub>) - 10.0%
- Soluble Potash (K<sub>2</sub>O) - 5.0%
- Calcium (Ca) - 2.6%
- Sulfur (S) - 1.6%
- Iron (Fe) - 0.35%

\*17% slowly available nitrogen from urea-formaldehyde. Tablets shall be 21 gram min. weight.

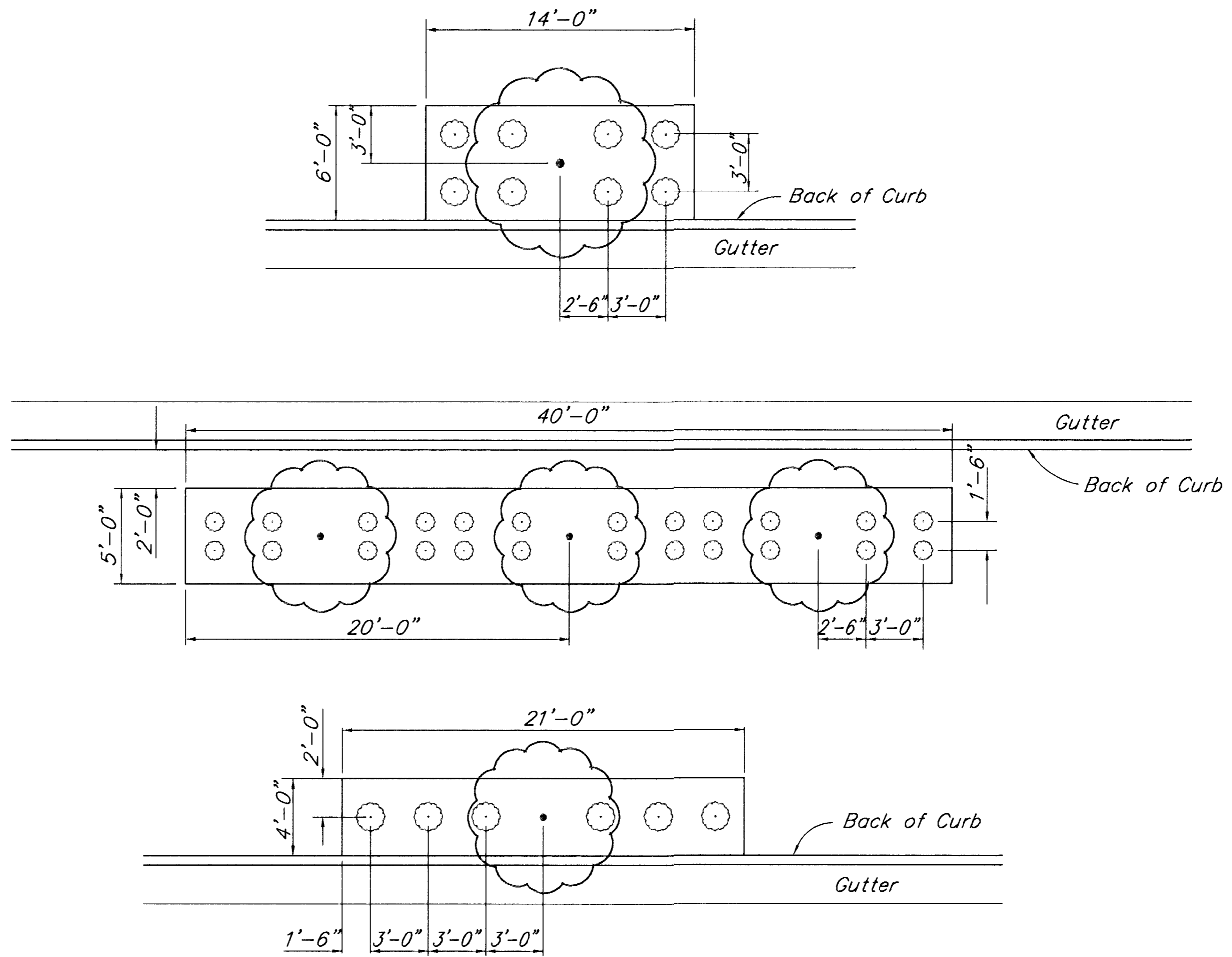
Tablets shall be uniformly placed halfway up the root ball about 1" from the root tips. Do not place tablets in the bottom of the hole. The rate of application shall be the number of 21 gram tablets per each plant as shown below:

- Each bare root plant - 3 Tablets
- Each plant with a 16" soil ball - 8 Tablets
- Each plant with a 18" soil ball - 9 Tablets
- Each plant with a 20" soil ball - 10 Tablets
- Each plant with a 24" soil ball - 12 Tablets

Furnishing and application of fertilizer tablets shall not be paid directly, but shall be Subsidiary to planting trees and shrubs.



Deciduous Trees: 2 1/2" Caliper & Smaller  
Evergreen Trees: 6' Height & Smaller



### PLANTER DETAILS

CITY OF WICHITA	
FIRST STREET IMPROVEMENTS	
LANDSCAPE SUMMARY AND NOTES	
SCALE N.T.S.	DATE MAY, 1997
DWS. NO. K9540	

SURV. PLOT CADD DES. K.M. DR. M.G.C. TR. CKD. K.M. APP. S.K.B. SHEET NO. 27 TOTAL SHEETS 35