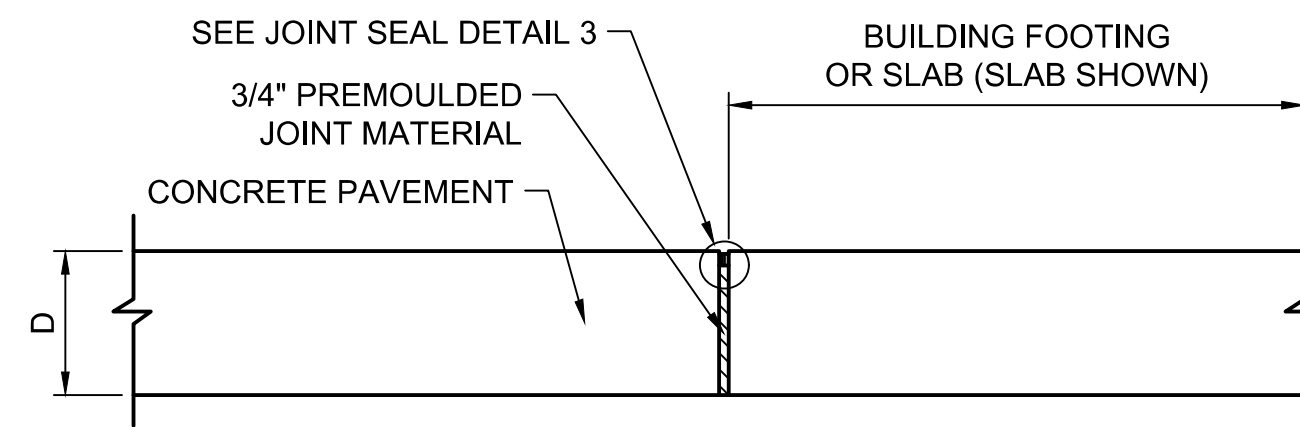
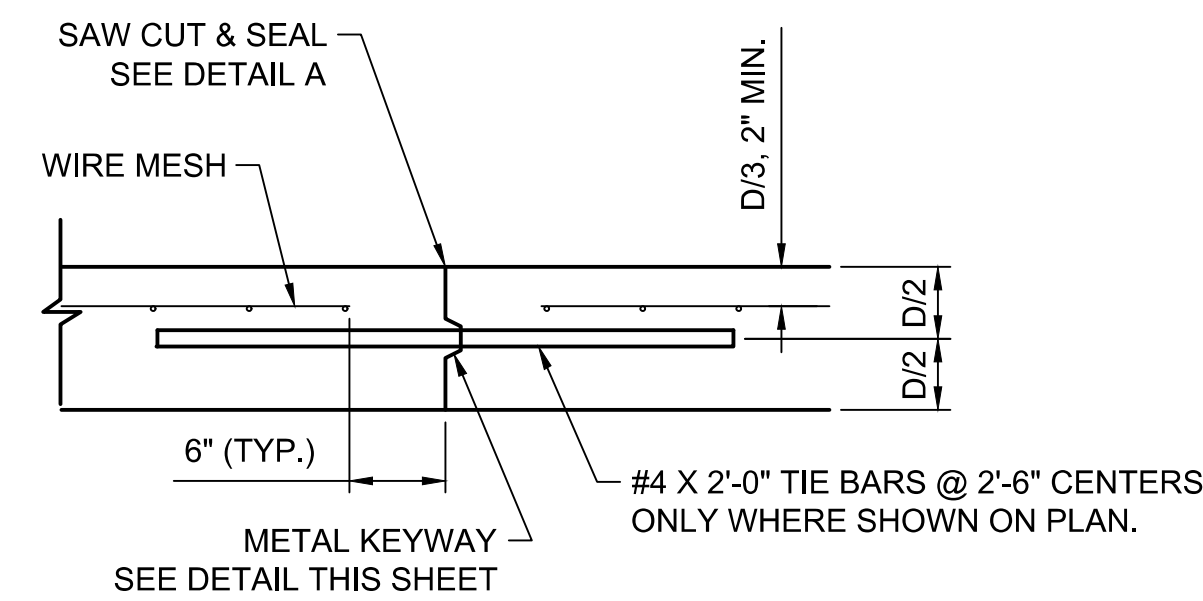


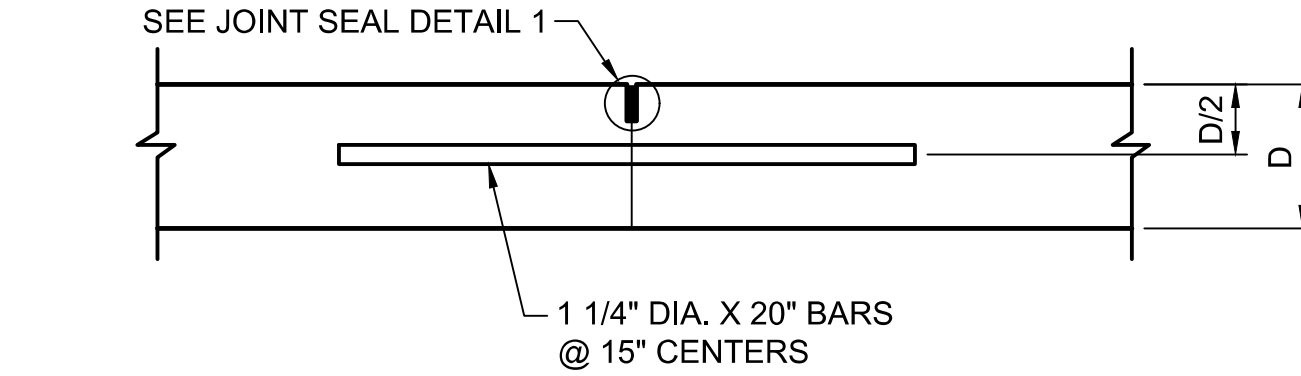
THICKENED EDGE JOINT DETAIL (T)
NOT TO SCALE



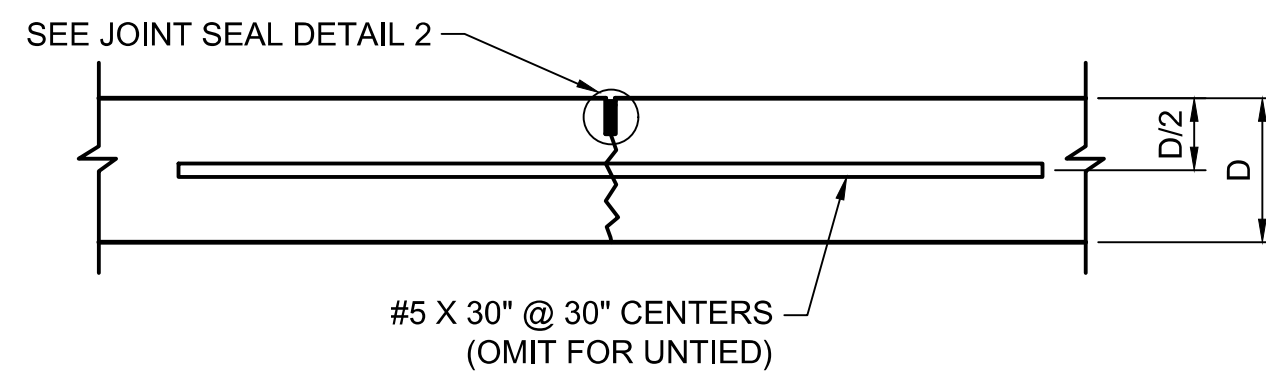
BUTT JOINT DETAIL (B)
NOT TO SCALE



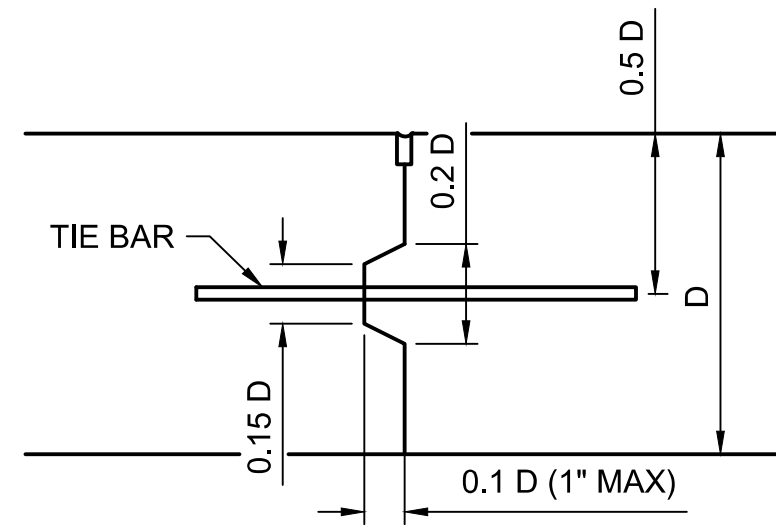
KEYED CONSTRUCTION JOINT (E, EU)
NOT TO SCALE



DOWELED CONSTRUCTION JOINT DETAIL (D)
NOT TO SCALE

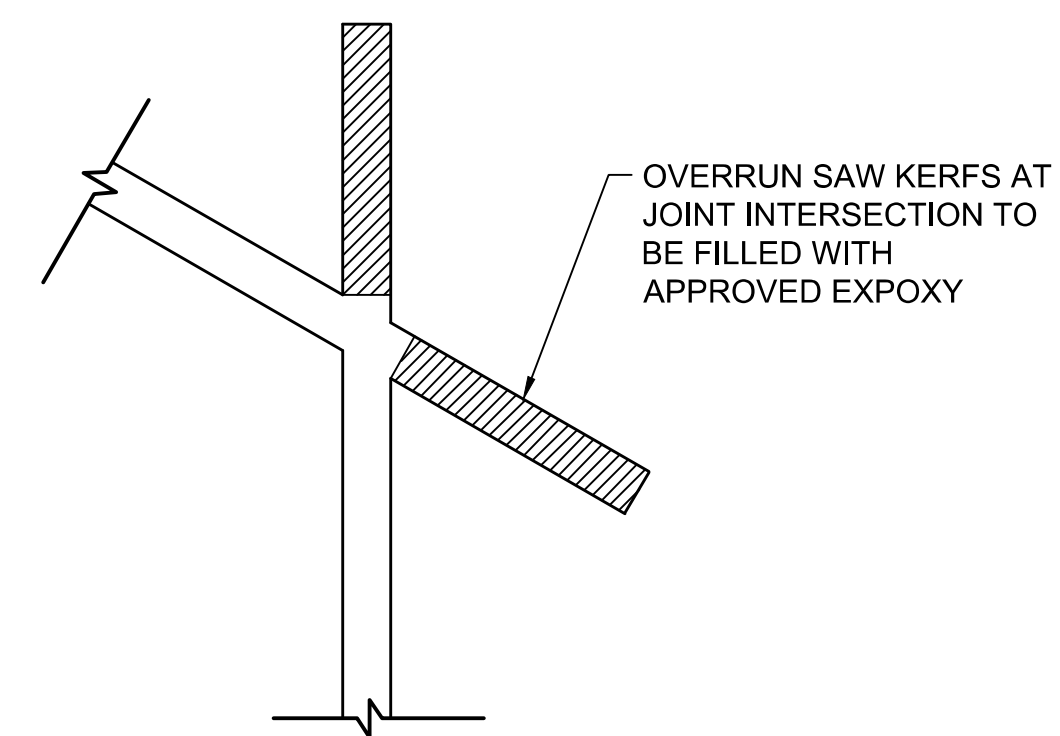


SAWED CONTRACTION JOINT DETAIL (G, GU)
NOT TO SCALE

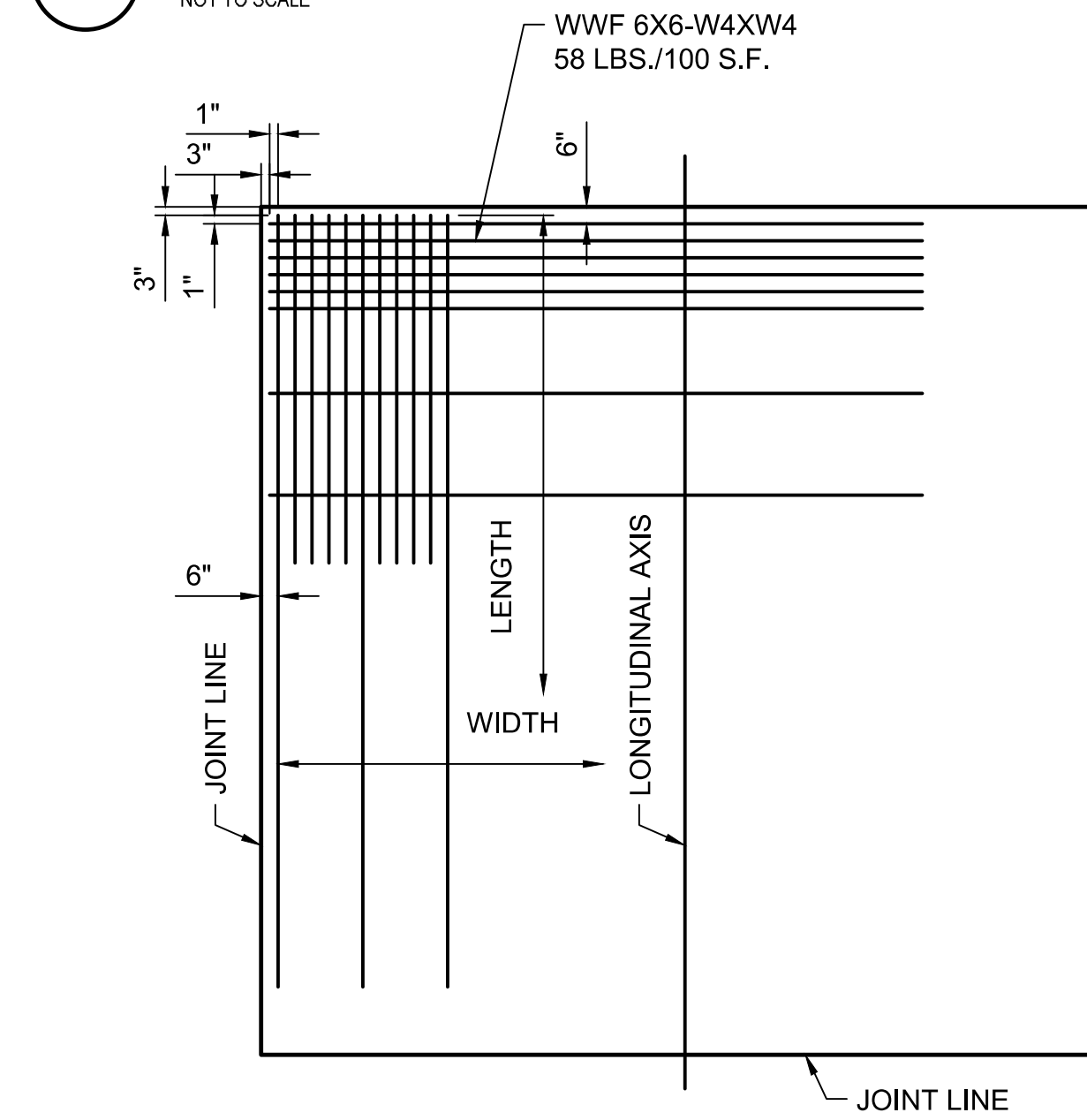


NOTE: SNAP-IN LEG OR OTHER APPROVED DESIGNS MAY BE USED IN LIEU OF WELDED LEG.

METAL KEYWAY DETAIL
NOT TO SCALE

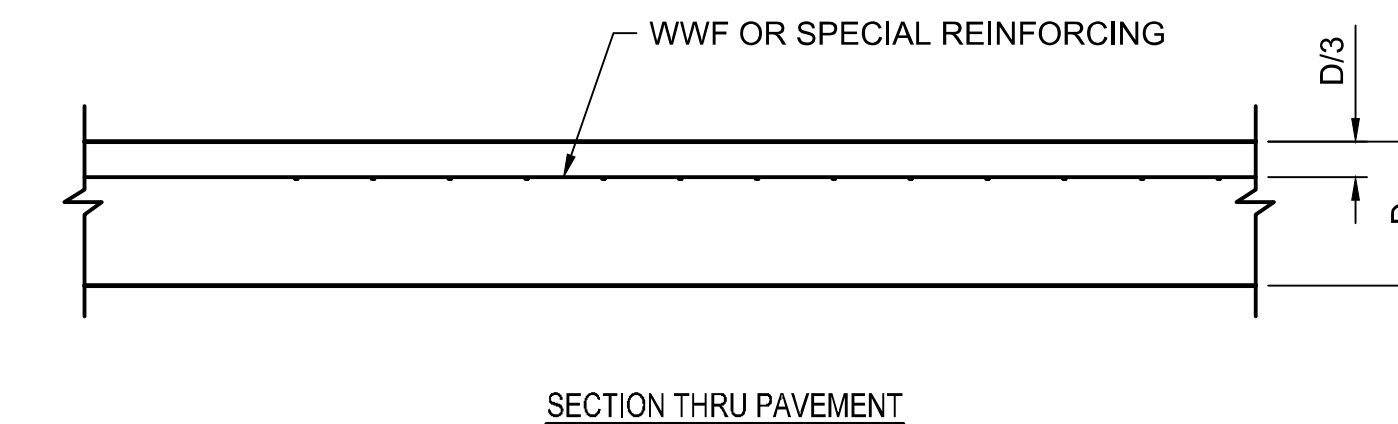


KERF DETAIL
NOT TO SCALE

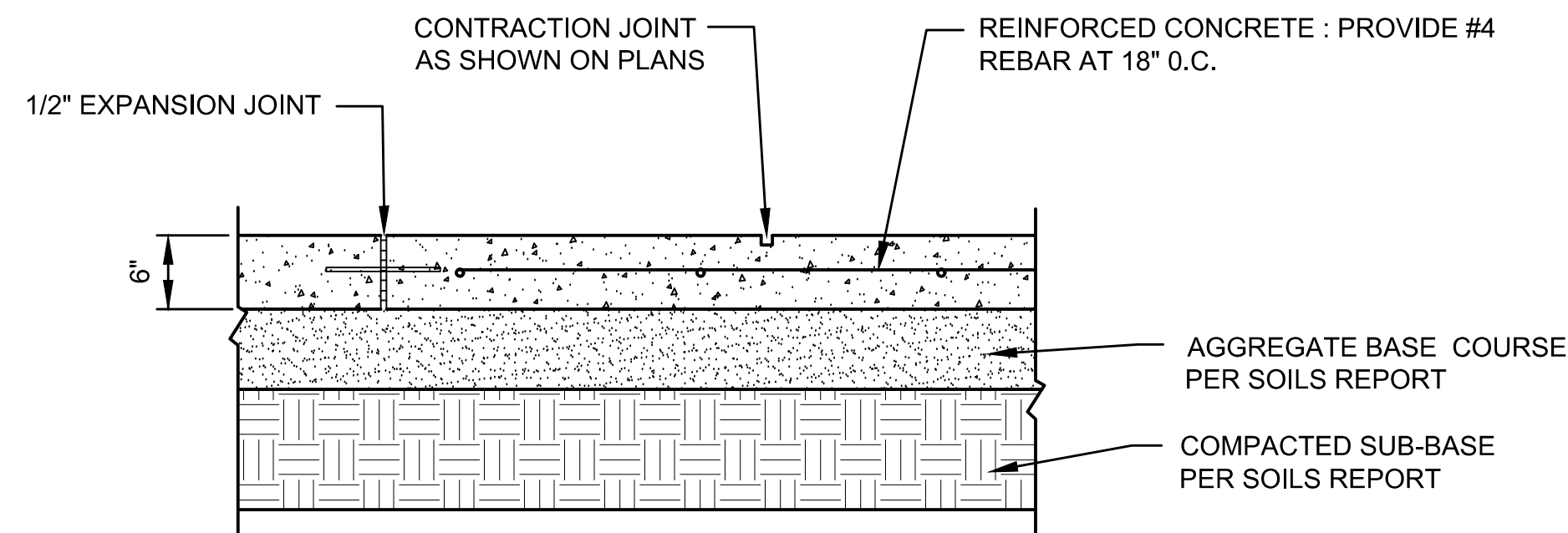


WELDED WIRE FABRIC NOTES

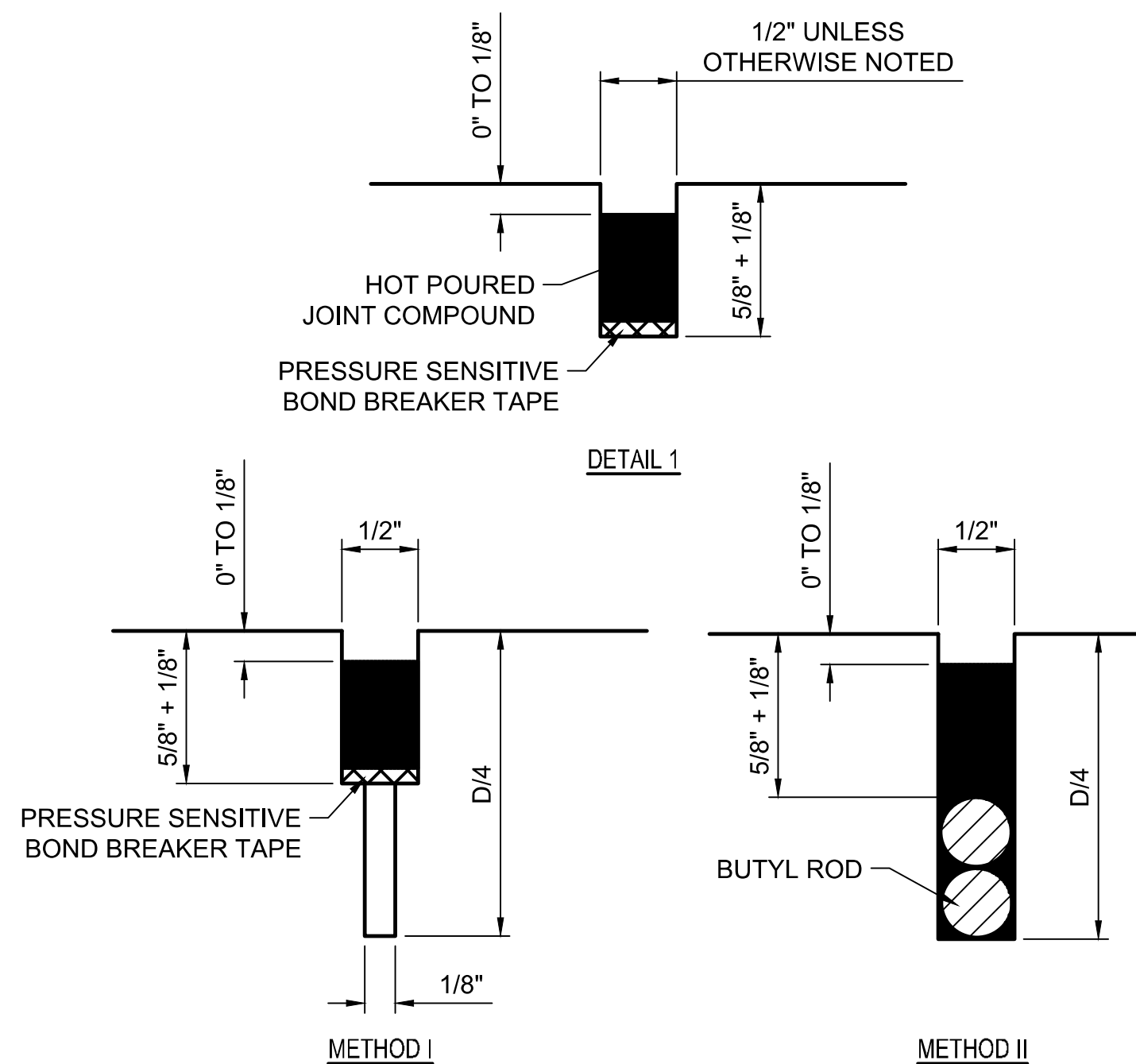
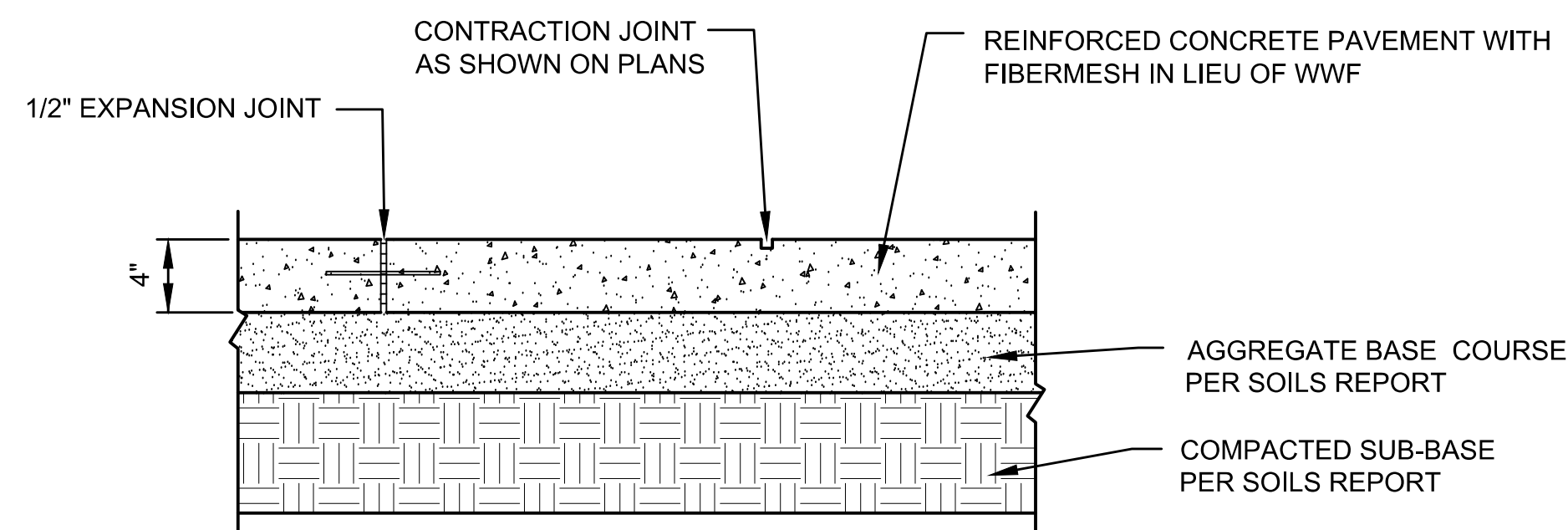
1. REINFORCING FABRIC SHALL BE FURNISHED IN SHEETS. THE CONTRACTOR MAY PROVIDE A DIFFERENT PATTERN OF FABRIC AS LONG AS MINIMUM OF 0.08 SQ. IN./FT. OF REINFORCING IS PROVIDED IN EACH DIRECTION.
2. WELDED WIRE FABRIC SHALL BE CUT IN THE FIELD AS REQUIRED TO CONFORM TO THE SHAPE OF THE PANEL TO BE REINFORCED.
3. FABRIC SHEETS SHALL BE OVERLAP SPLICED AS APPLICABLE AND AS DETAILED BELOW.



TYPICAL SLAB REINFORCING DETAIL
NOT TO SCALE



NOTE: CONSTRUCT SIDEWALKS PER CITY OF WICHITA STANDARD SPECIFICATIONS



JOINT SEAL DETAILS
NOT TO SCALE

Saved: 02-05-2021 2:27:22 PM by ROY, THOMAS
 Plot Scale: 1:1 03-04-2021 4:23:19 PM by ROY, THOMAS
 U:\Wichita-Facility\180537\000\Drawings\Plans\180537-000-CC506



4			
3			
2			
1	CONSTRUCTION DOCUMENTS		03-04-21
No.	Revision	By	Date
CITY OF WICHITA, KANSAS			
SITE DETAILS			
STANDBY POWER GENERATION - SOUTHEAST PUMP STATION			
Professional Engineering Consultants, P.A. 303 S. TOPEKA • WICHITA, KANSAS 67202 316-262-2691 • FAX 316-262-3003			
Designed by	NLS	Job No.	180537-000
Drawn by	RFT	Checked by	MEB
Date	MARCH 2021	Dwg No.	CC506