

DUCTLESS SPLIT SYSTEM SCHEDULE

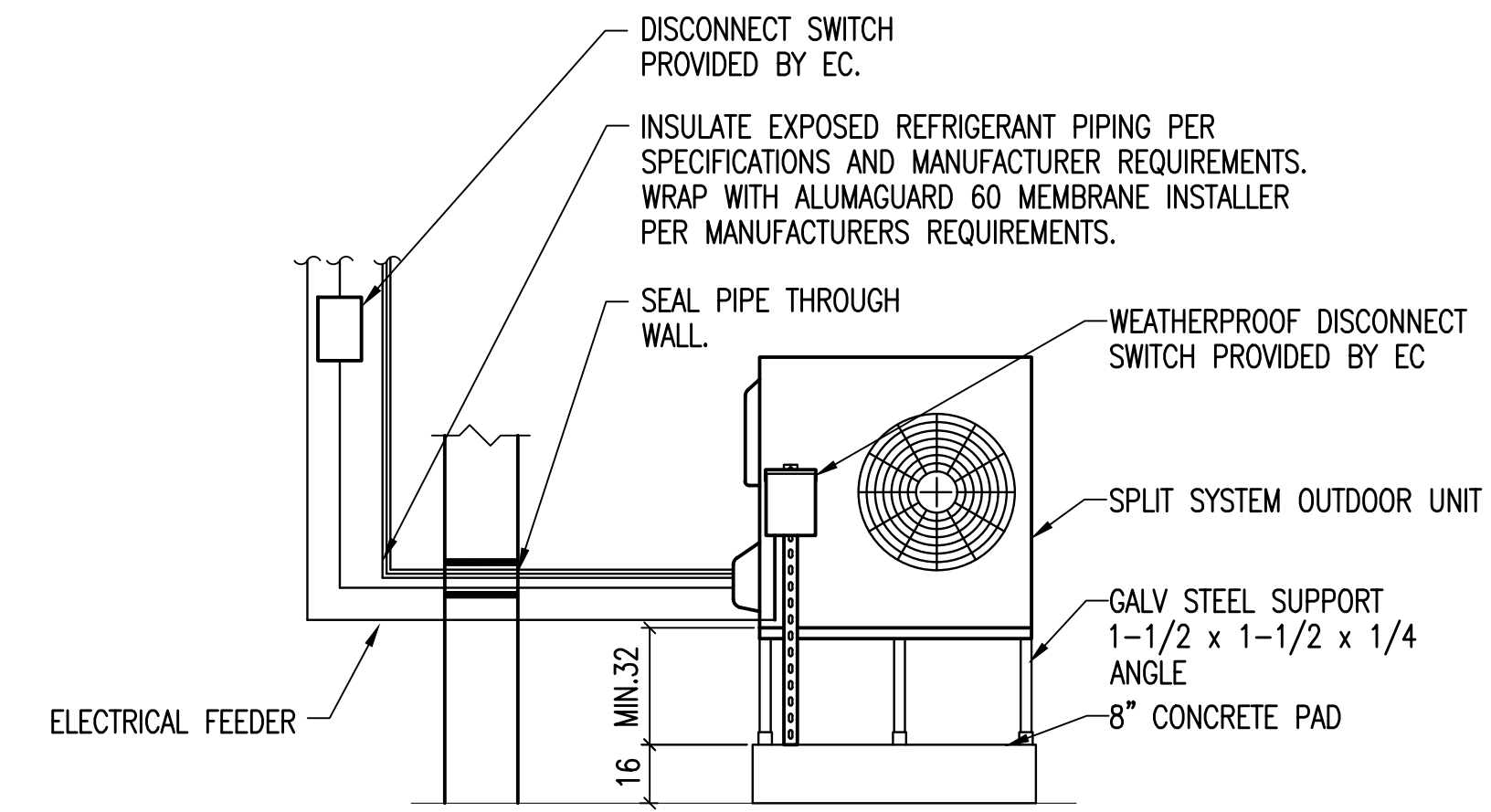
MARK	LOC. AT ROOM	INDOOR UNIT			OUTDOOR UNIT					HEAT			VOLTAGE	REMARKS	ELECT. REF.	
		MNTG.	CFM	EDB/ EWB	MARK	CAPACITY (MBH)		ODB	SEER	MCA	CAPACITY (MBH)					EDB
					RATED	MINIMUM					RATED	HSPF				
DSS-1	ELEC	CEILING	600	70/61	OU-1	24	10.8	101	20	20	②	10.5	68	0	208/1	①
DSS-2	ELEC	CEILING	600	70/61	OU-1	24	10.8	101	20	20	②	10.5	68	0	208/1	①

① BASED ON LG CEILING CASSETTE SINGLE ZONE INVERTER WITH VARIABLE SPEED COMPRESSOR, INDEPENDENT CONTROL VANES, FROST CONTROL, CASSETTE GRILLE, LOW AMBIENT WIND BAFFLE, HAIL GUARDS, AND PROGRAMMABLE THERMOSTAT PERMANENTLY MOUNTED TO WALL.

② HEATING CAPACITY AT 17 DEG F AMBIENT TEMPERATURE = 26.0 MBH.
HEATING CAPACITY AT -4 DEG F AMBIENT TEMPERATURE = 20.7 MBH.

DUCTLESS SPLIT SYSTEMS SEQUENCE OF OPERATION:

THE DUCTLESS SPLIT SYSTEMS SHALL BE SUPPLIED WITH 7-DAY PROGRAMMABLE THERMOSTATS WITH AUTO-SWITCHOVER. IN COOLING MODE, THE THERMOSTAT FOR DSS-1 SHALL BE SET TO 70 DEG F AND THE THERMOSTAT FOR DSS-2 SHALL BE SET TO 72 DEG F. IN HEATING MODE, THE THERMOSTAT FOR DSS-1 SHALL BE SET TO 70 DEG F AND THE THERMOSTAT FOR DSS-2 SHALL BE SET TO 68 DEG F.



DUCTLESS SPLIT SYSTEM OUTDOOR UNIT DETAIL

SCALE: NONE

Saved: 02-05-2021 11:43:33 AM by MATT NEWMAN
 Plot: Scale 1:5.379008 03-04-2021 4:50:22 PM by MATT NEWMAN
 U:\Wichita-Facility\2018\180537\000\Mech\Drawings\M-601 MECHANICAL SCHEDULES

4			
3			
2			
1	CONSTRUCTION DOCUMENTS		03-04-21
No.	Revision	By	Date
CITY OF WICHITA, KANSAS			
MECHANICAL SCHEDULES			
STANDBY POWER GENERATION - SOUTHEAST PUMP STATION			
Professional Engineering Consultants, P.A. 303 S. TOPEKA • WICHITA, KANSAS 67202 316-262-2691 • FAX 316-262-3003			
Designed by	CWW	Job No.	180537-000
Drawn by	MHN	Checked by	JBG
Date	MARCH 2021	Dwg No.	M601

