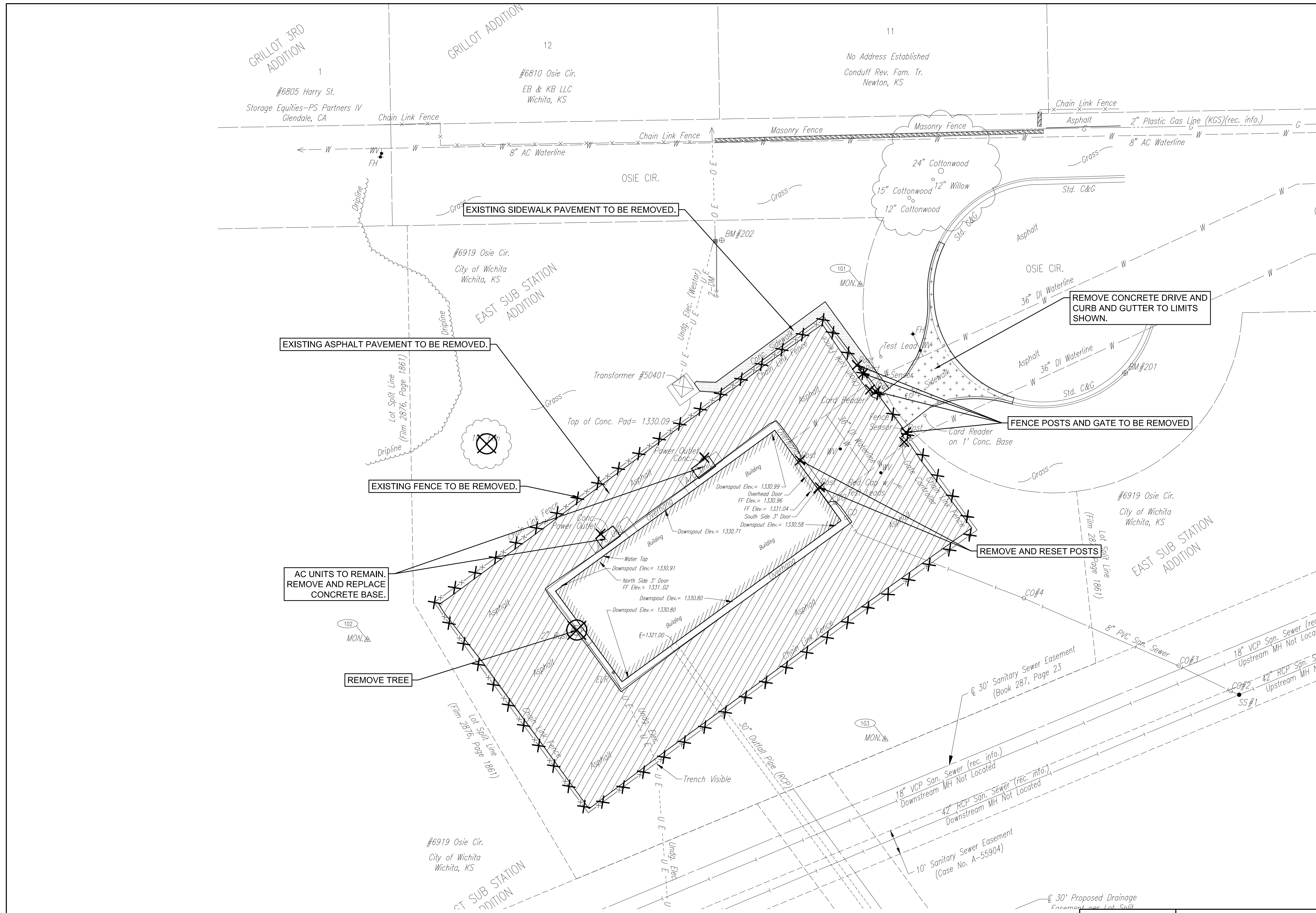
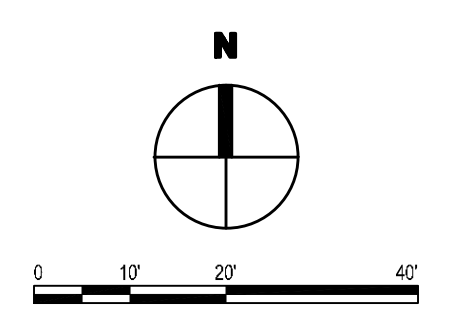


Saved 03-04-2021 3:57:23 PM by ROY, THOMAS
 Plot Scale 1:1 03-04-2021 4:22:31 PM by ROY, THOMAS
 U:\Wichita-Facil\2018\180537\000\Drawings\Plans\180537-000-CD101



- DEMOLITION LEGEND**
- DENOTES ASPHALT PAVEMENT REMOVAL
 - DENOTES CONCRETE PAVEMENT REMOVAL
 - DENOTES SIDEWALK REMOVAL
 - DENOTES ITEM DEMOLITION
 - DENOTES ITEM DEMOLITION
 - DENOTES ITEM ABANDONMENT
 - DENOTES UTILITY CAP OR PLUG
 - DENOTES TREE REMOVAL



4			
3			
2			
1	CONSTRUCTION DOCUMENTS		03-04-21
No.	Revision	By	Date
CITY OF WICHITA, KANSAS			
DEMOLITION PLAN			
STANDBY POWER GENERATION - SOUTHEAST PUMP STATION			
Professional Engineering Consultants, P.A. 303 S. TOPEKA • WICHITA, KANSAS 67202 316-262-2691 • FAX 316-262-3003			
Designed by NLS	Job No. 180537-000	Dwg No. CD101	
Drawn by RFT	Checked by MEB	Date MARCH 2021	

