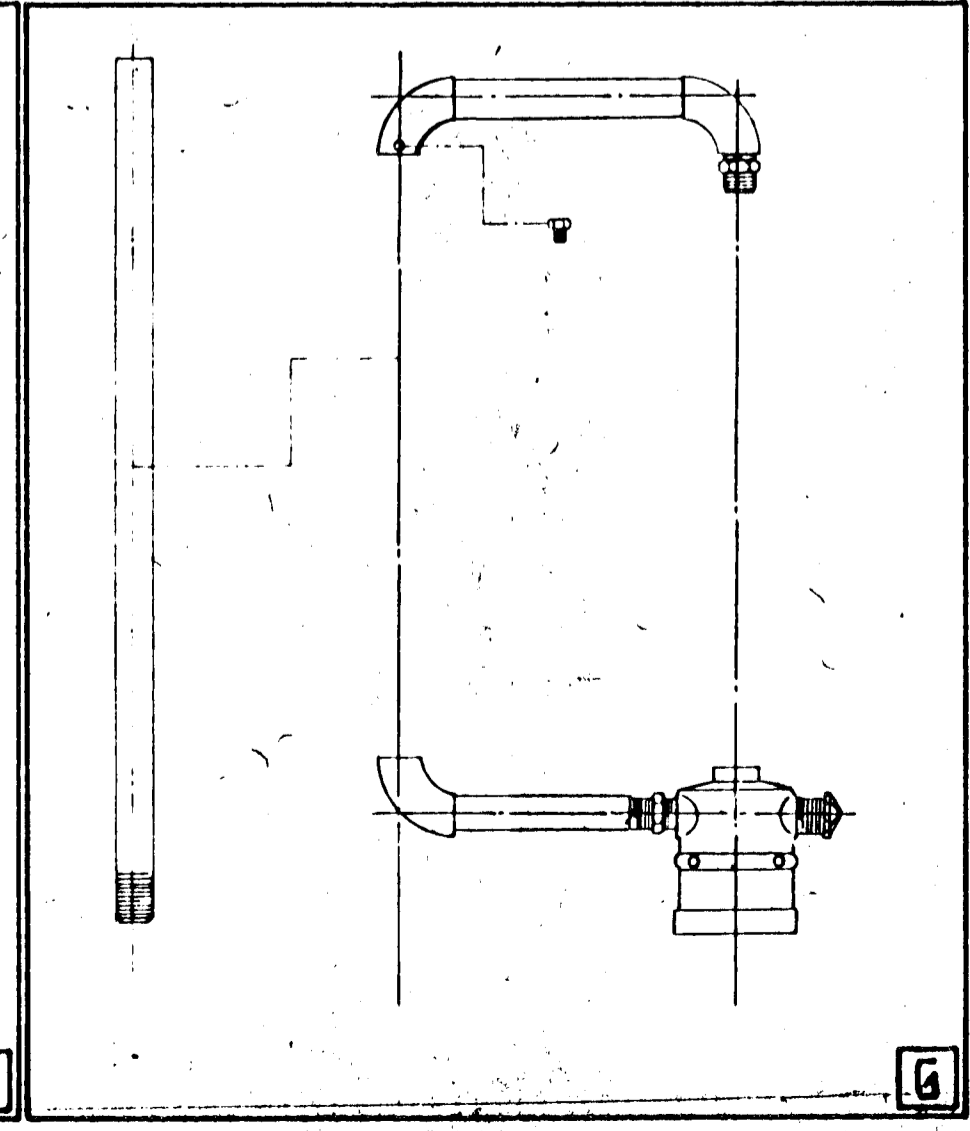
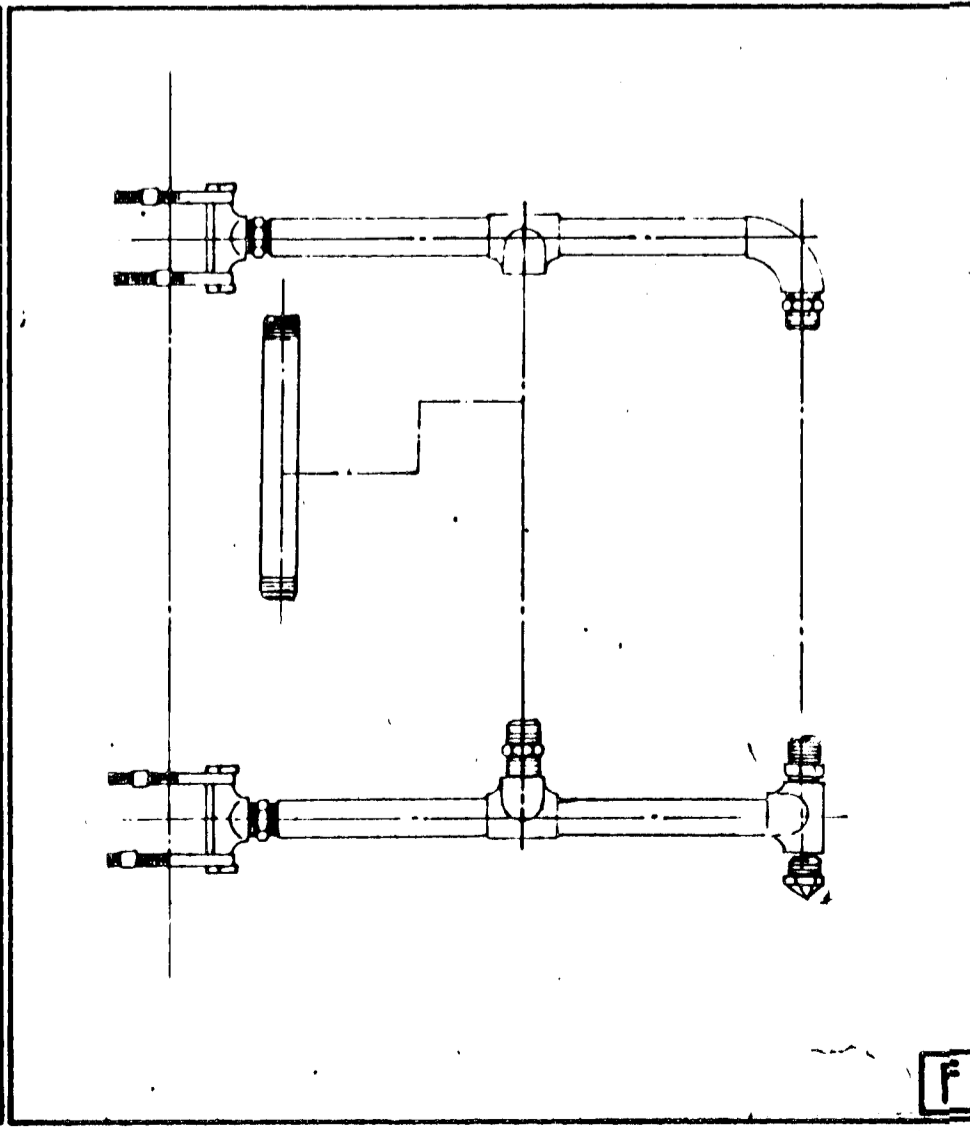
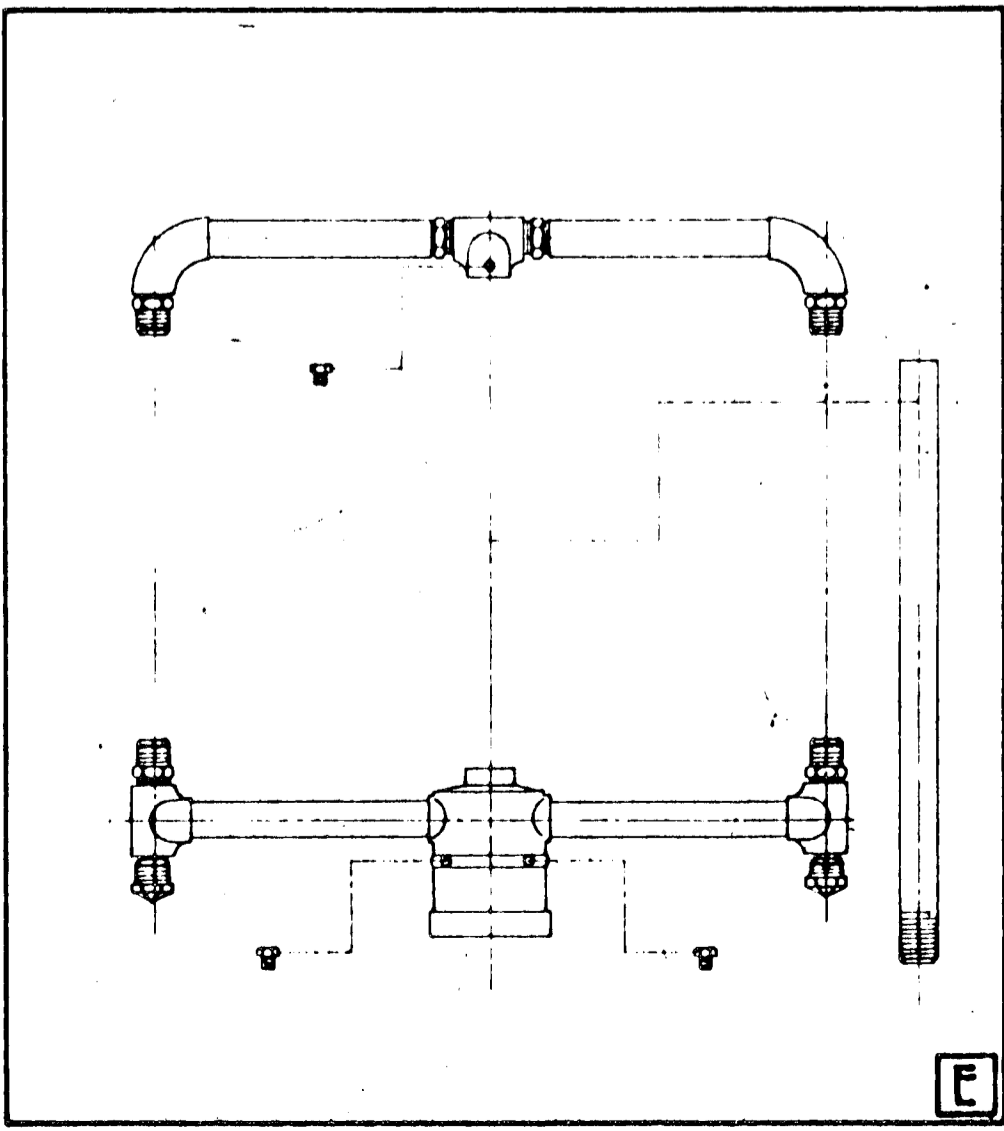
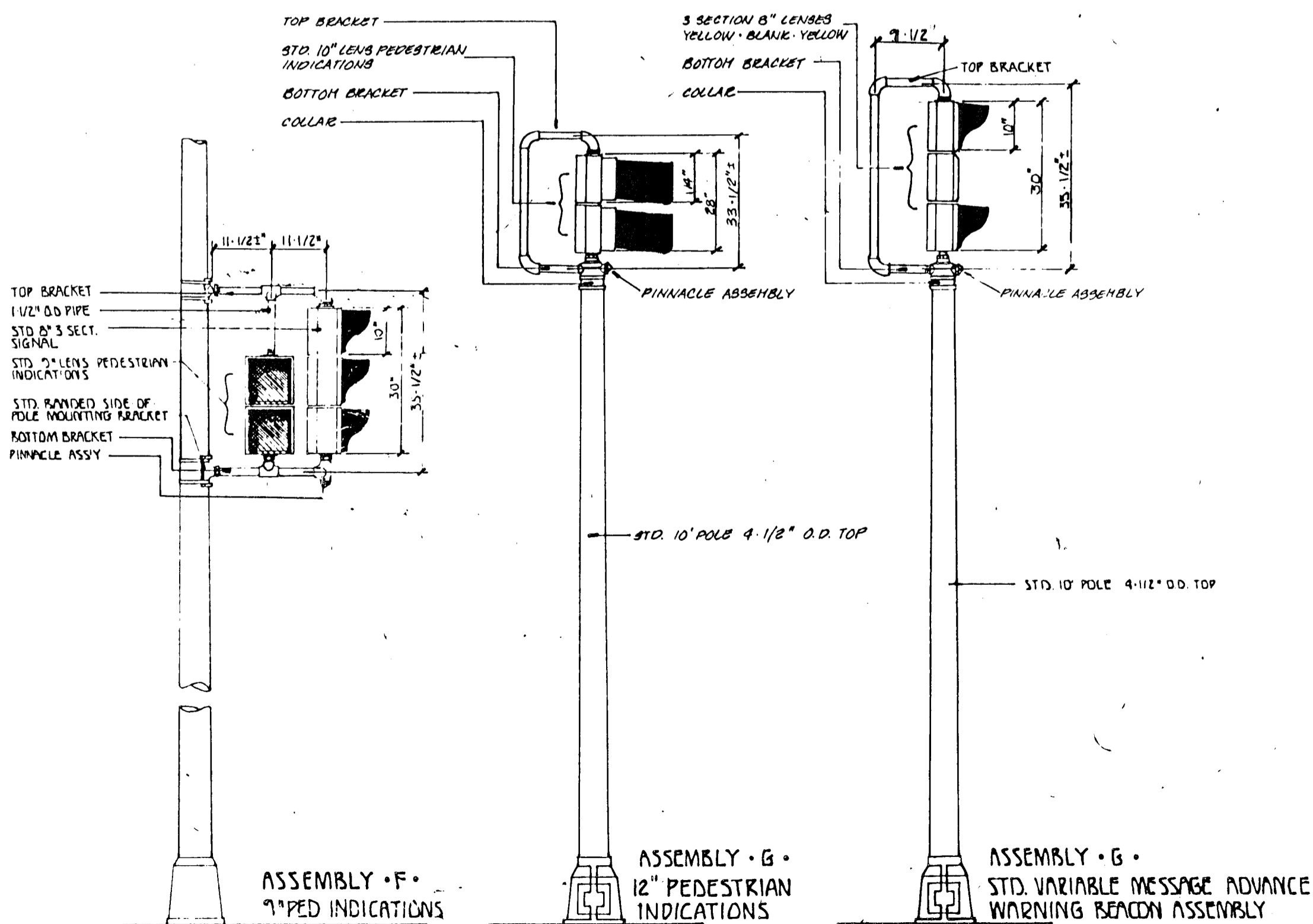
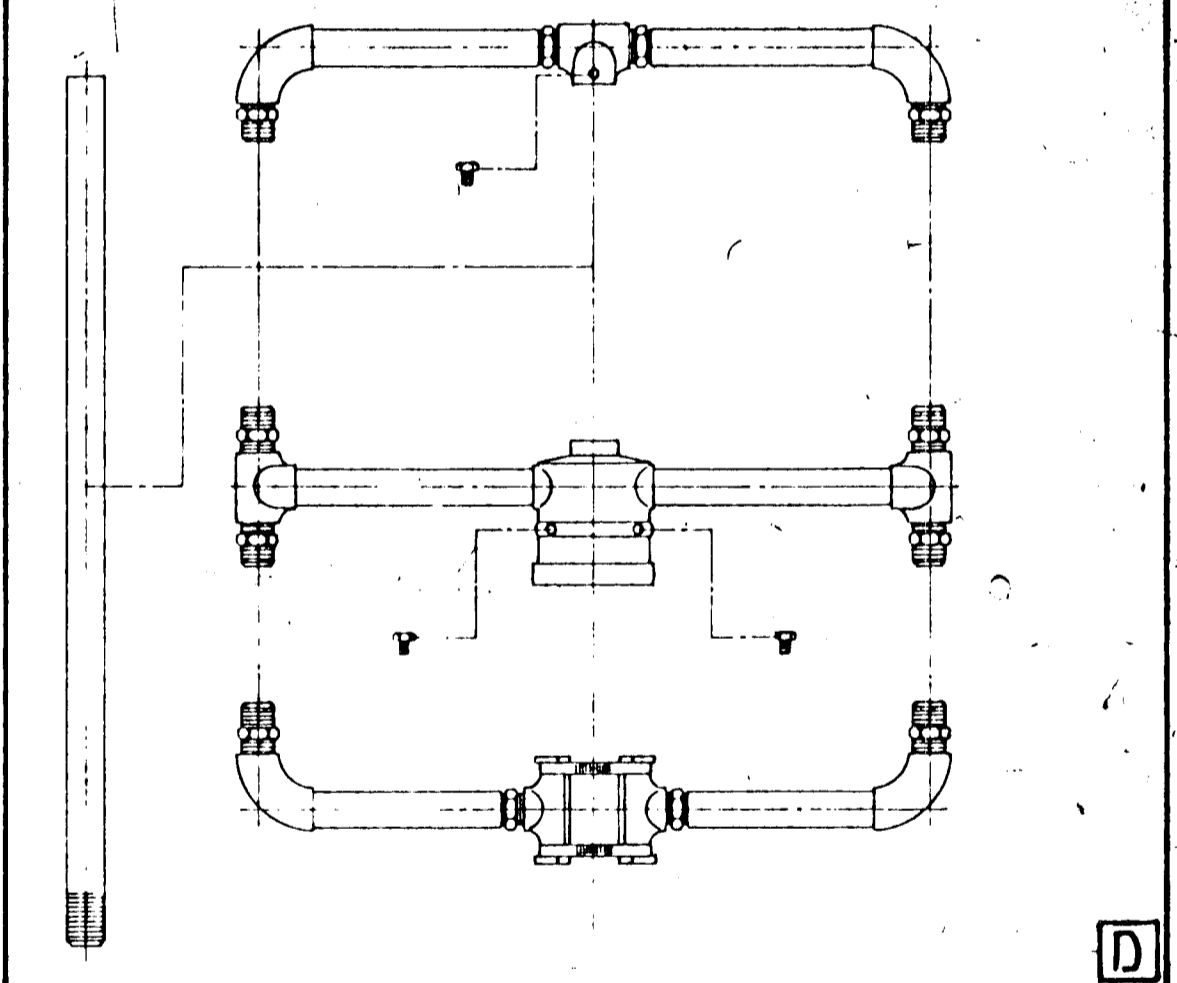
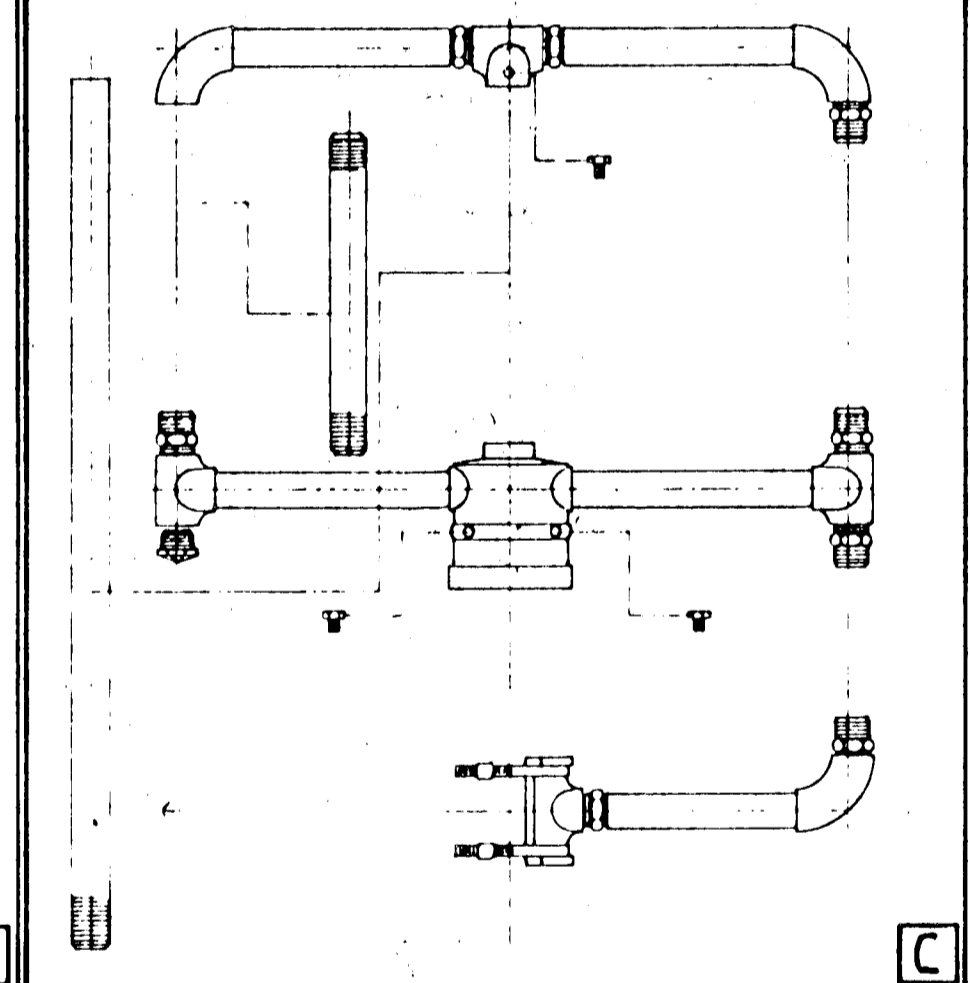
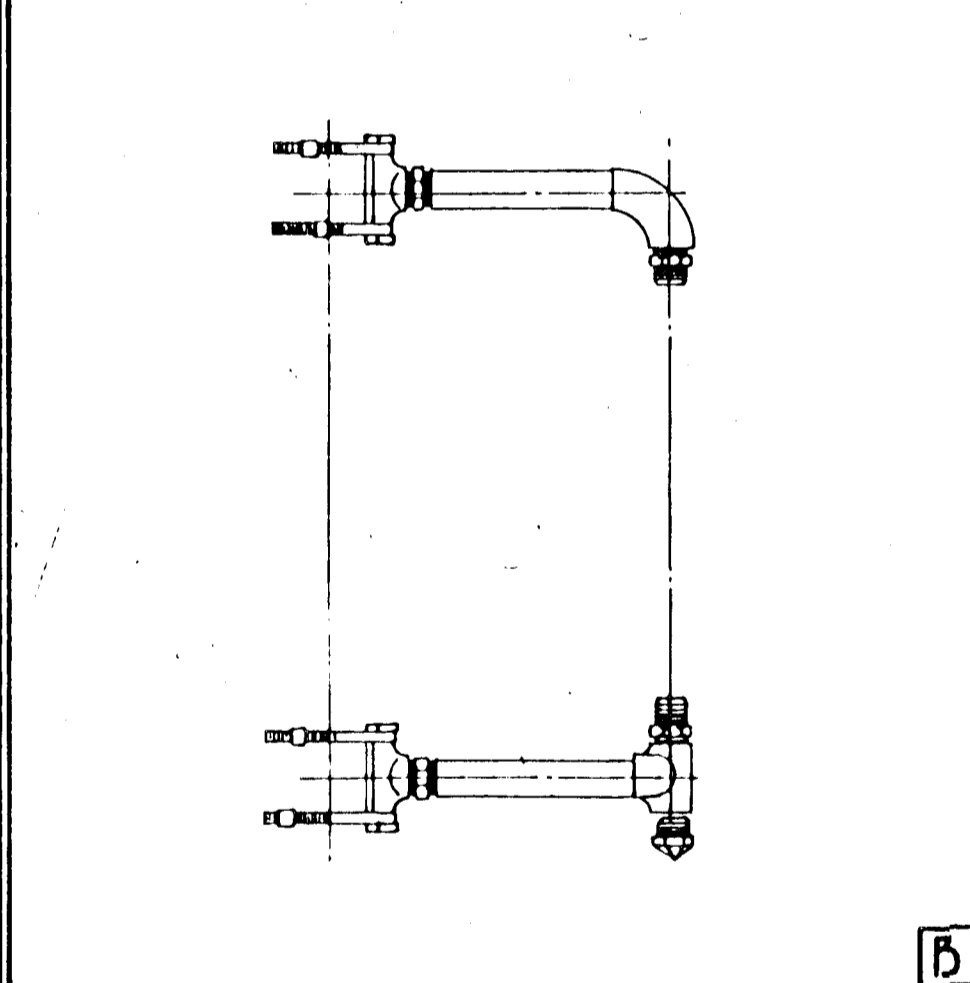
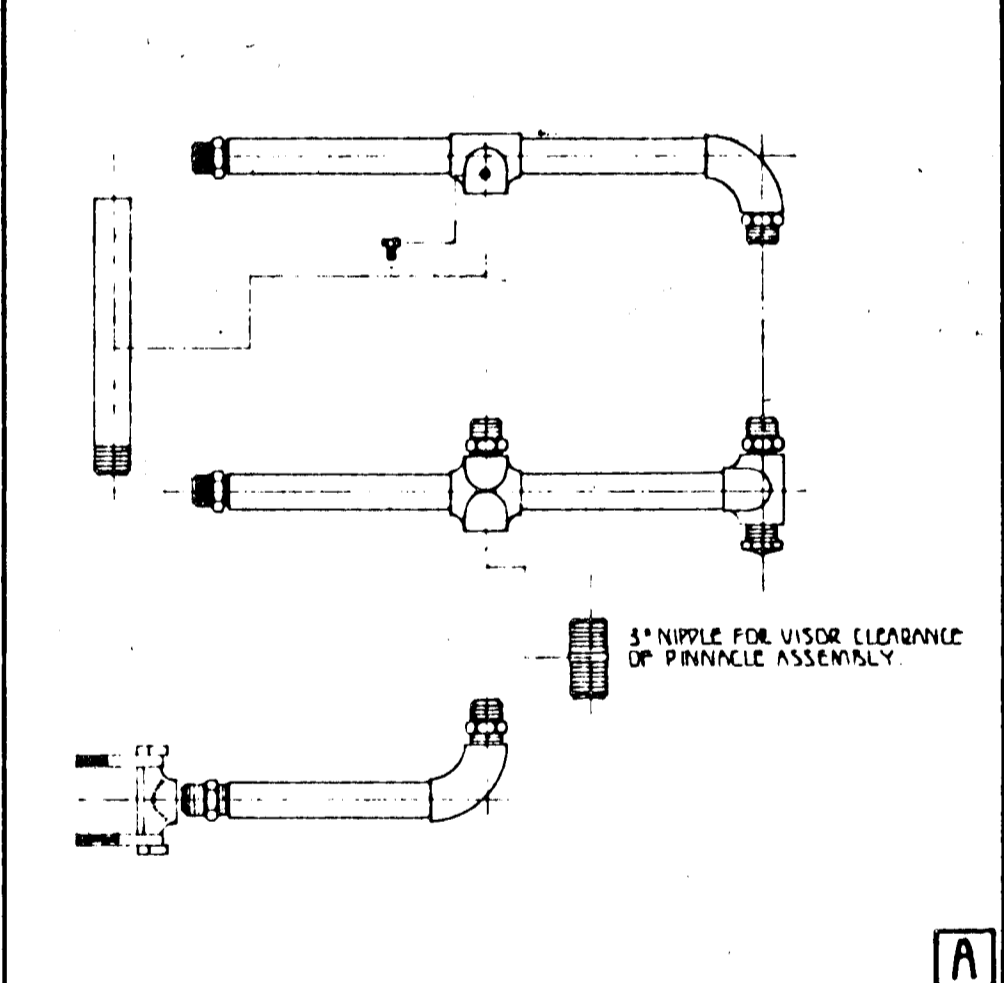


BRACKET DETAILS



ALL DIMENSIONS BASED ON STD. 8" LENS, 3-SECTION SIGNAL WITH 8" PEDESTRIAN INDICATIONS. DO NOT SCALE. FOR INFORMATION ONLY.

REVISION DATE	COMMENTS	INT.
APR. 85	D - ASSEMBLY & DETAIL	JD
FEB. 86	F - ASSEMBLY & DETAIL	JD
AUG. 87	F - ASSEMBLY & DETAIL	JD
DEC. 89	G - W/PED INDICATIONS (12")	JD

PROJECT DESCRIPTION
TYPICAL BRACKET ASSEMBLY DETAILS FOR STD. SIDE-OF-POLE AND POST-TOP MOUNTED SIGNALS

PROJECT NUMBER

BOOK NO.	APPROVED BY	DATE
DRAWN BY SEAL		REVISED

CITY OF WICHITA
DEPARTMENT OF PUBLIC WORKS
DIVISION OF TRAFFIC ENGINEERING
WM. G. MCKINLEY, TRAFFIC ENGINEER