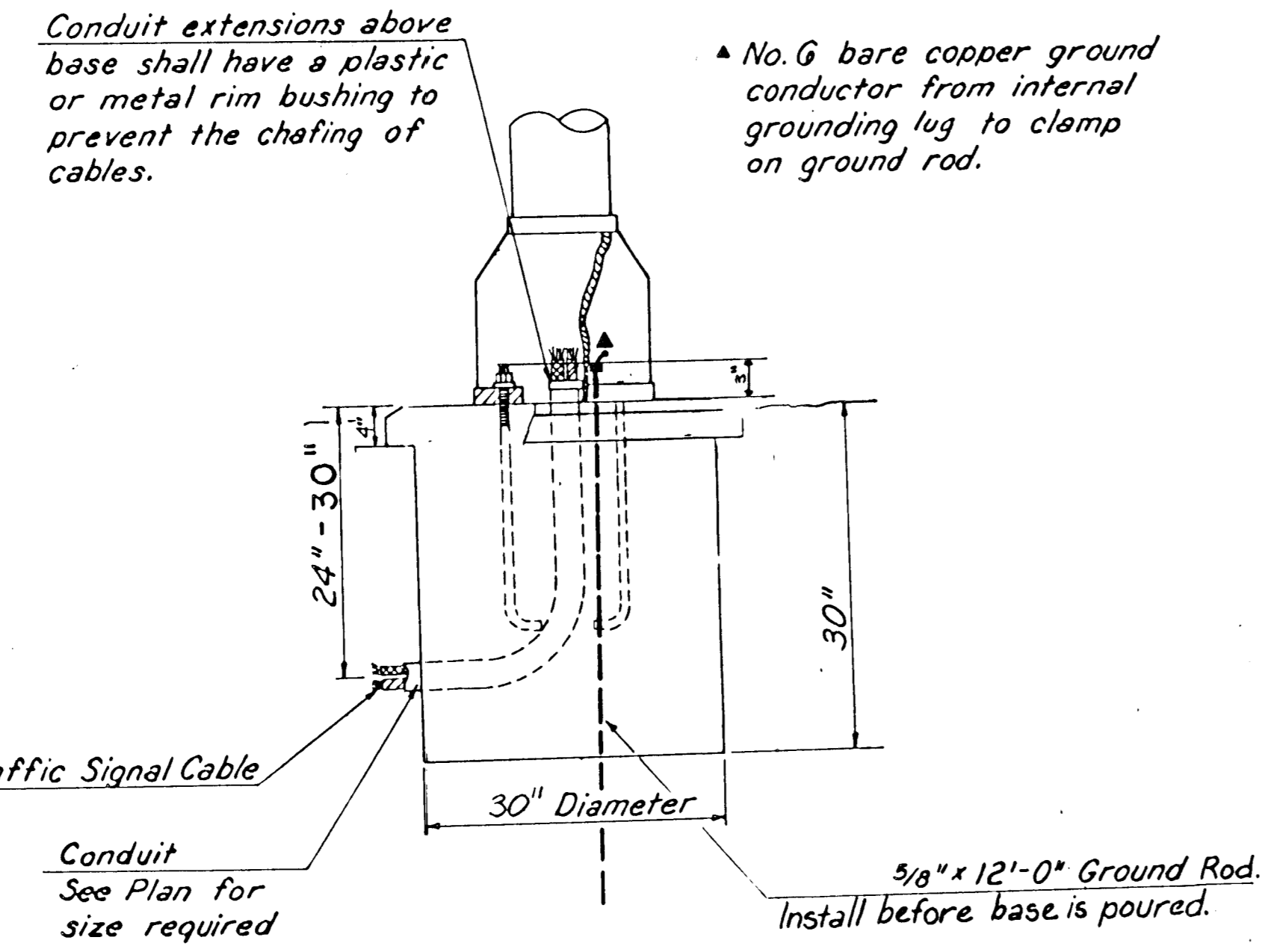
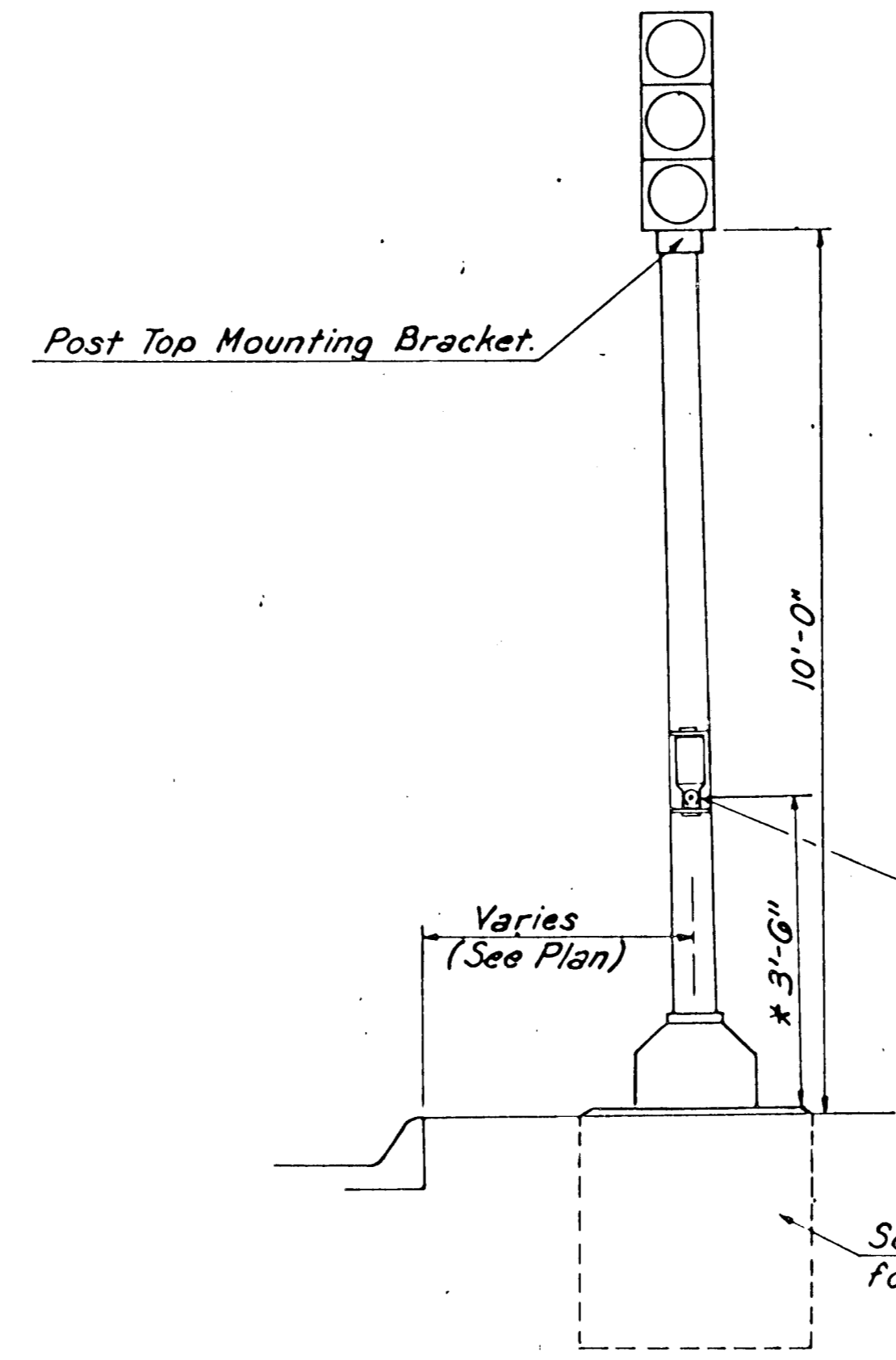


ANCHOR BOLT
DETAIL

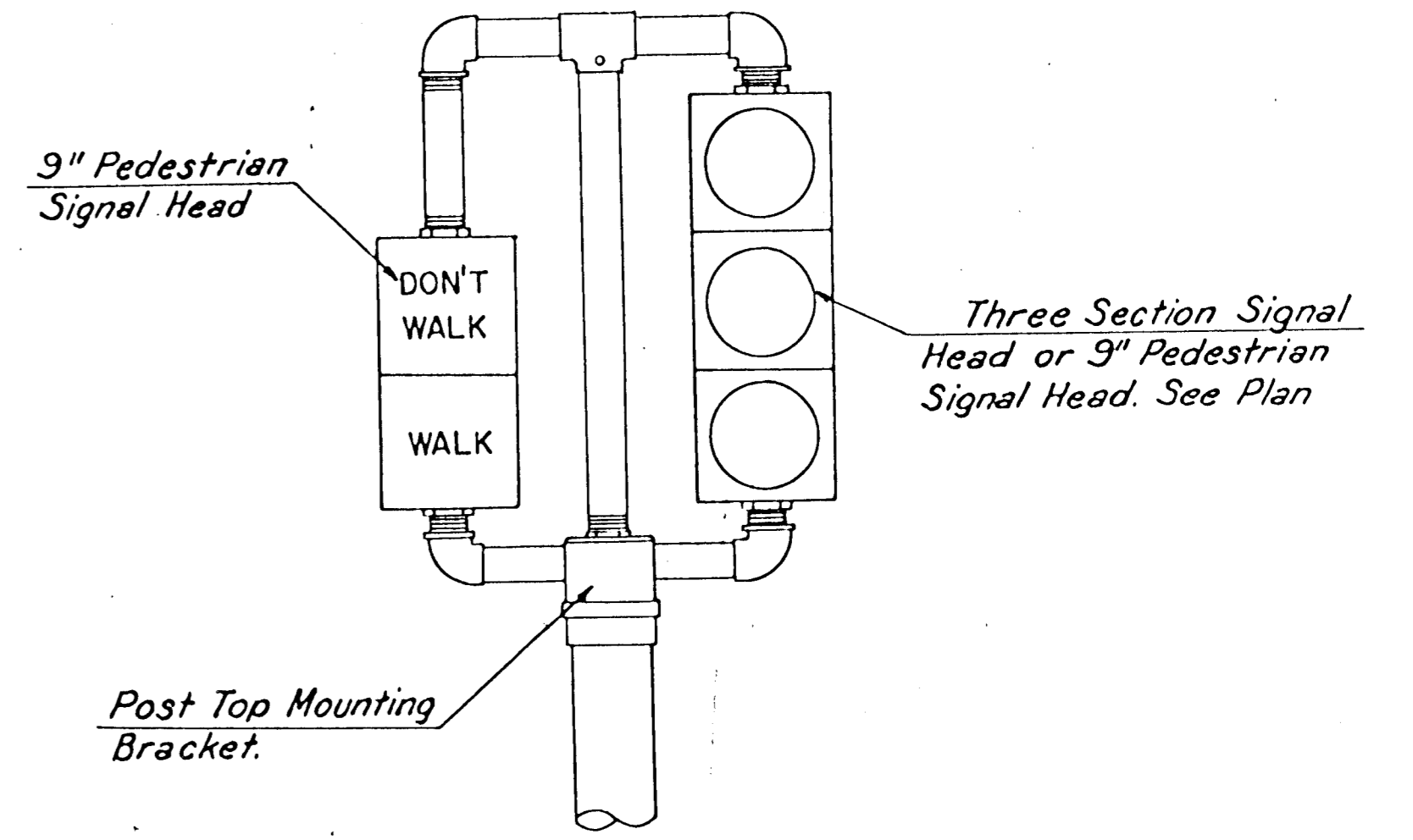


CONCRETE BASE DETAILS

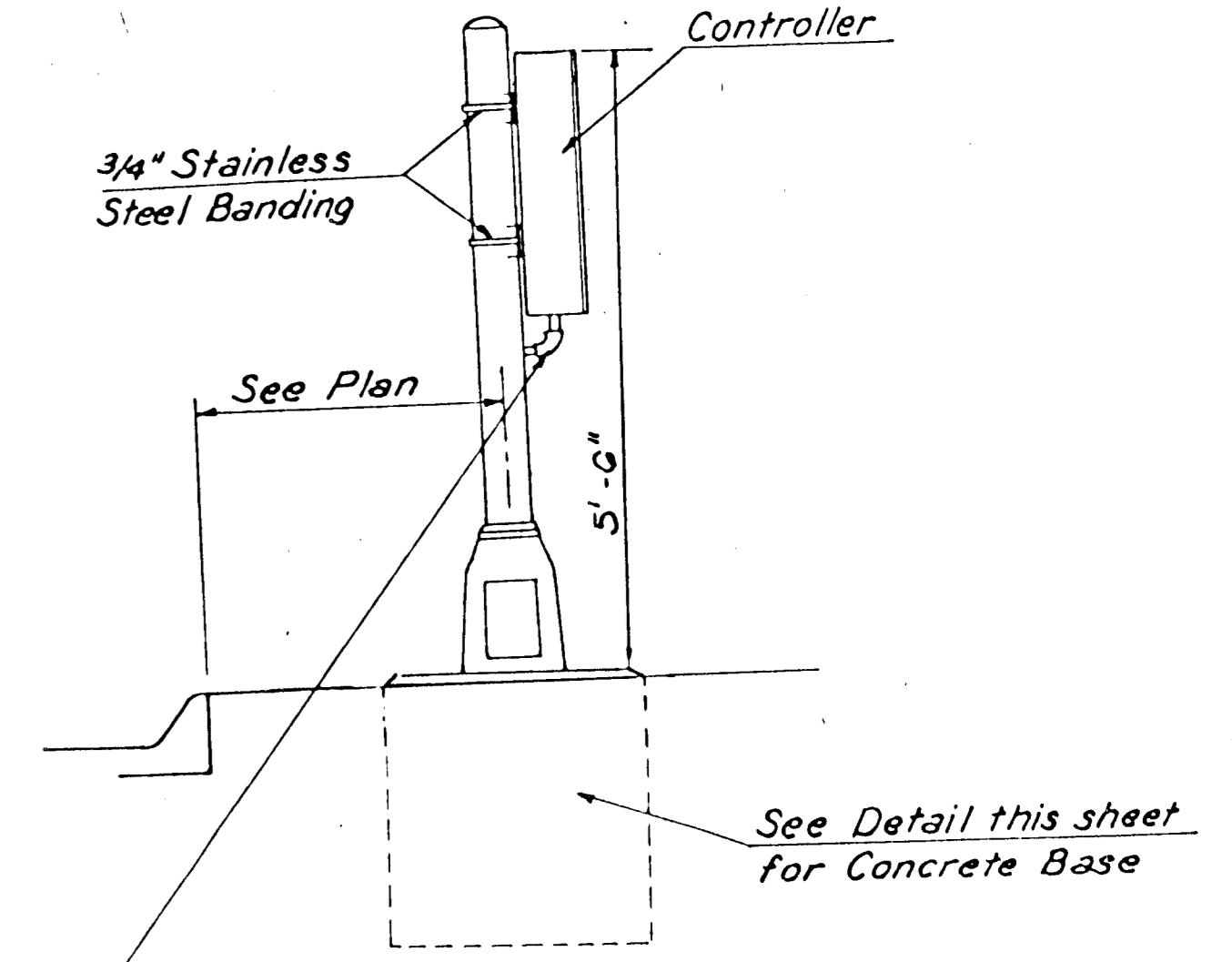
Use Keystone "No-Weld Number 1 Anti-Seize Compound" on all bolts & nuts.



TRAFFIC SIGNAL PEDESTAL



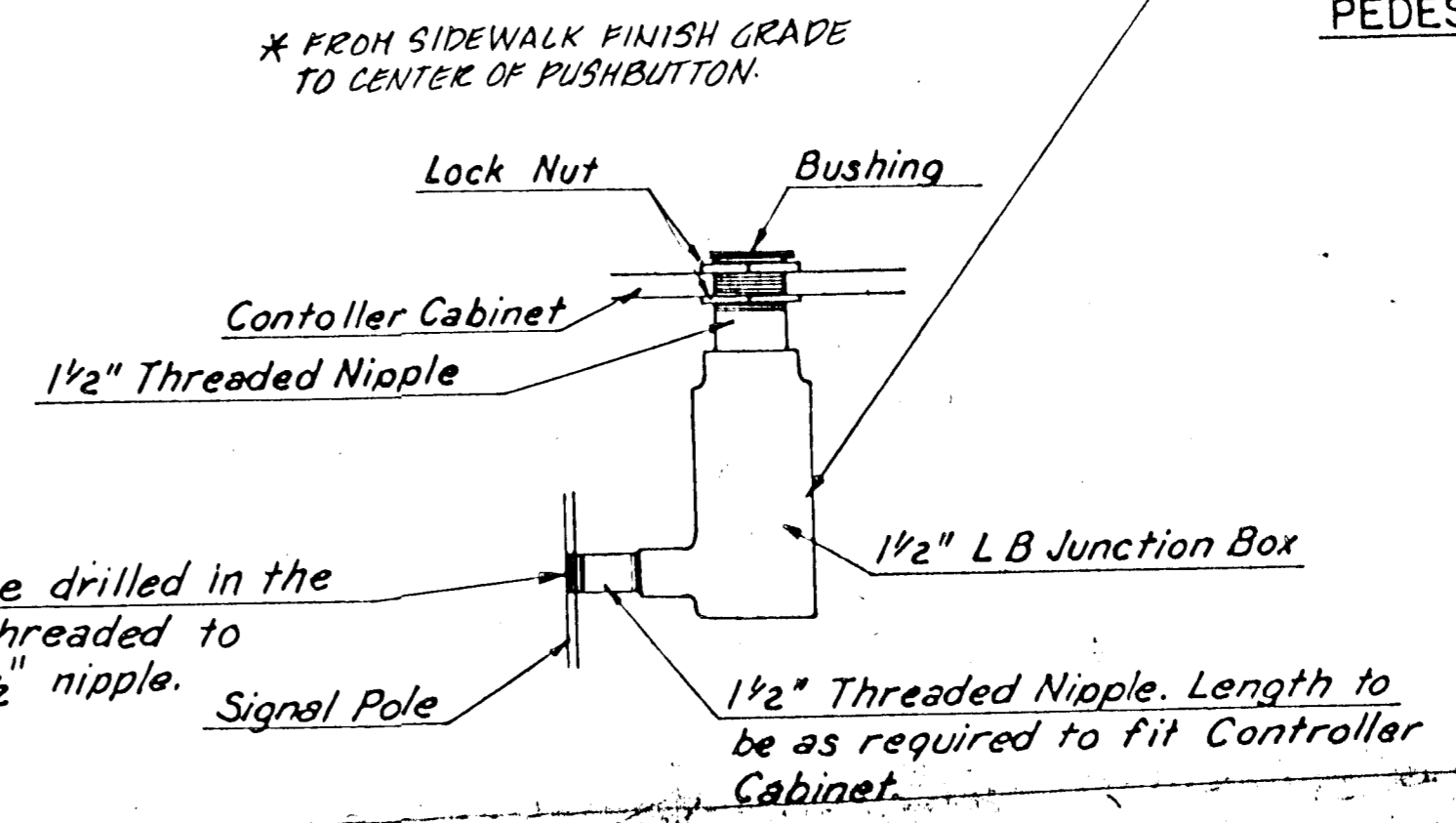
DETAIL A



PEDESTAL MOUNTED CONTROLLER



The Pedestrian Pushbutton/Sign Unit shall be firmly attached to the side of pole with 3/4" steel bands. Sharp ends shall be folded under to prevent injury to pedestrians.



A hole shall be drilled in the signal pole & threaded to receive the 1/2" nipple.

TRAFFIC SIGNAL PEDESTAL & CONCRETE BASE DETAILS

CITY OF WICHITA
DEPARTMENT OF PUBLIC WORKS

REV	DATE	COMMENTS	INT.
1	FEB 81	CHANGE PUSHBUTTON MOUNTING	HP
2	FEB 81	CHANGE NIPPLE WELDING	HP
3	FEB 81	REVISED MOUNTING BANDS	HP