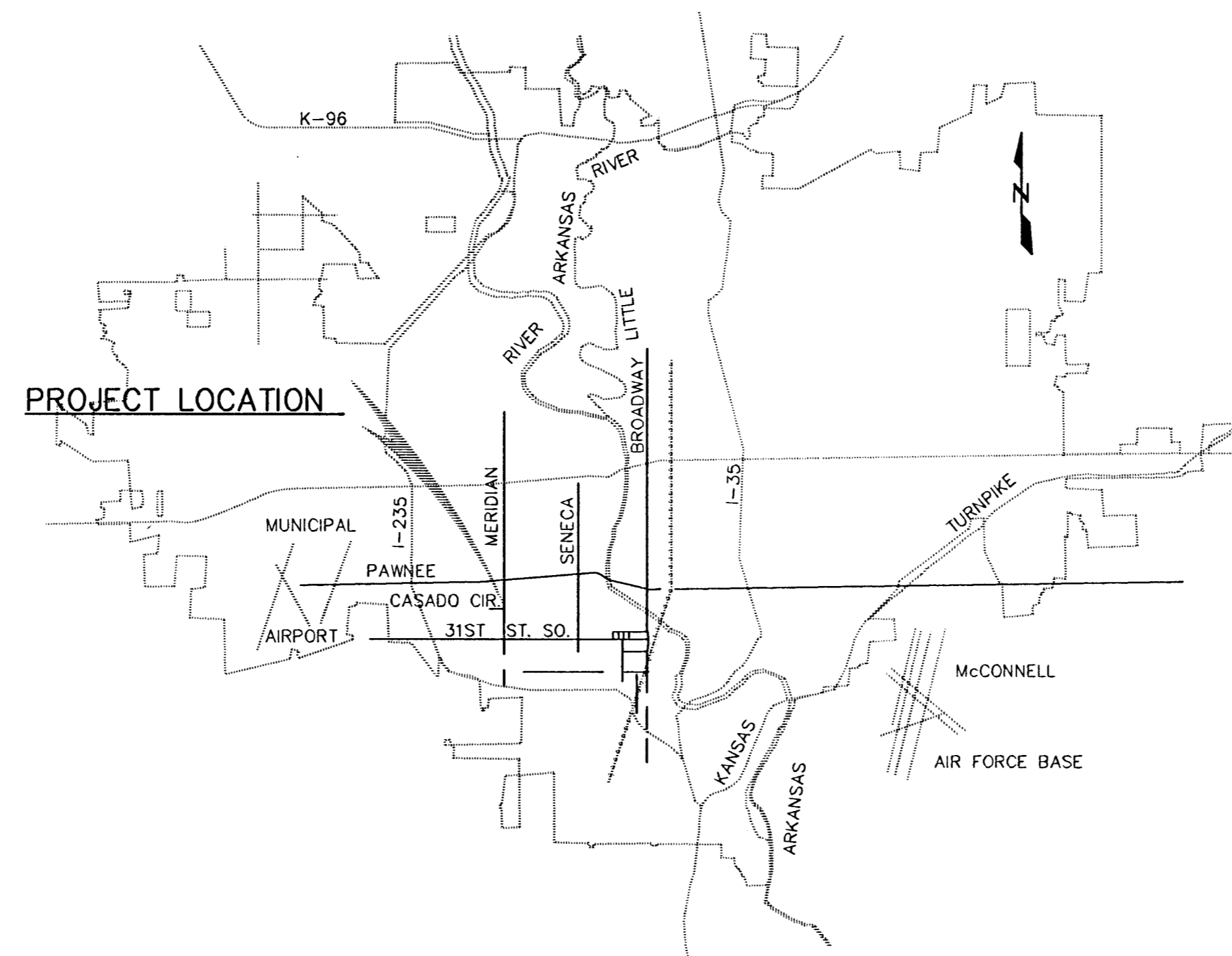


CONSTRUCTION PLANS FOR  
 DRAINAGE SYSTEM IMPROVEMENTS  
 MERIDIAN, 27TH ST. SOUTH TO CASADO CT.  
 THE CITY OF WICHITA,

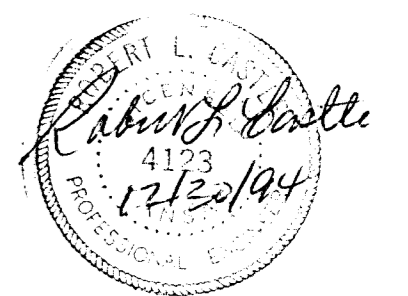
SEDGWICK COUNTY, KANSAS  
 MICHAEL E. LINDEBAK, P.E. - CITY ENGINEER

PHASE III  
 INDEX CODE - 660217  
 CITY OF WICHITA PROJECT NO. 468 - 82368  
 DECEMBER 1994



PLANS PREPARED BY  
 CASTLE & ASSOCIATES  
 WICHITA, KANSAS

REVISED BY:  
 CITY OF WICHITA  
 FEBRUARY 1995



CITY OF WICHITA DRAINAGE IMPROVEMENTS			
TITLE SHEET MERIDIAN, 27TH ST. SO. TO CASADO CT.			
CASTLE & ASSOCIATES ENGINEERS WICHITA, KANSAS	DSG	DWG FILE NO	
	DR	9324C - D - 70,036	
CH	APP	SHEET NO 1 OF 3	REV.
DATE	DECEMBER	1994	

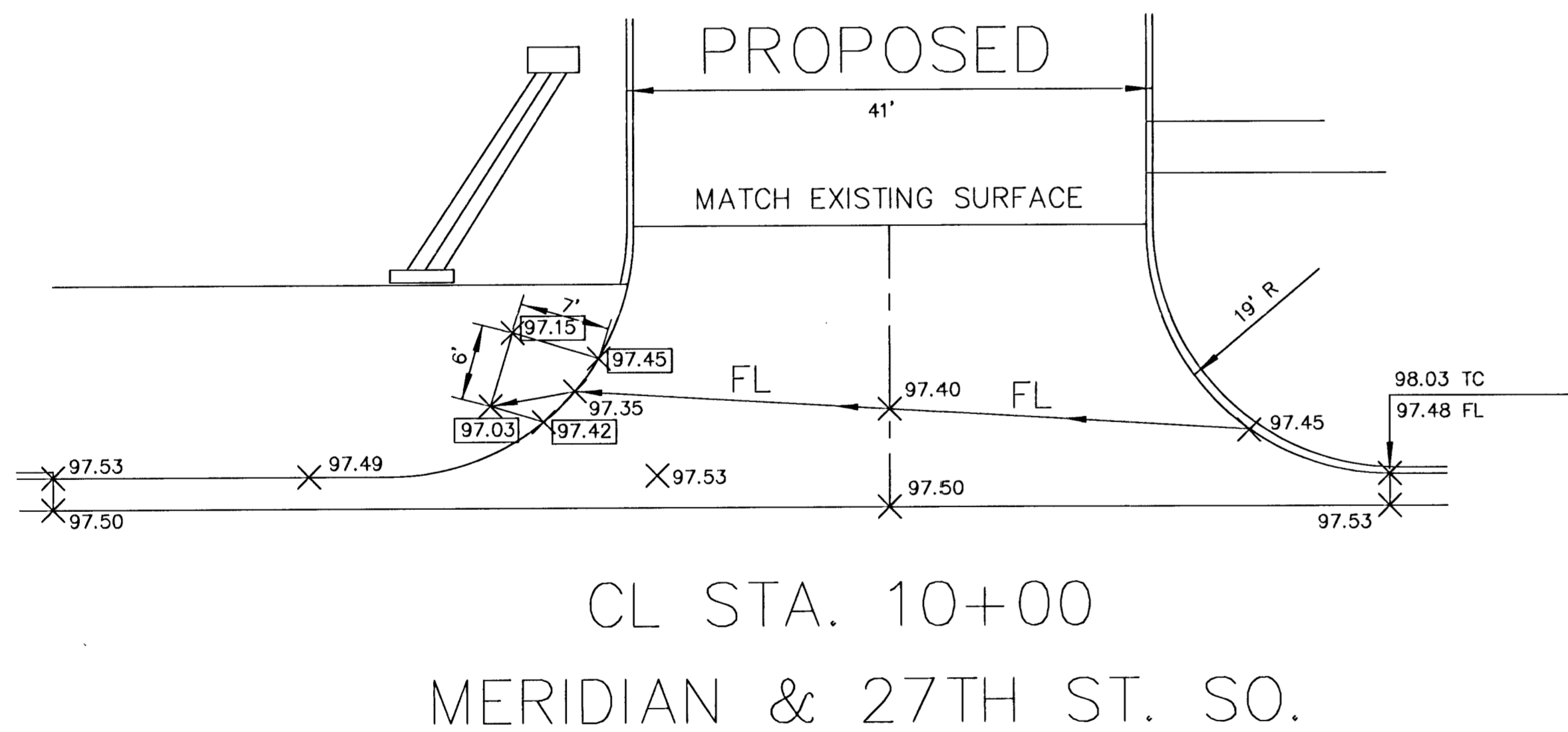
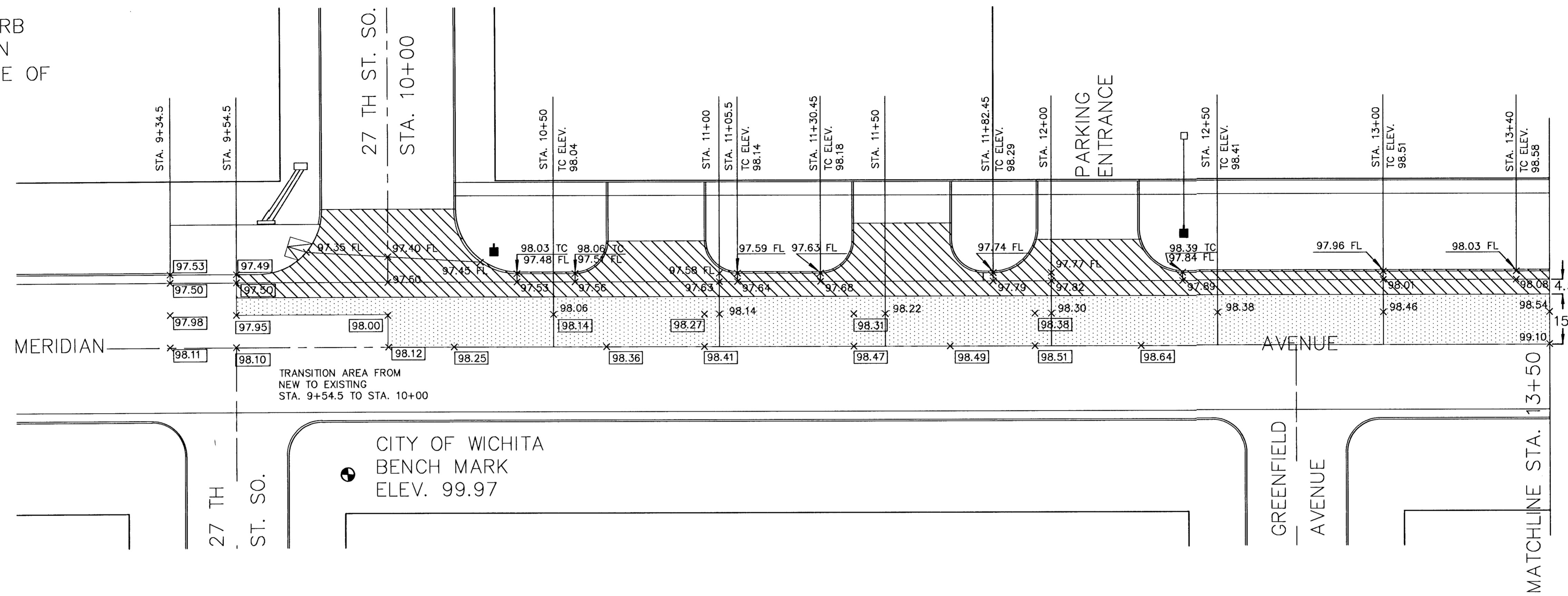
BASELINE BACK OF CURB  
WEST SIDE OF MERIDIAN  
STA. 10+00 CENTERLINE OF  
27TH ST. SO. WEST

= MILL SURFACE COURSE  
AS NECESSARY

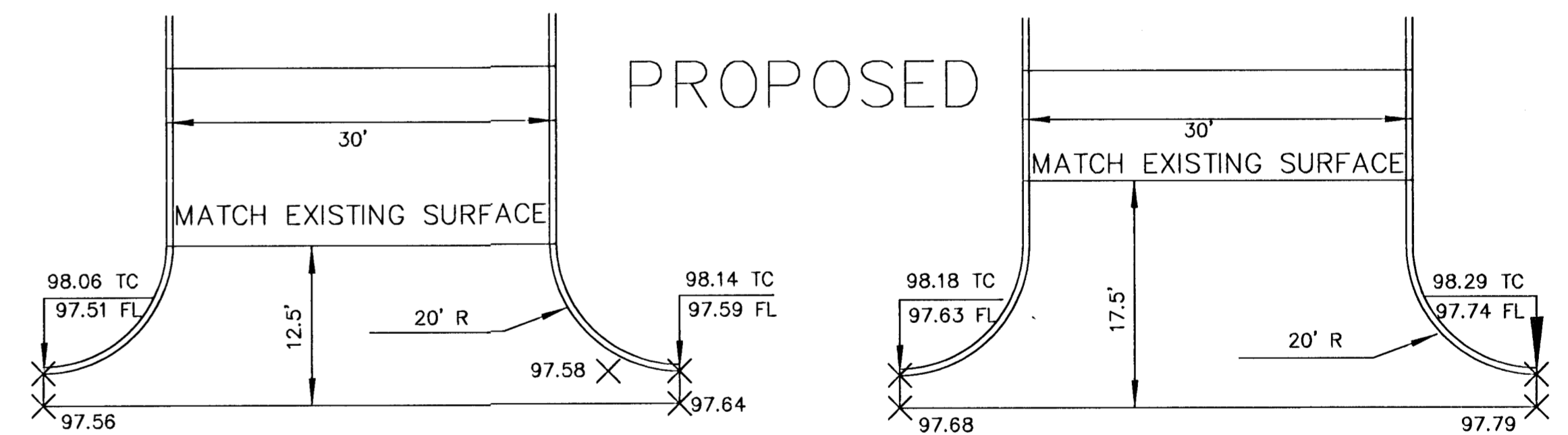
= CURB AND GUTTER  
AND PAVEMENT  
TO BE REMOVED  
AND REPLACED

= EXIST. ELEVATION

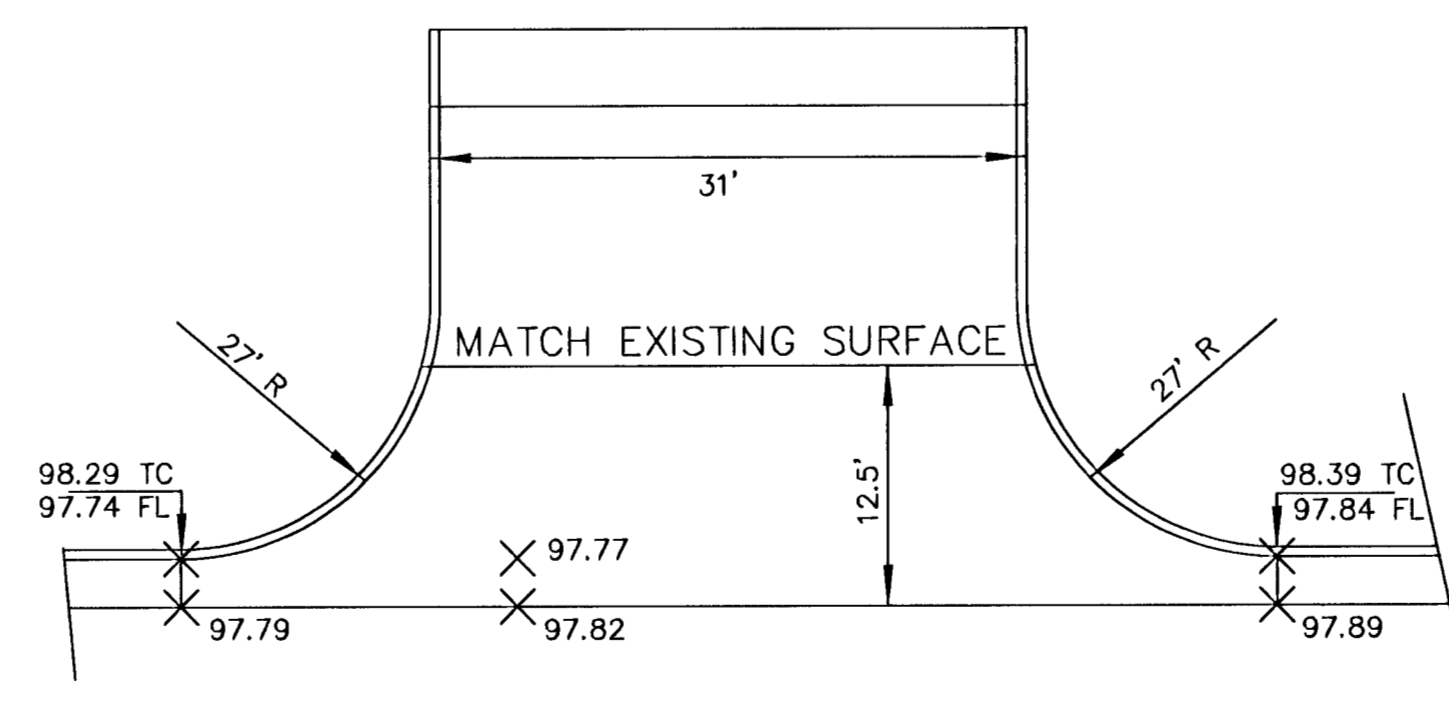
= PROPOSED ELEV.



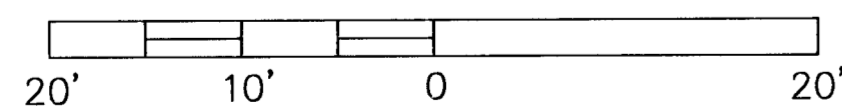
PROPOSED



PARKING APPROACHES

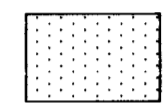
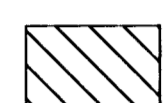
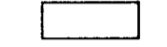



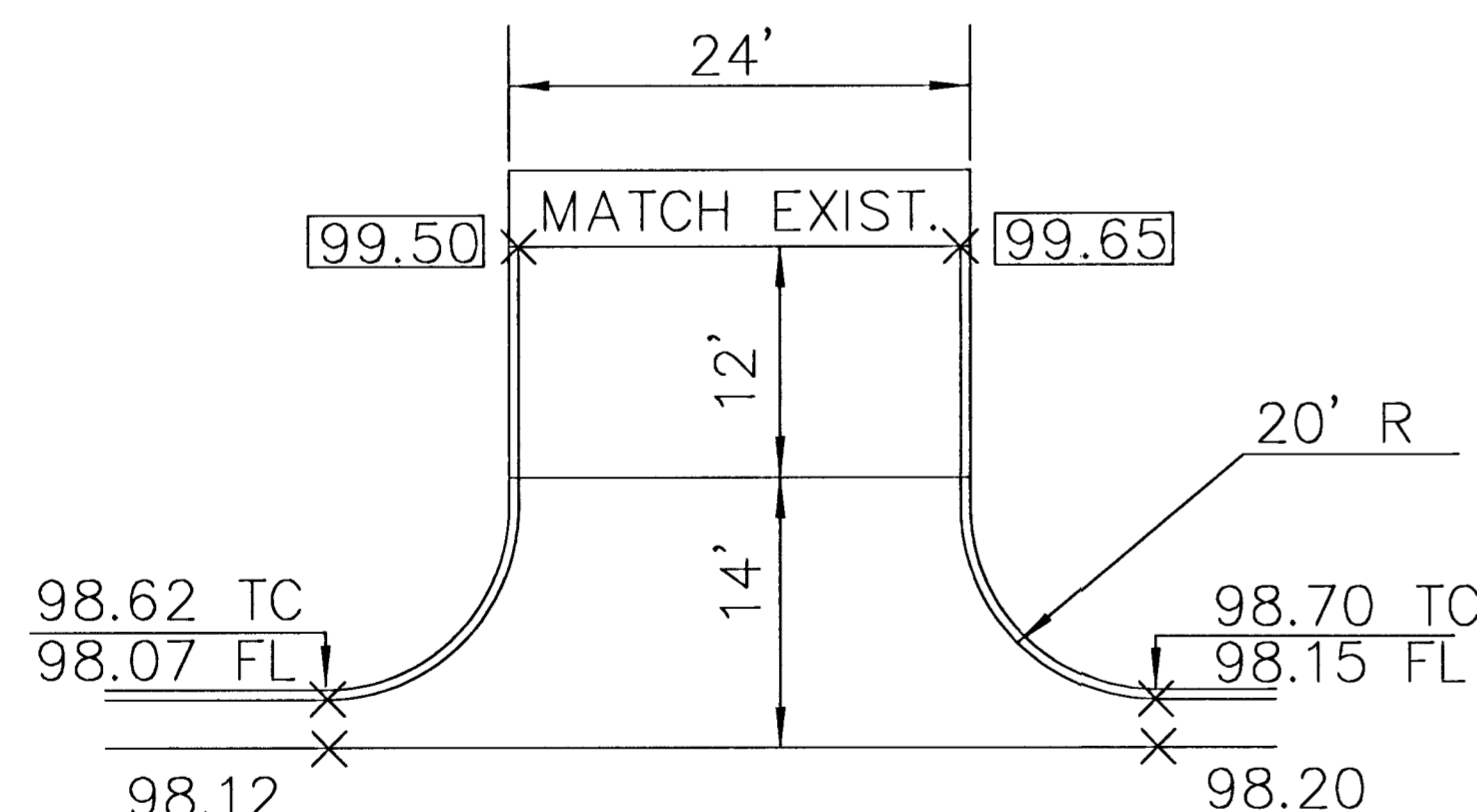
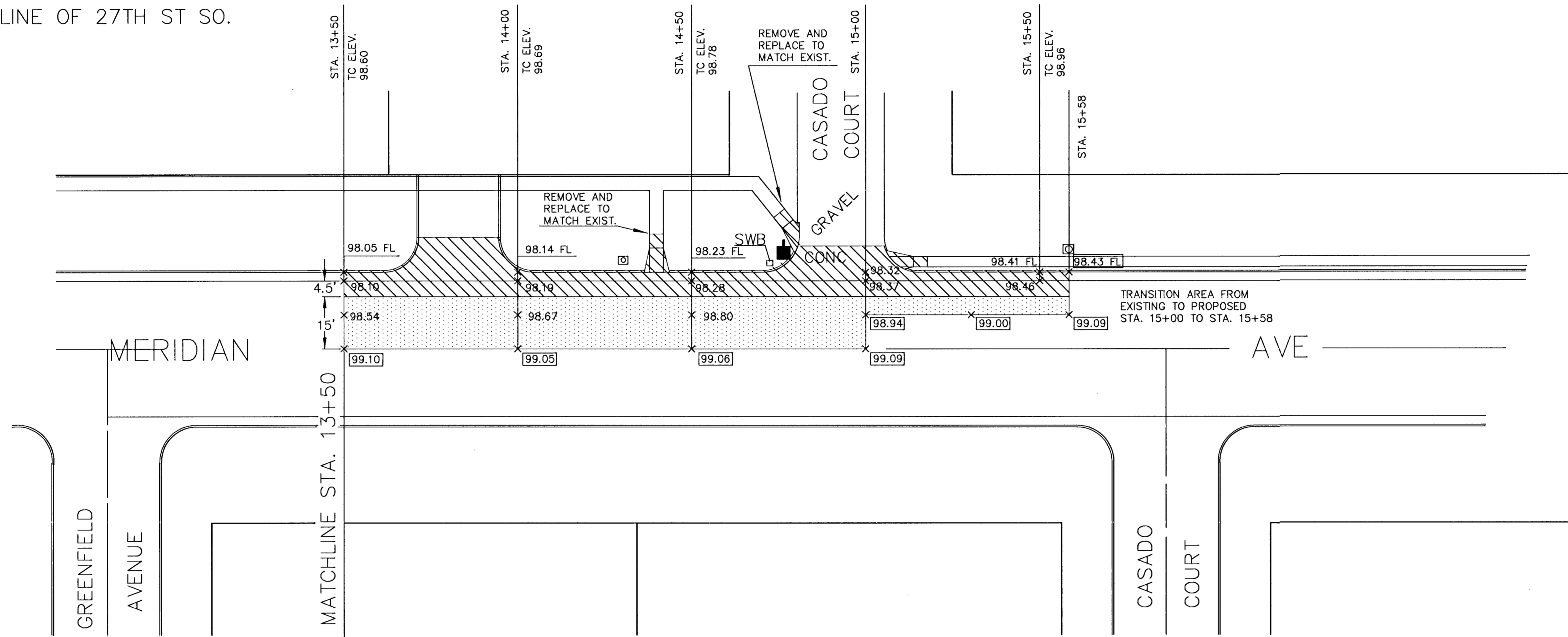
MERIDIAN & PARKING ENTRANCE



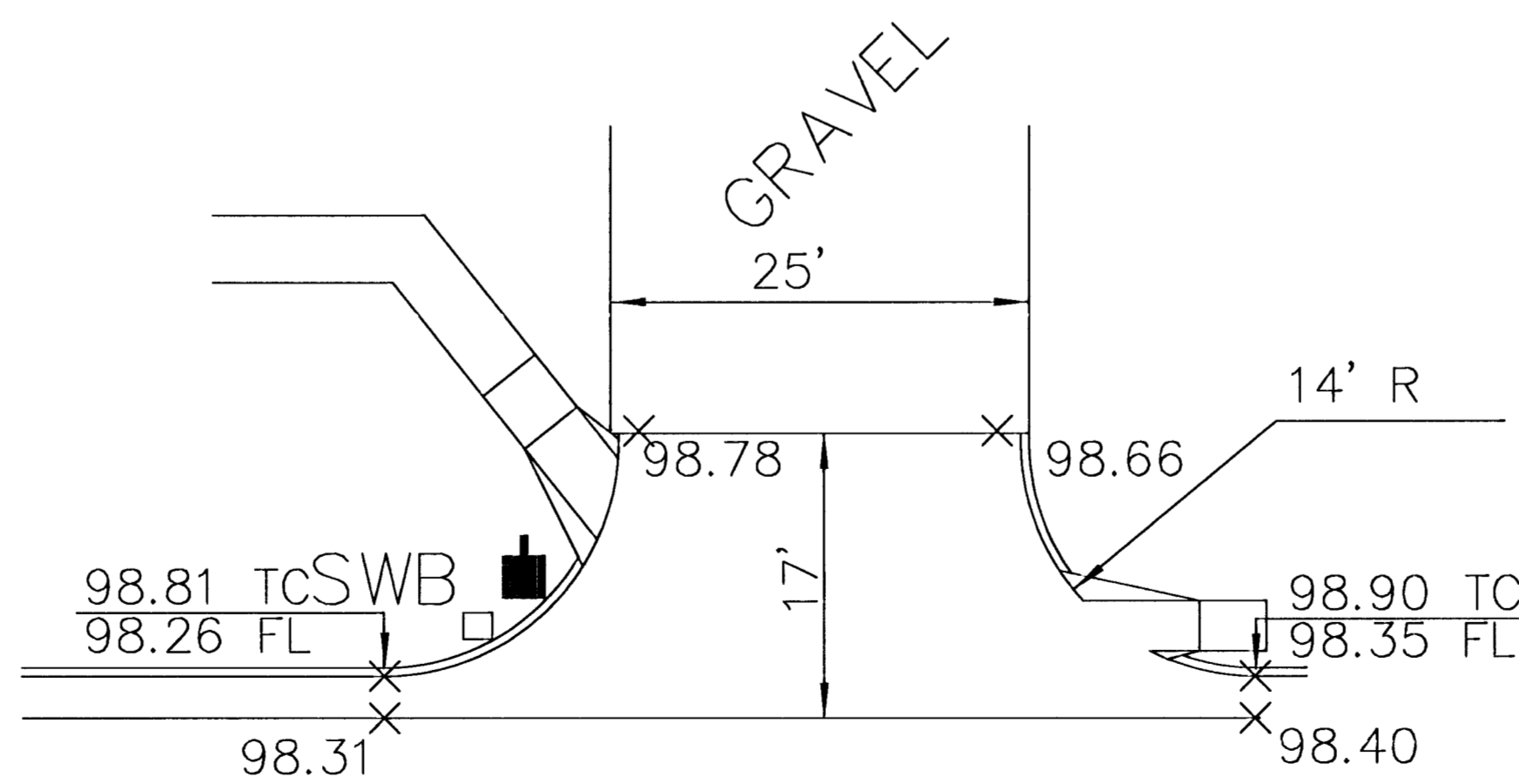
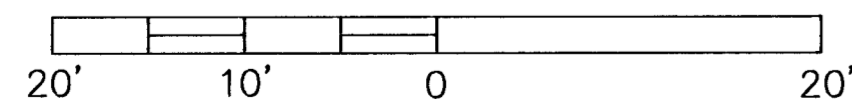
CITY OF WICHITA DRAINAGE IMPROVEMENTS			
PLAN MERIDIAN, 27TH ST. SO. TO CASADO CT. STA. 9+34.5 TO STA. 13+50			
DEPARTMENT OF PUBLIC WORKS/ENGINEERING	PROJECT NO. 468-82368 INDEX CODE 660217	SHEET NO 2 OF 3	
DATE FEBRUARY 1995	REV. JL		

BASELINE BACK OF CURB WEST SIDE  
OF MERIDIAN  
STA. 10+00 CENTERLINE OF 27TH ST SO.

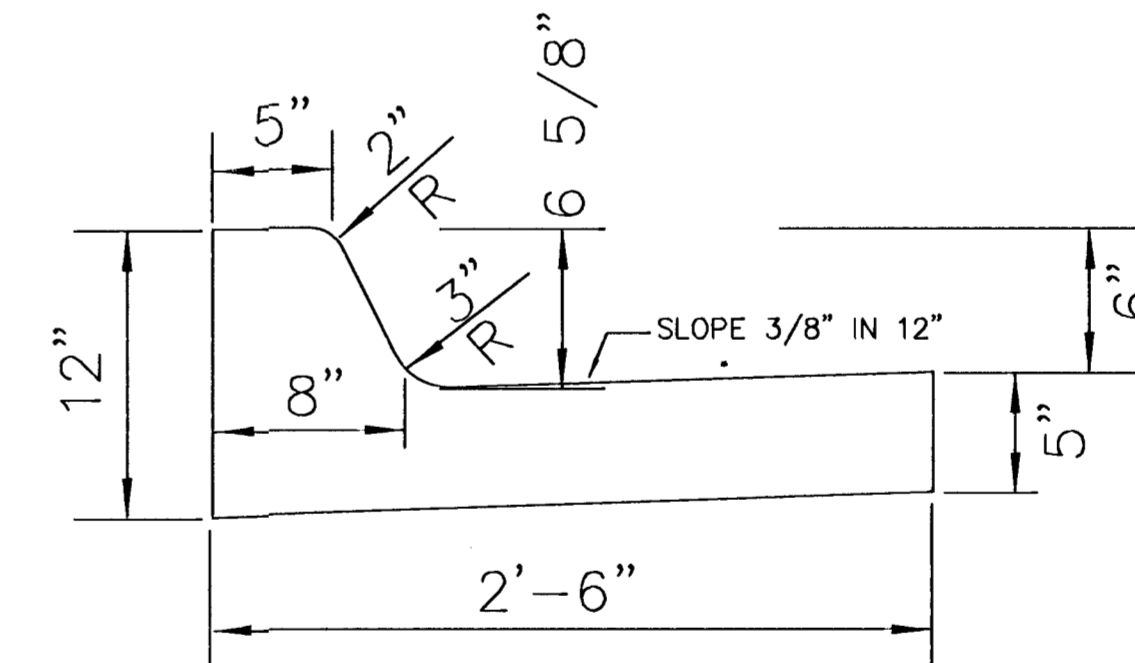
-  = MILL SURFACE COURSE AS NECESSARY
-  = CURB AND GUTTER AND PAVEMENT TO BE REMOVED AND REPLACED
-  = EXIST. ELEVATION
-  = PROPOSED ELEV.



PROPOSED  
PARKING  
APPROACH  
CL STA. 13+83



PROPOSED  
CASADO CT. AND MERIDIAN  
CL STA. 14+93



STANDARD DETAIL  
COMBINED CURB & GUTTER

CITY OF WICHITA DRAINAGE IMPROVEMENTS	
PLAN MERIDIAN, 27 TH ST. SO. TO CASADO CT. STA. 13+50 TO 15+58	
DEPARTMENT OF PUBLIC WORKS/ENGINEERING	PROJECT NO. 468-82368 INDEX CODE 660217
DATE FEBRUARY 1995	SHEET NO 3 OF 3 REV. J.L.