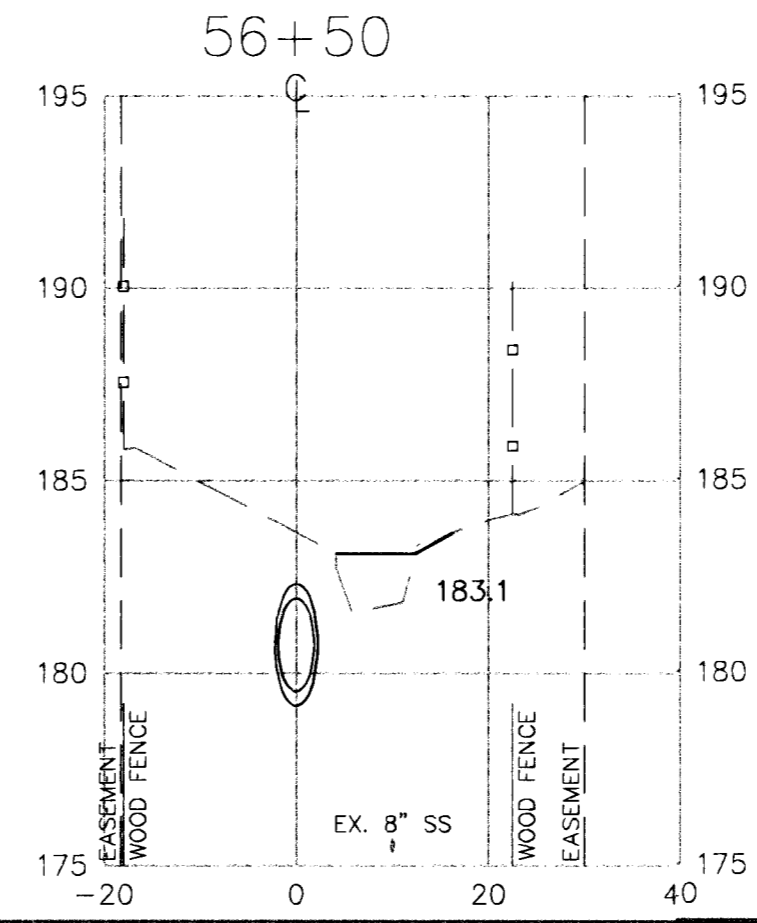
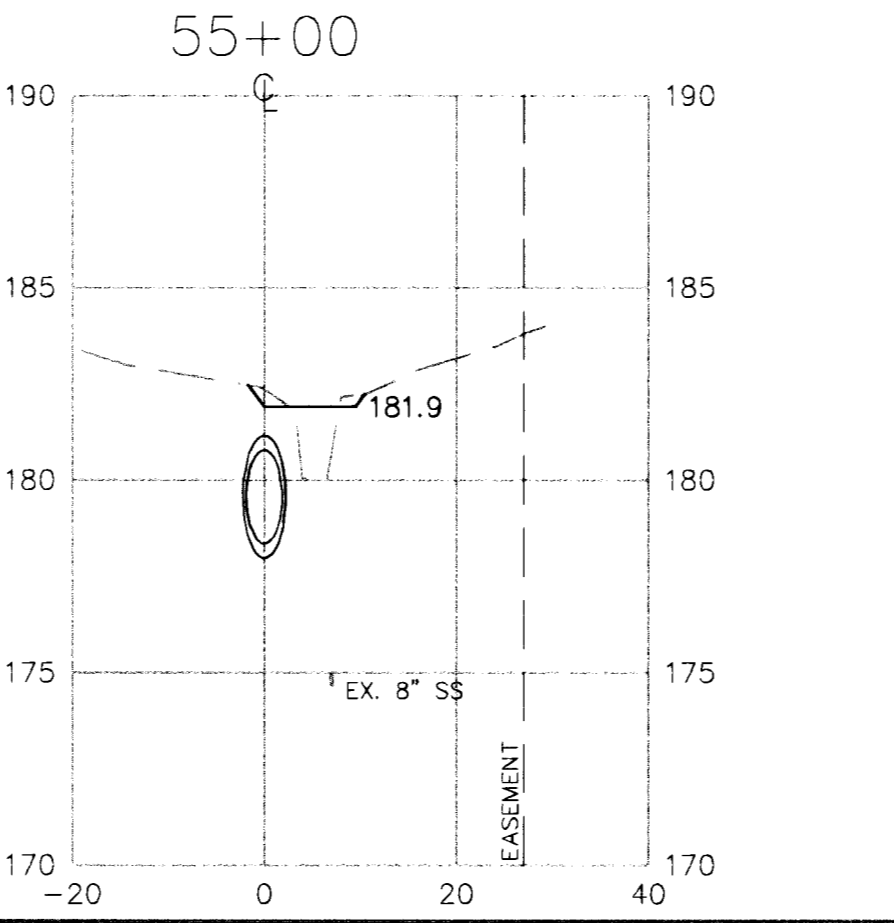
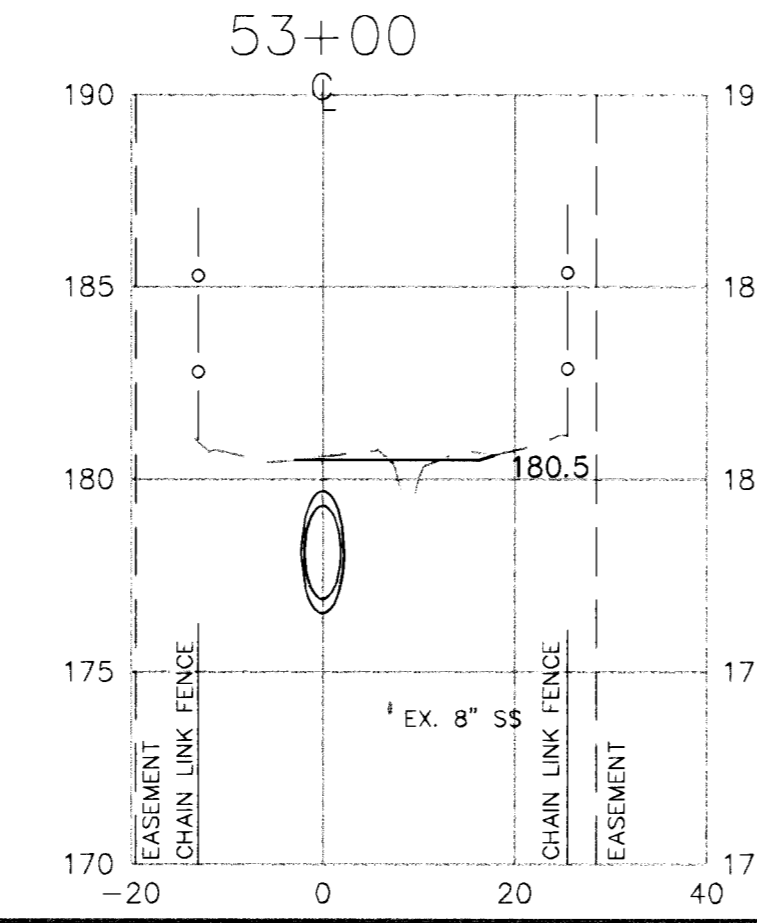
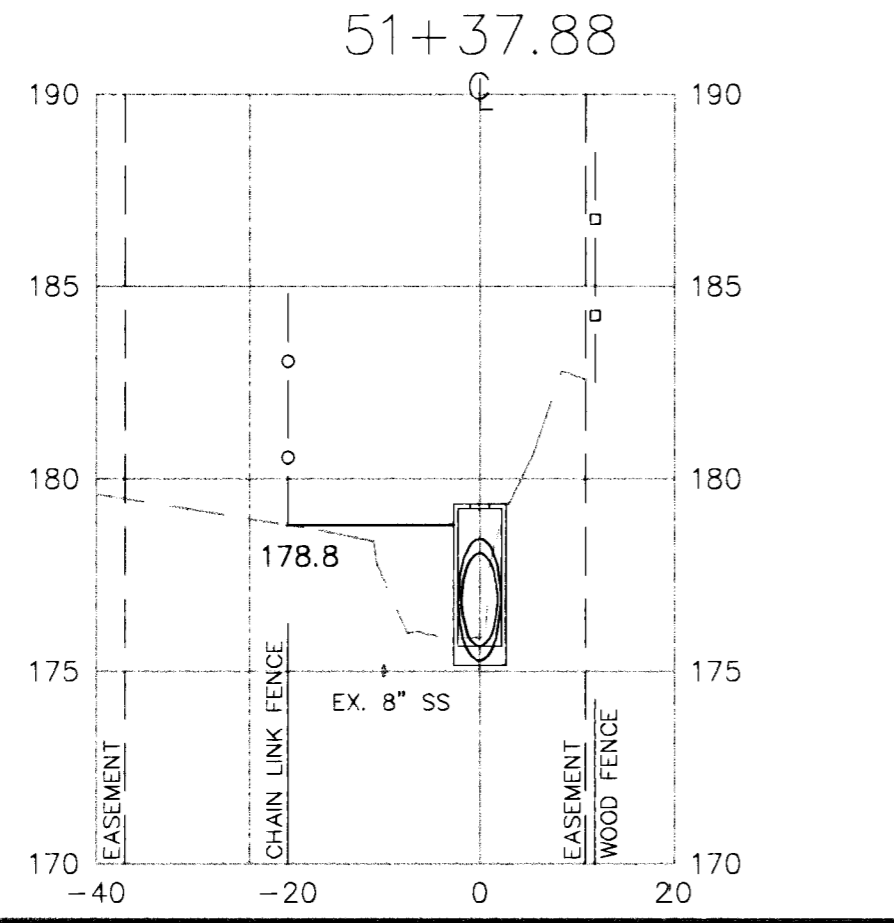
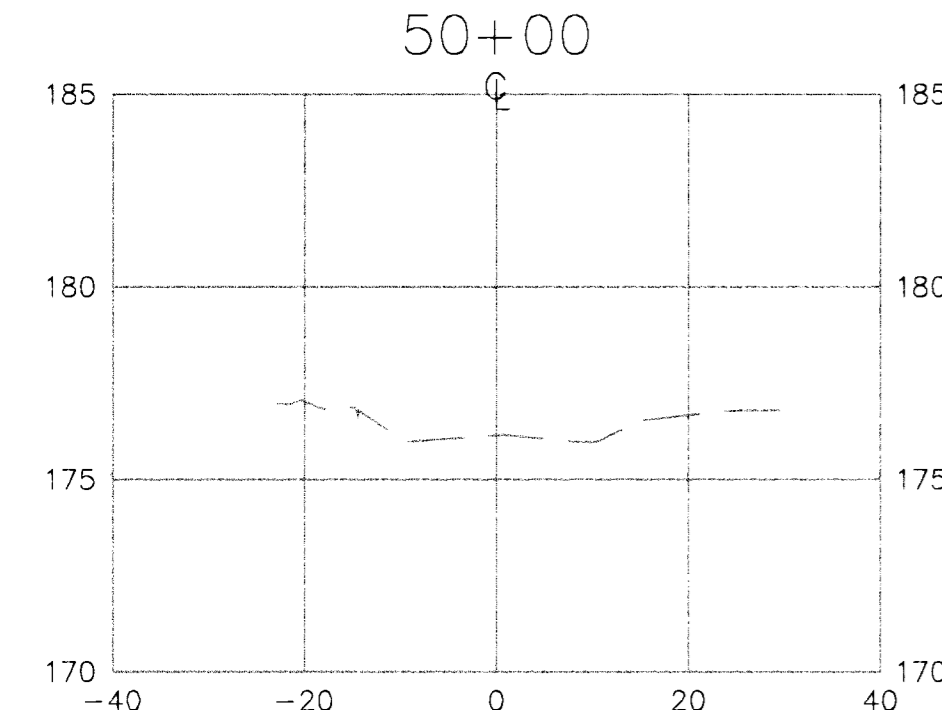
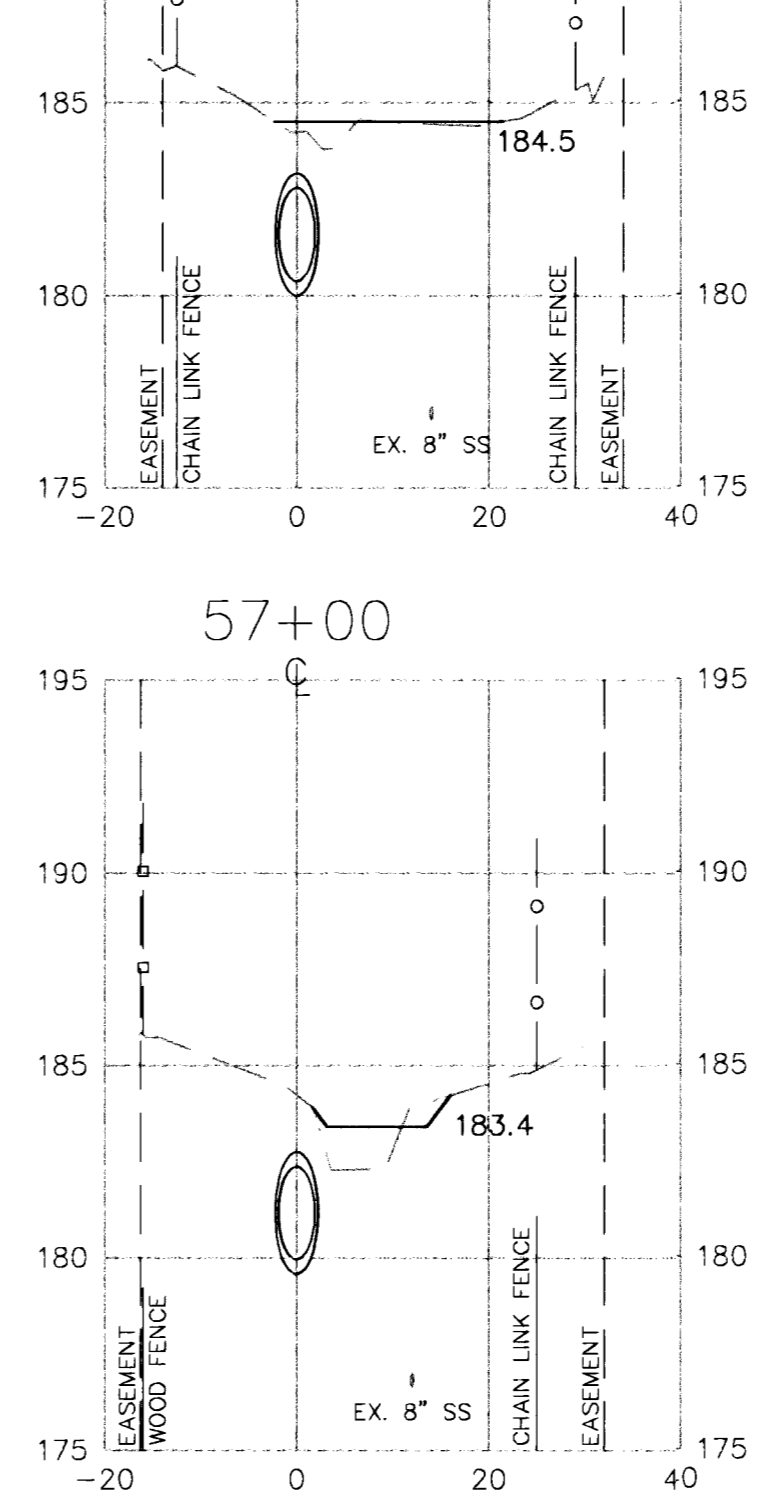
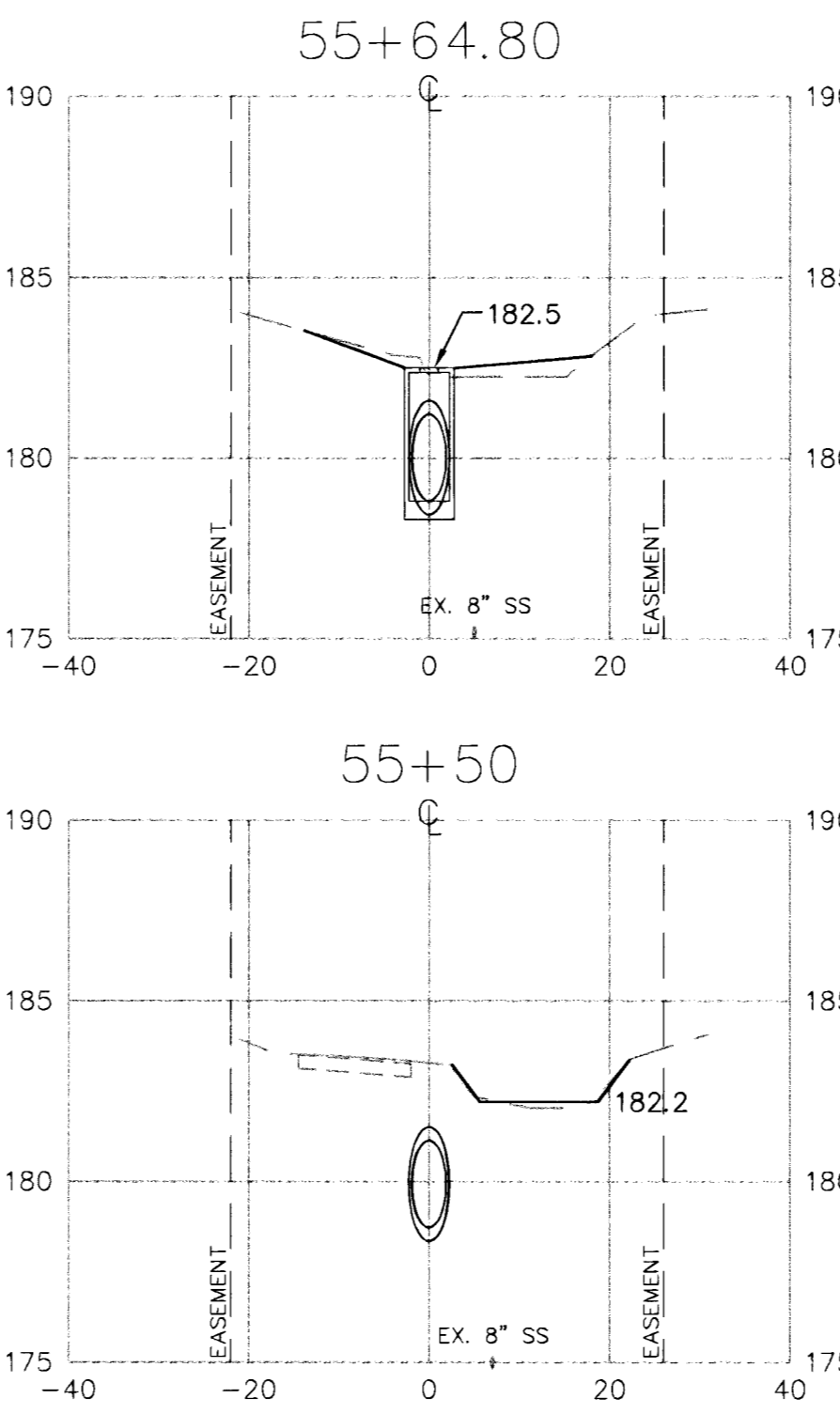
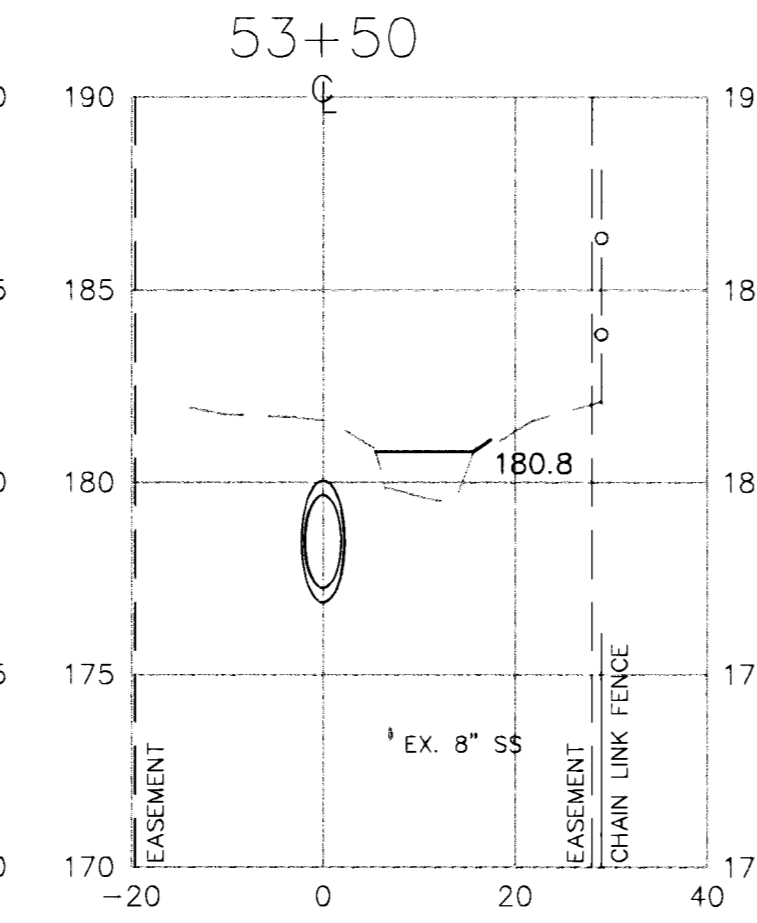
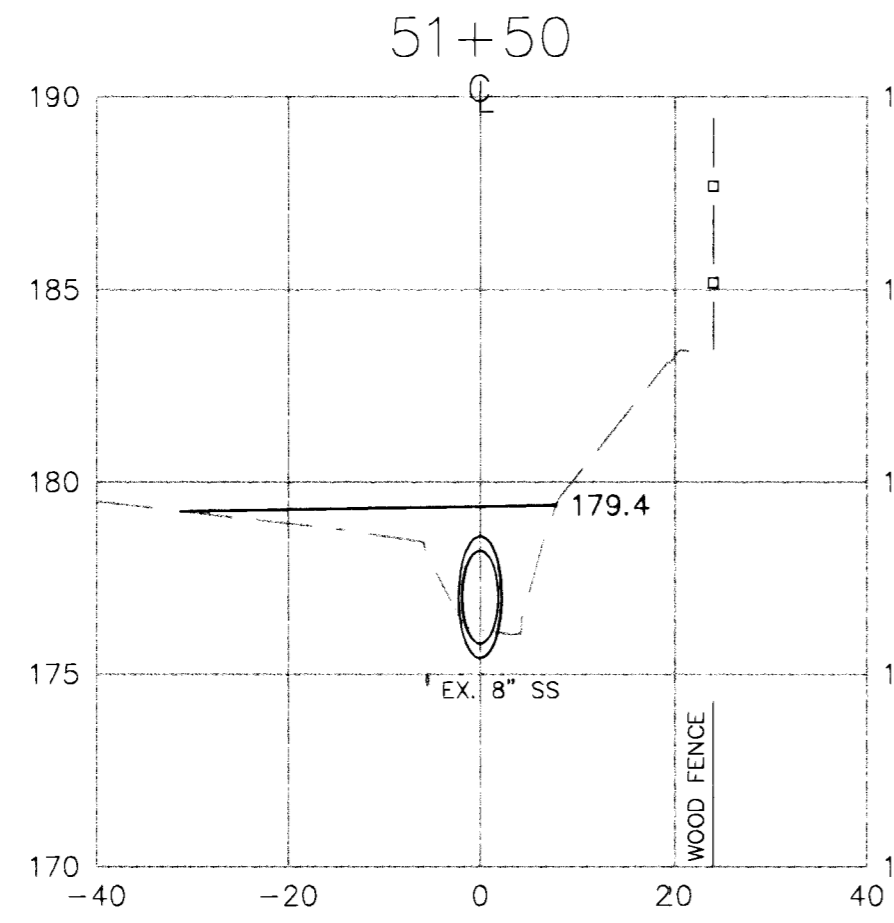
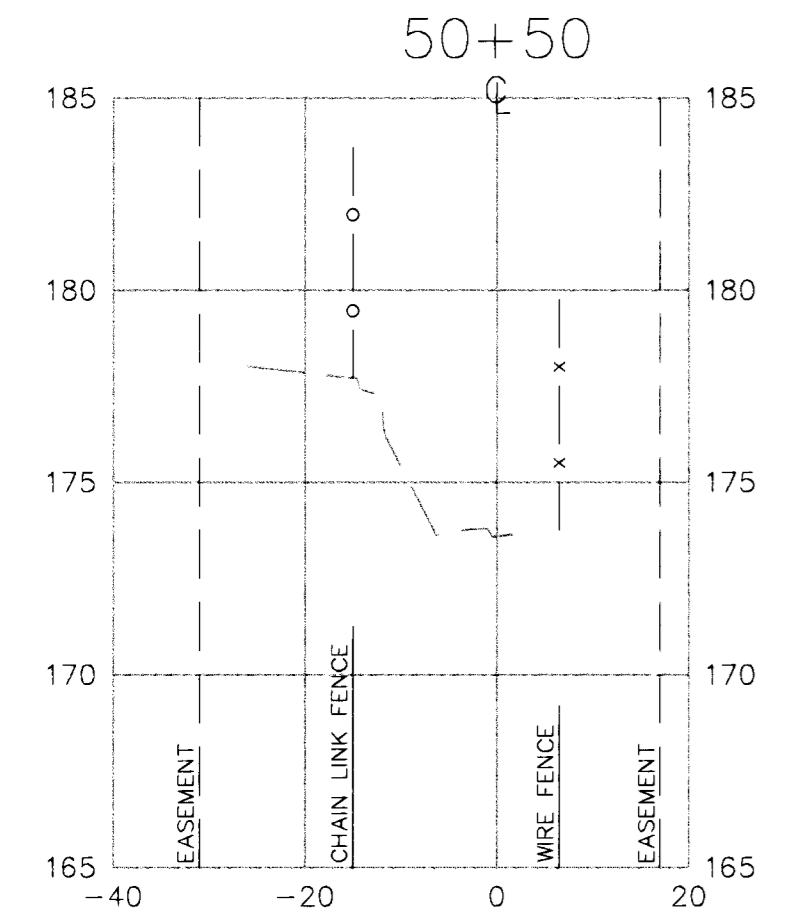
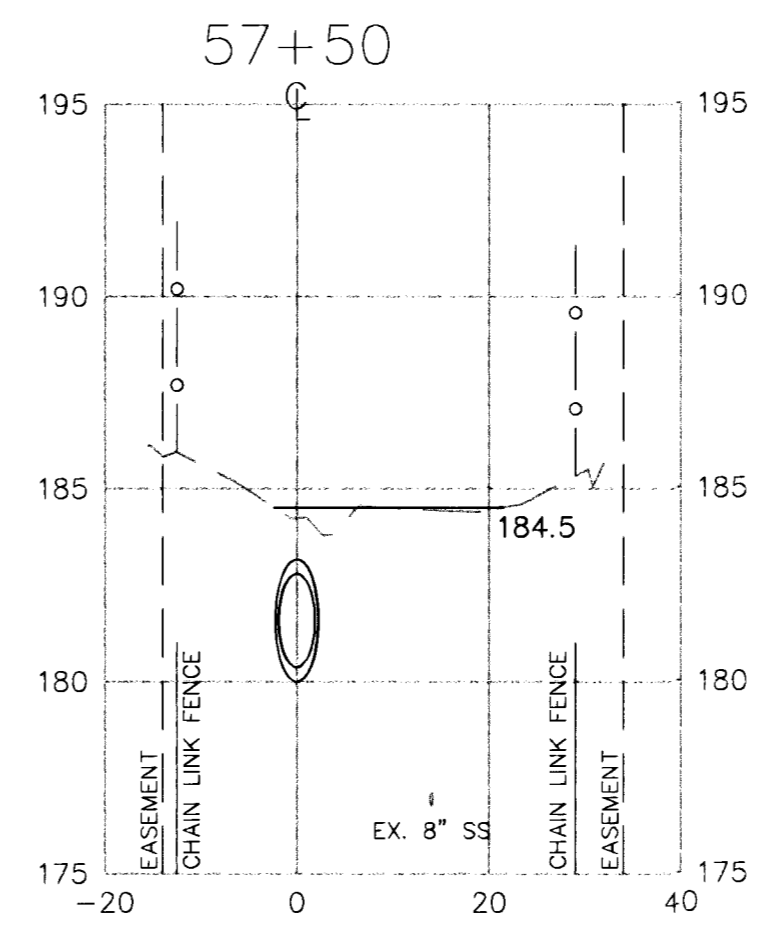
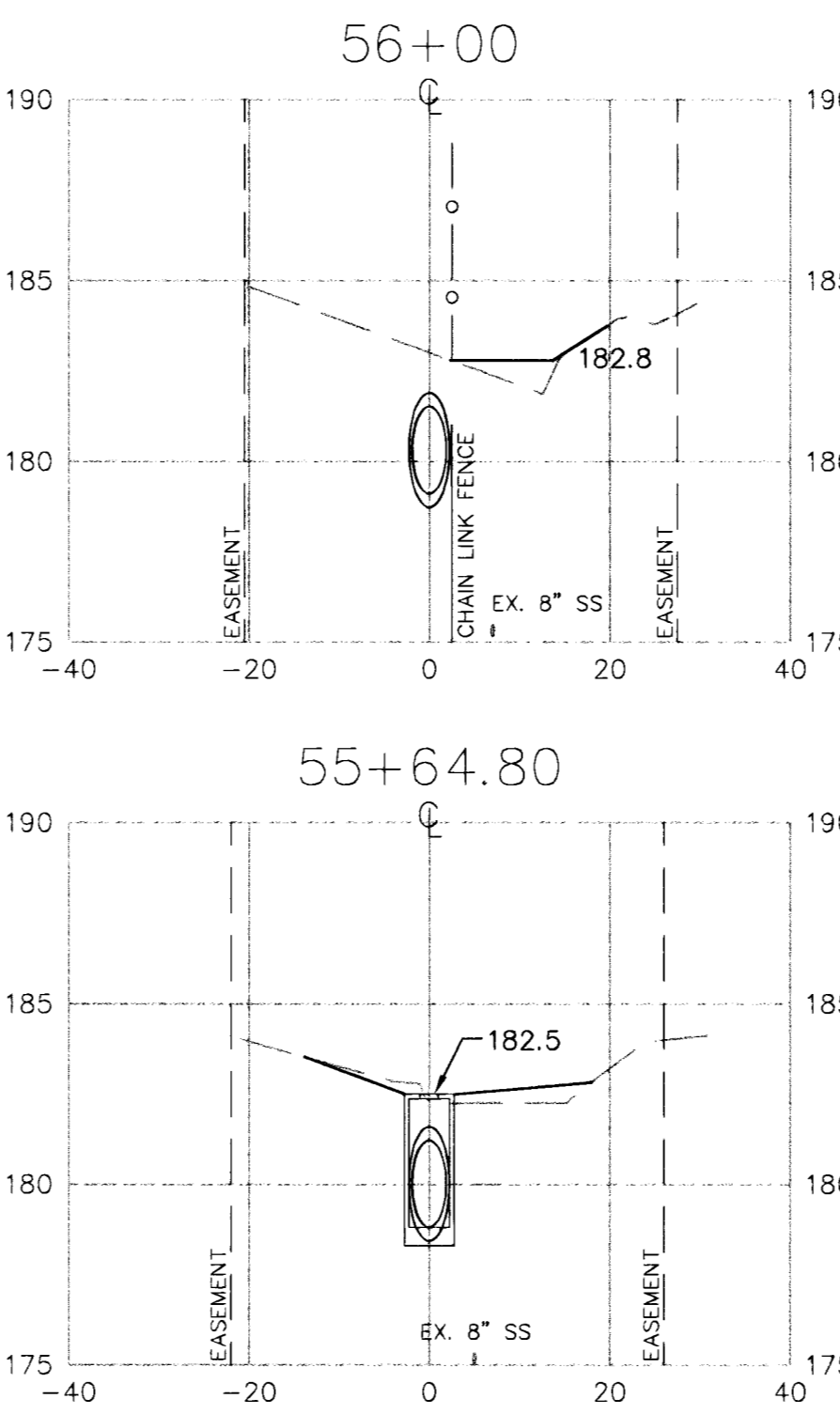
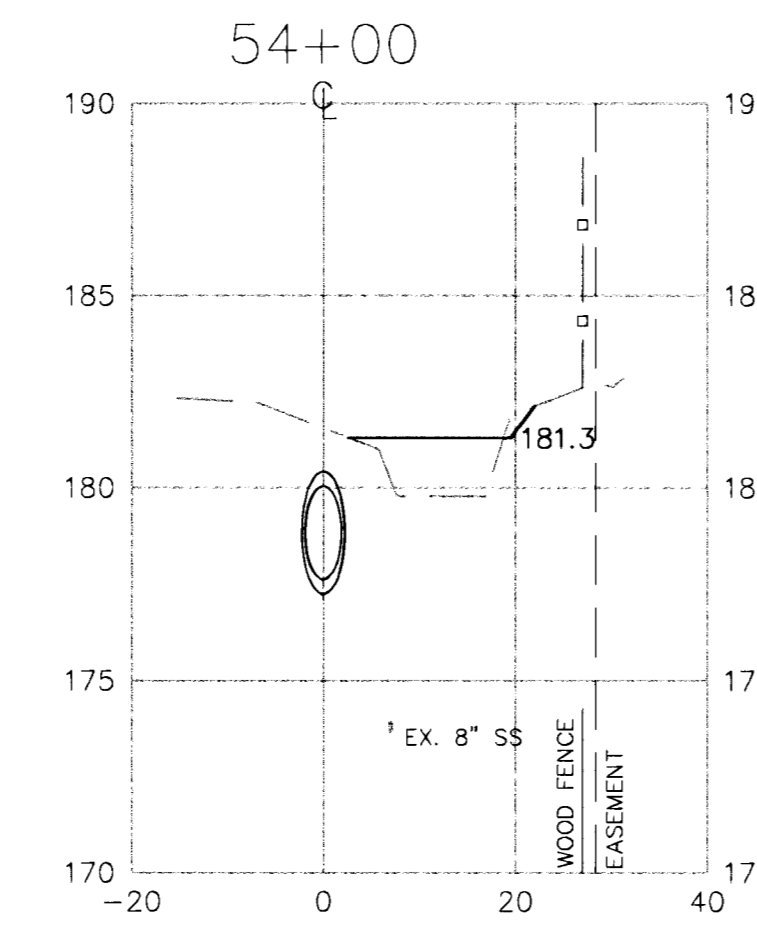
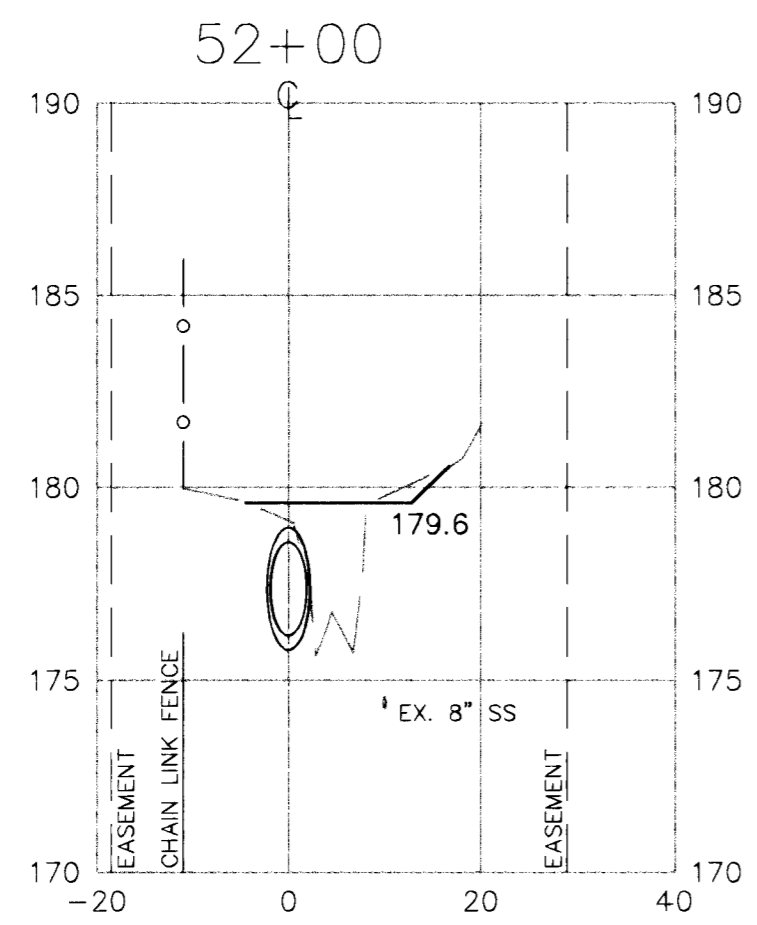
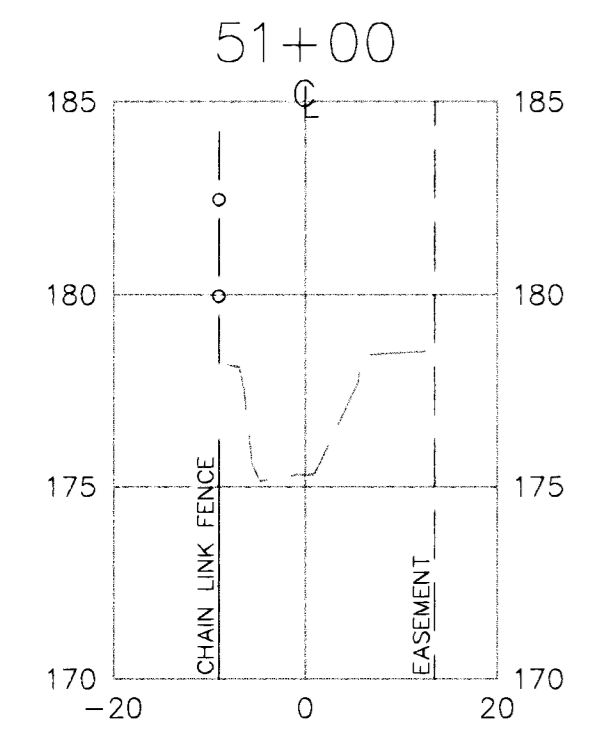
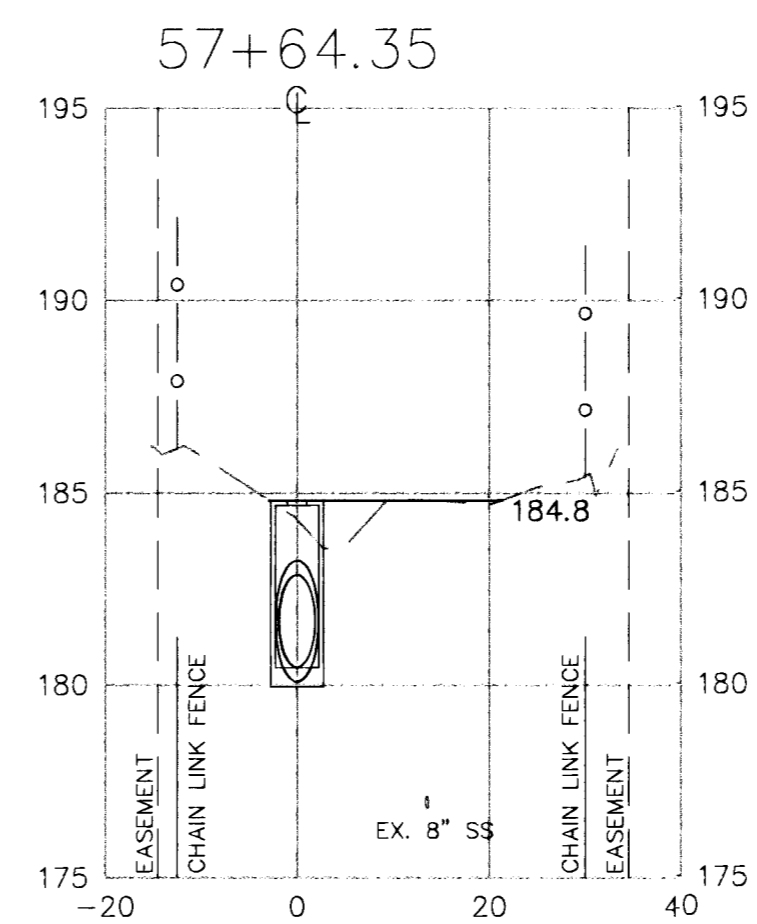
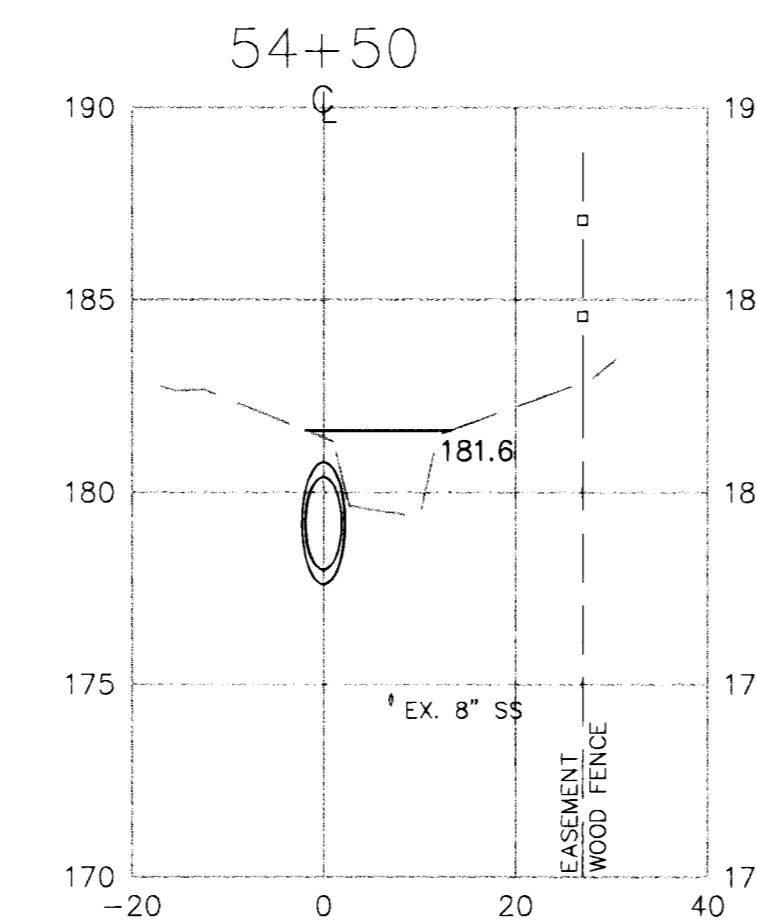
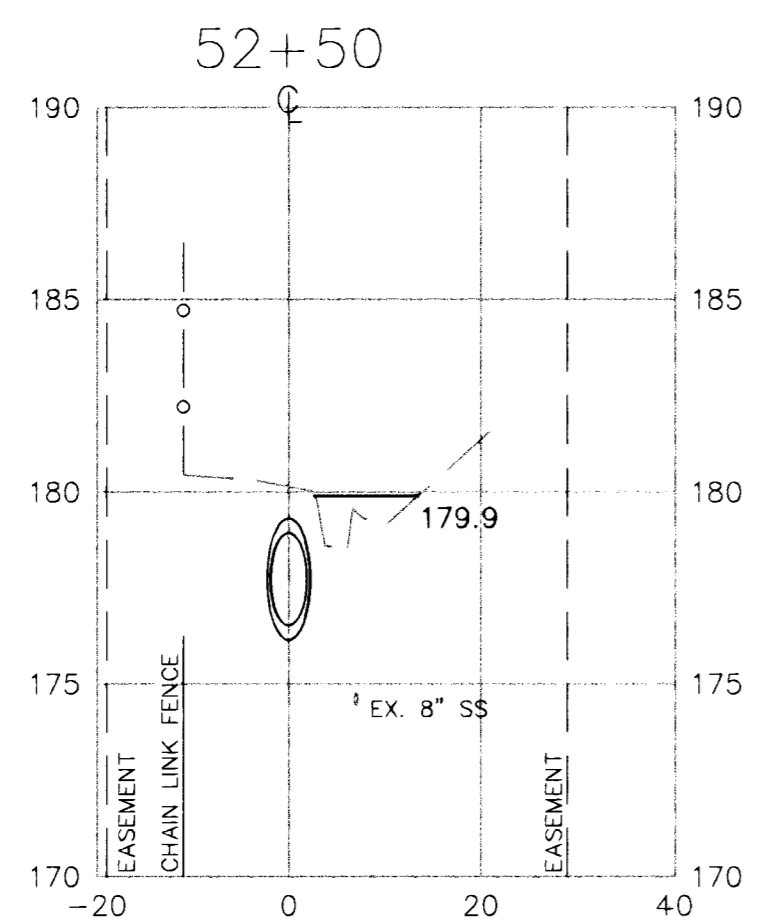
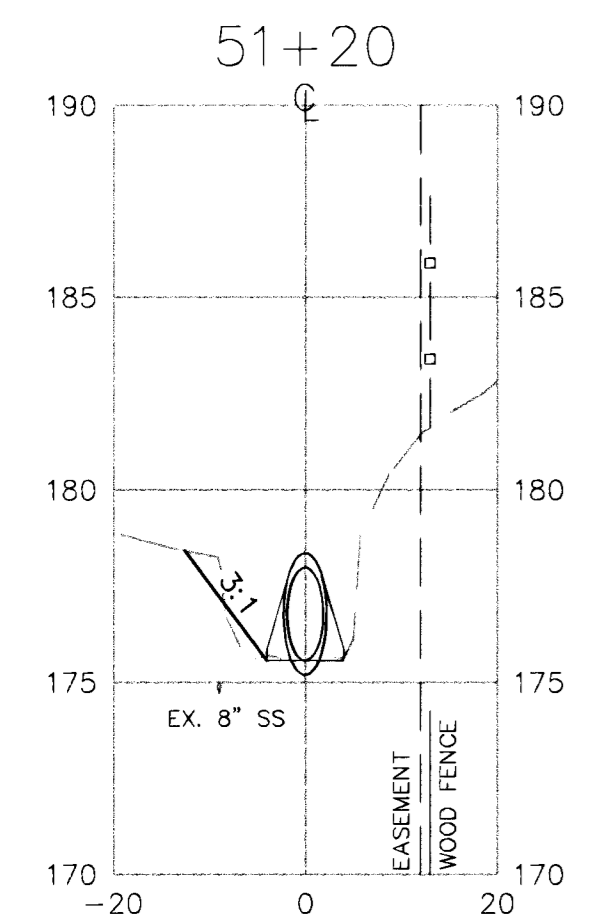


01:1801\1801XSEC Thu, Sep 19 08:29:25 1996 JAN



SCALE:  
1"=20' HORIZ.  
1"=5' VERT.

1	9-19-96	REVISED PER C.O.W. COMMENTS	JT
NO.	DATE	REVISION	BY
<b>CROSS-SECTIONS</b>			
P.O. BOX 1304 2319 NORTH JACKSON JUNCTION CITY, KANSAS (913)762-5040 FAX 913-762-7744		<b>KAW VALLEY</b> <b>ENGINEERING, INC</b> 122 N.W. PARKWAY RIVERDale, MISSOURI 64150 (816)887-5033 9571 ALDEN ROAD LENEXA, KANSAS 66225 (913)894-5150	
PROJ. NO. 96-1801	DATE SEPT 9, 1996	DESIGNER SDM	DRAWN BY JT
		CHECKED BY	CFN
		SHEET 5 OF 8	1801XSEC