

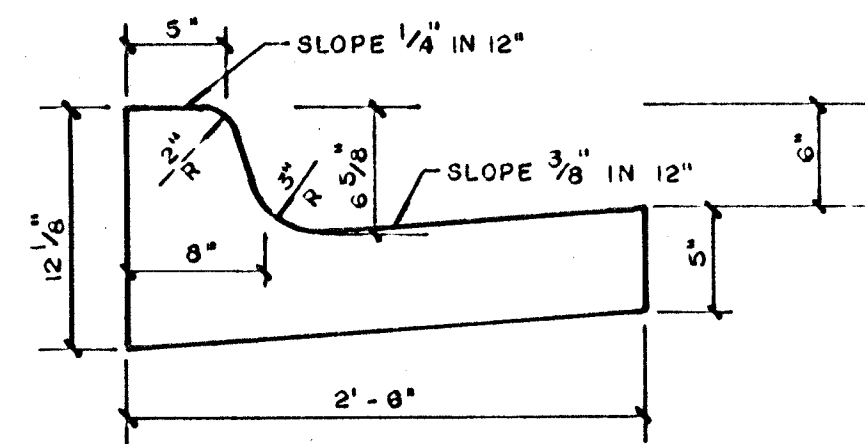
TYPICAL SECTION

31' ASPHALTIC CONCRETE PAVEMENT WITH BITUMINOUS BASE

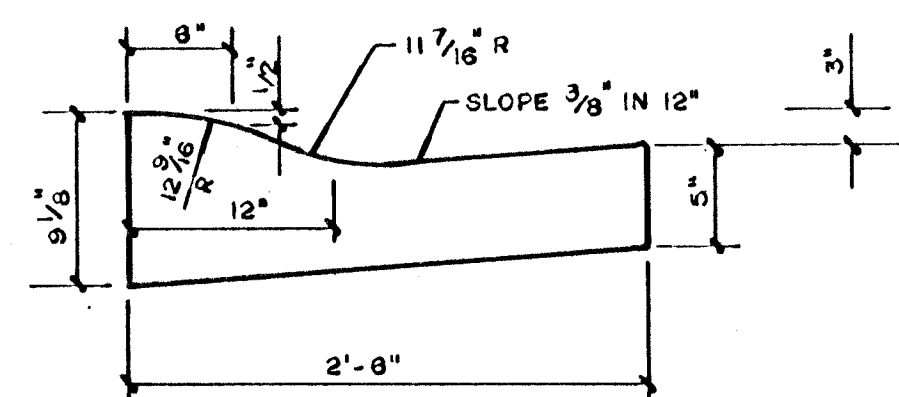
A TACK COAT OF EMULSIFIED ASPH(SS-IH or CSS-IH) SHALL BE APPLIED AT AN APPROXIMATE RATE 0.05 GALLONS PER SQ YD BETWEEN LIFTS OF ASPHALTIC MATERIALS WHEN ORDERED BY THE ENGINEER. TACK COAT WILL NOT BE PAID DIRECTLY AND SHALL BE CONSIDERED AS SUBSIDIARY TO PRICE BID FOR ASPHALTIC PAVEMENT, BITUMINOUS BASE AND ASPHALTIC CONCRETE WEARING SURFACE SHALL BE PLACED WITH A LAYDOWN MACHINE HAVING AUTOMATIC CONTROLS FOR CROWN AND GRADE. CONSTRUCTION JOINTS IN EACH LIFT SHALL BE STAGGERED A MINIMUM DISTANCE OF 1' WITH JOINTS IN PRECEDING LIFTS AND PLACED SUCH THAT A JOINT WILL BE CONSTRUCTED ON THE CENTERLINE IN THE TOP LIFT.

THE A.C. PAVEMENT BETWEEN THE COMBINED CURB AND GUTTER SHALL BE PAID AS SQ YDS 8" A.C. PAVEMENT (6" BITUMINOUS BASE).
THE BITUMINOUS BASE UNDER THE COMBINED CURB AND GUTTER SHALL BE PAID AS SQ YDS 3" BITUMINOUS BASE.

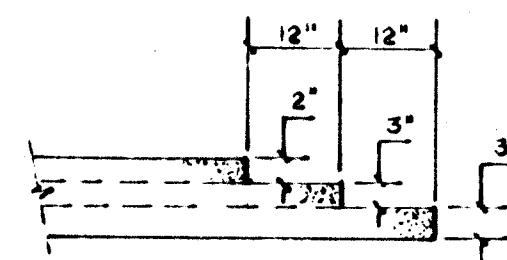
COMBINED CURB & GUTTER



ROLL TYPE CURB & GUTTER



DETAIL OF TRANSVERSE CONSTRUCTION JOINTS



TRANSVERSE CONSTRUCTION JOINTS SHALL BE CONSTRUCTED IN FLEXIBLE BASE PAVEMENTS AT LOCATIONS WHERE PAVEMENT TEMPORARILY ENDS TO FACILITATE FUTURE PAVEMENT CONSTRUCTION AS SHOWN BY DETAIL. THE COST OF CONSTRUCTING THE TRANSVERSE CONSTRUCTION JOINTS SHALL NOT BE MEASURED OR PAID FOR DIRECTLY BUT SHALL BE INCLUDED IN THE BID PRICE FOR SQUARE YARDS OF A.C. PAVEMENT.