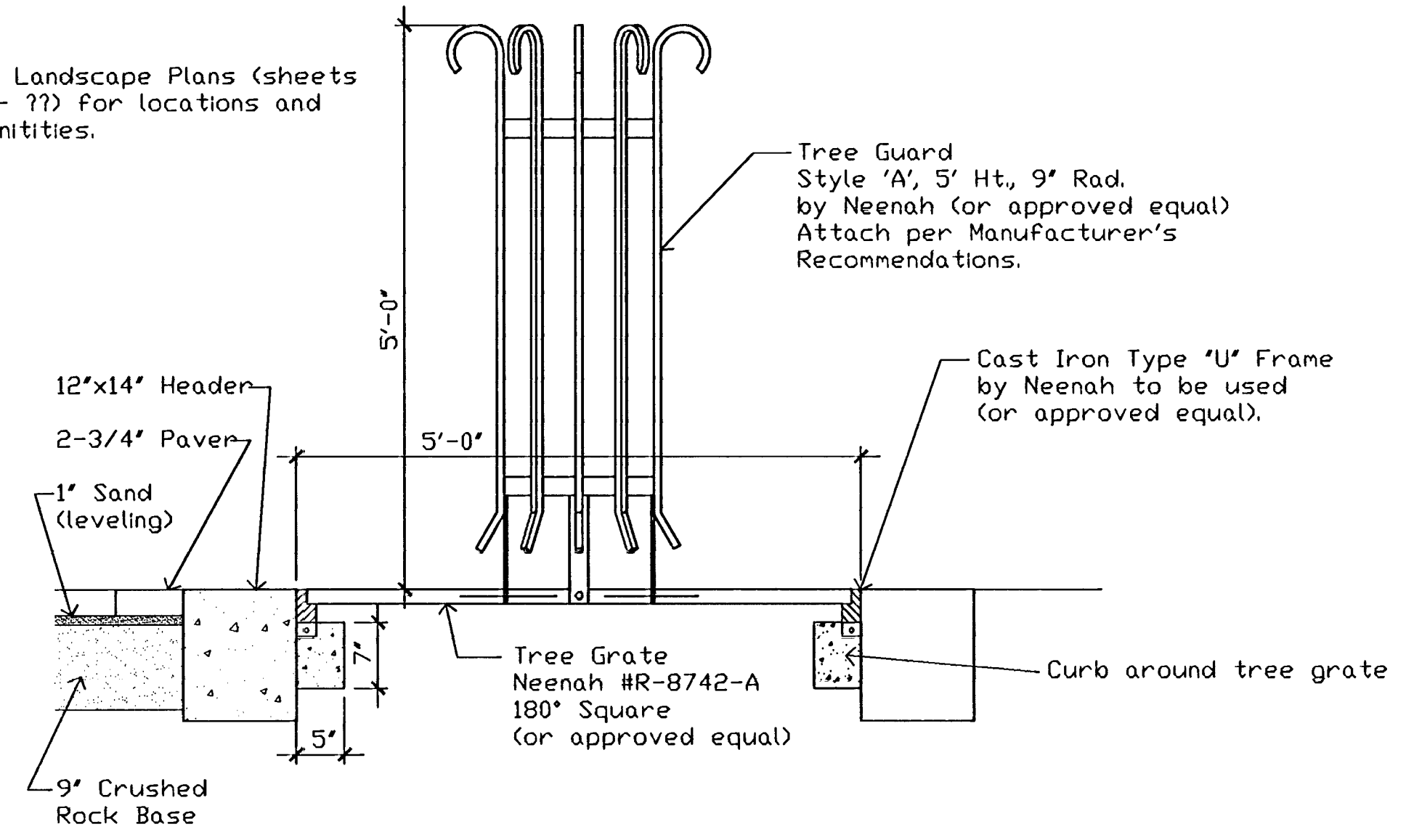


NOTE: See Landscape Plans (sheets ?? - ??) for locations and quantities.

PLANT MATERIAL COUNT THIS SHEET	
SKYLINE HONEY LOCUST	3
LACEBARK ELM	2
DSHAGE ORANGE	3

SITE FURNITURE COUNT THIS SHEET	
TRASH RECEPTACLES	4



1 TREE GRATE DETAIL
NOT TO SCALE



LANDSCAPE PLAN ROCK ISLAND			
SRB		841 SOUTH HILLSIDE WICHITA, KANSAS 67211	
316-652-7754 FAX 652-7932		PROJECT NUMBER 472-82373	
SAVOY, RUGGLES & BOHM, P. A. ENGINEERING & SURVEYING			
DRWN	DESIGN	REVIEW	DATE
TB	TDM	TCR	3/22/94
UTILITY			SRB JOB
			70E
			17
			31