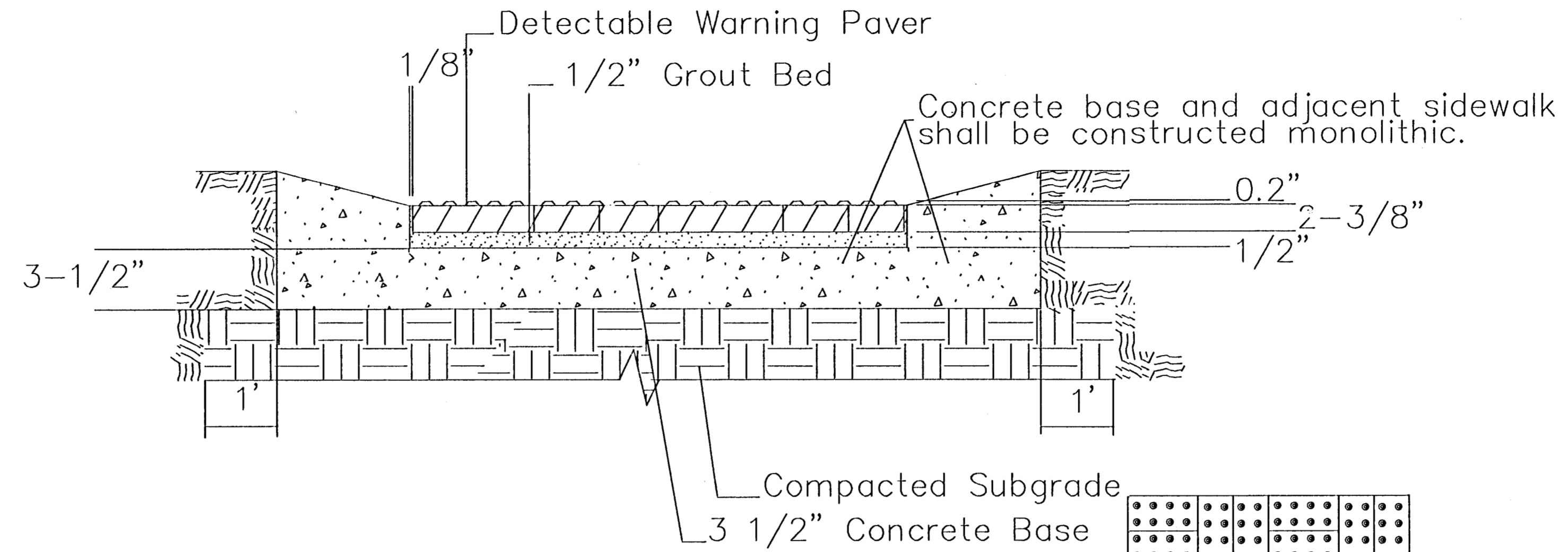


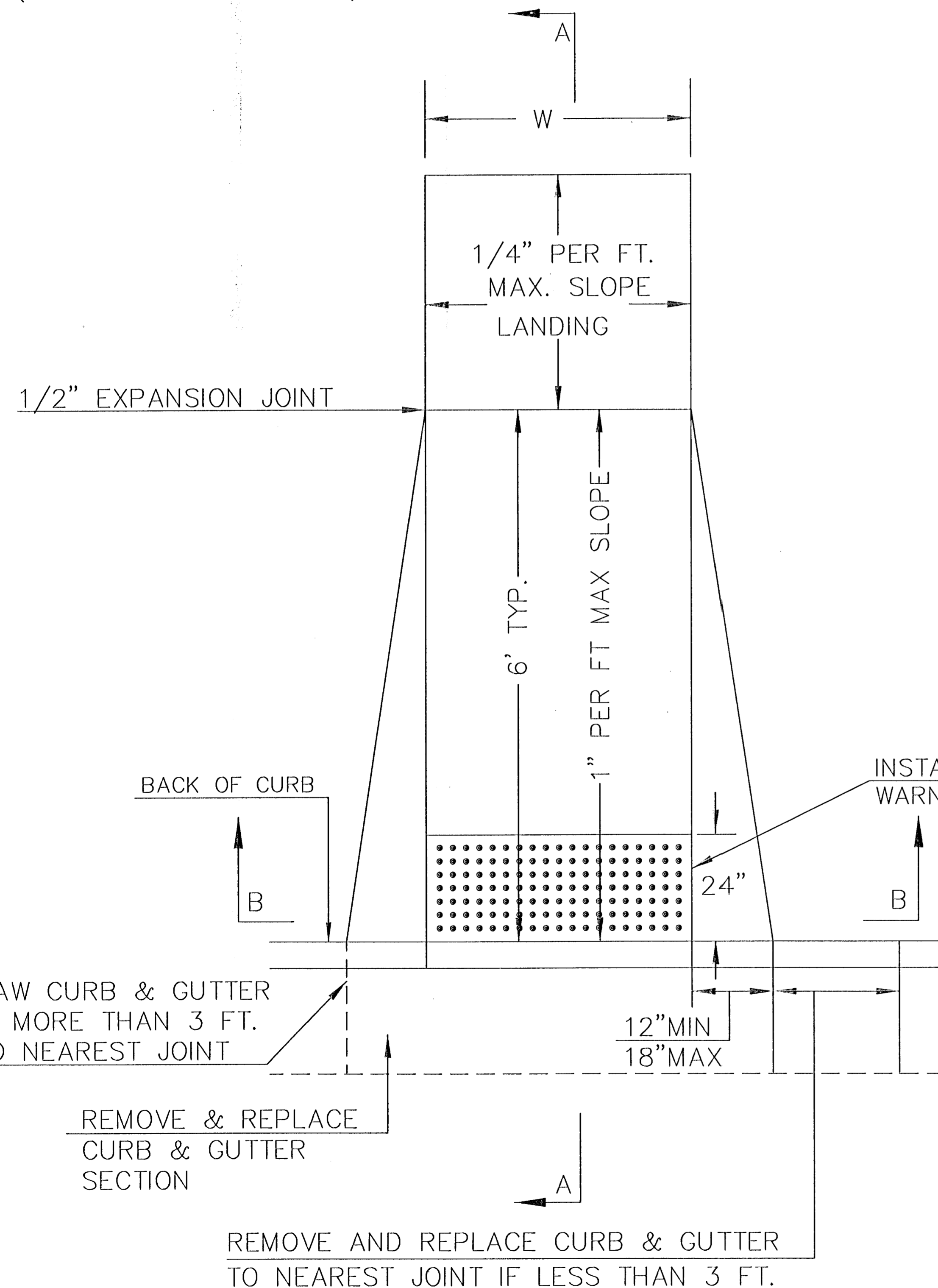
# CONSTRUCTION DETAIL FOR STREETS WITH COMBINED CURB & GUTTER

W= 4'0" FOR STANDARD RAMP  
 W= 5'0" FOR RAMPS AT SCHOOL CROSSWALKS  
 (OR TO MATCH EXISTING)

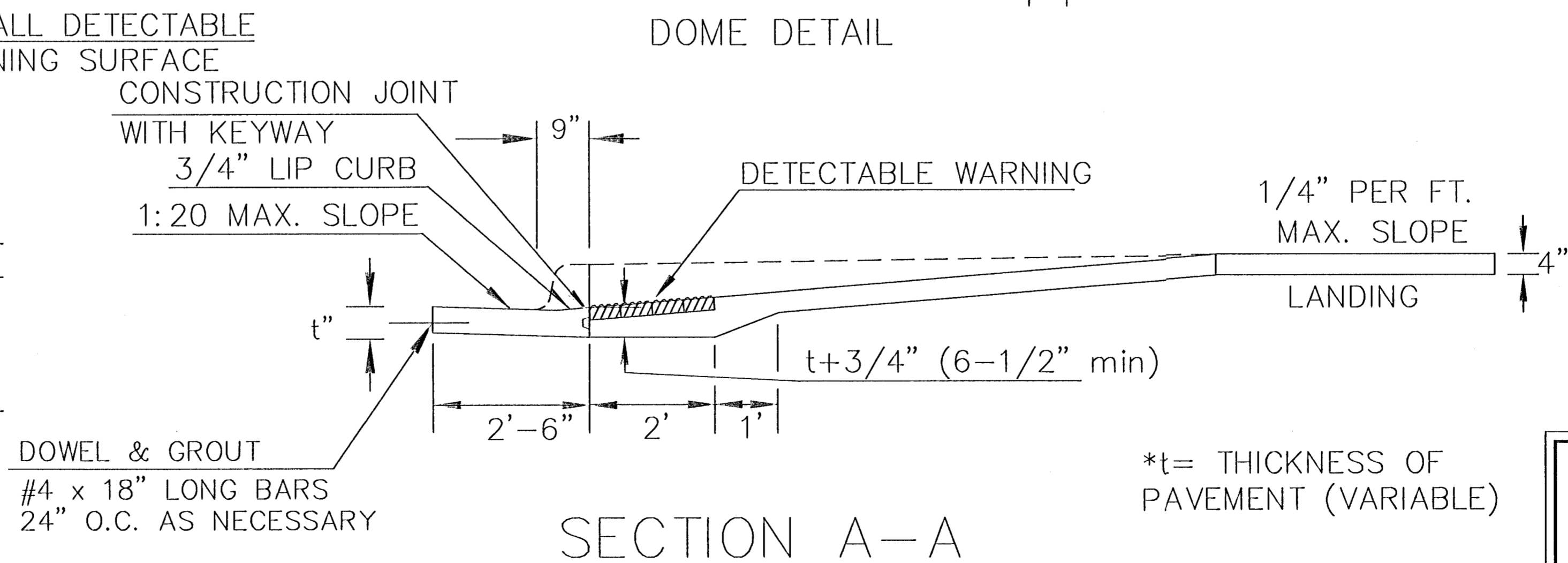
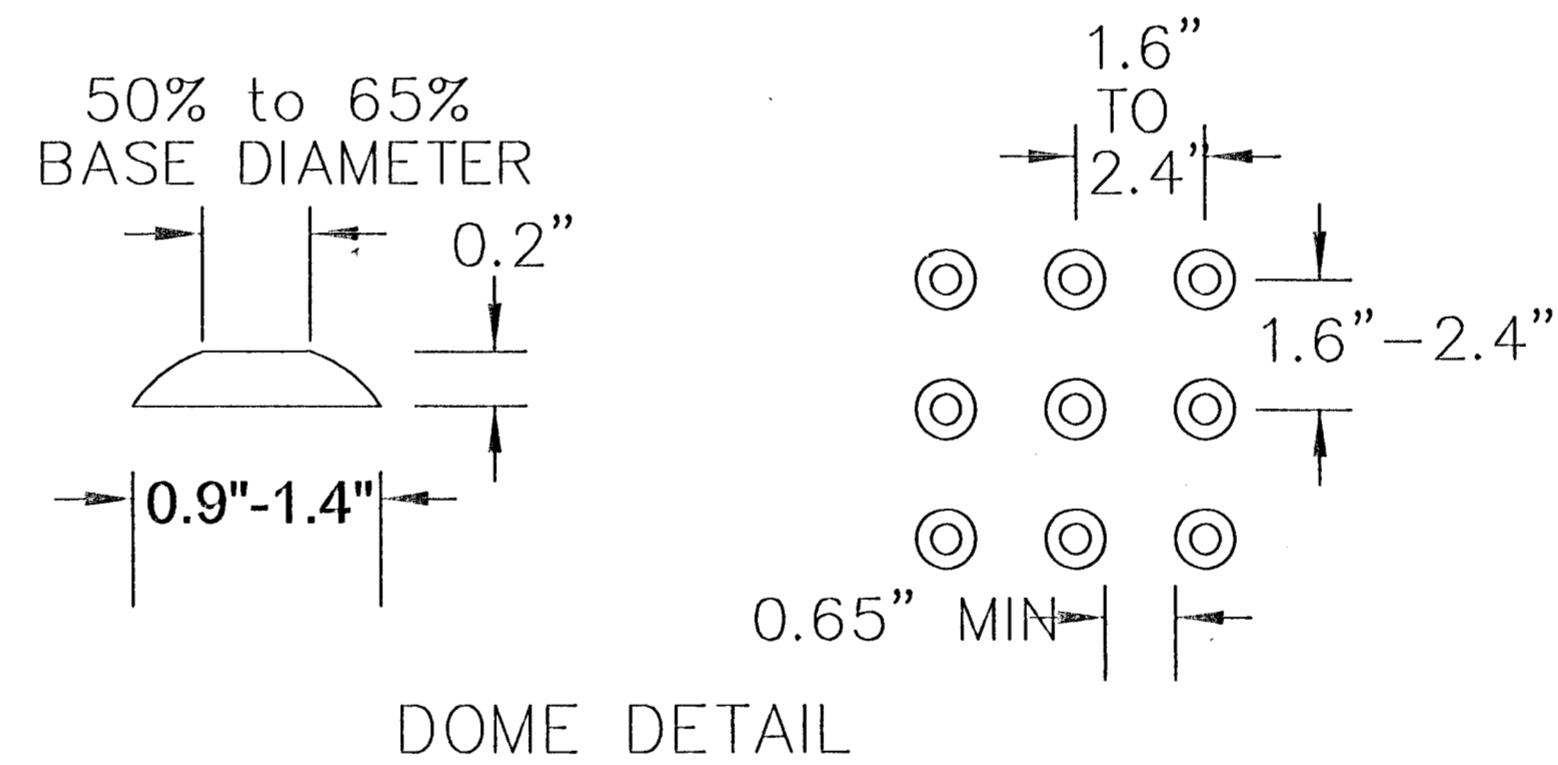


TYPICAL SECTION DETECTABLE WARNING PAVER

NOTE: RAMPS TO COMPLY WITH LATEST ADAAG GUIDELINES.  
 PAVESTONE DETECTABLE WARNING PAVERS (OR AN APPROVED EQUAL) SHALL BE USED IN ALL WHEELCHAIR RAMPS. THE RED PAVER SHALL BE INSTALLED USING A BASKET WEAVE/PARQUET PATTERN. OTHER PATTERNS MAY BE USED WITH APPROVAL OF ENGINEER. SAND FILL JOINTS. ALIGN DOMES IN THE DIRECTION OF PEDESTRIAN TRAVEL.



SECTION B-B



\*t= THICKNESS OF PAVEMENT (VARIABLE)

SECTION A-A

AUGUST 4, 2003



CENTURY II PLAZA LOT WCR RAMP (A) WITH DW			
CITY ENGINEER JAMES L. ARMOUR, P.E.			
PROJECT NUMBER 472 - 83951	OCA NUMBER 706878	DATE 3-2-04	
CITY ENGINEER'S OFFICE CITY HALL - SEVENTH FLOOR 459 NORTH MAIN STREET WICHITA, KANSAS 67202-1620 (316) 268-4501 (316) 268-4114 FAX		DESIGN LRB	DRAWN LRB
		SHEET 8 OF 8	