

**STREET LIGHTS
AUGER FOUNDATION FOR STEEL POLES**

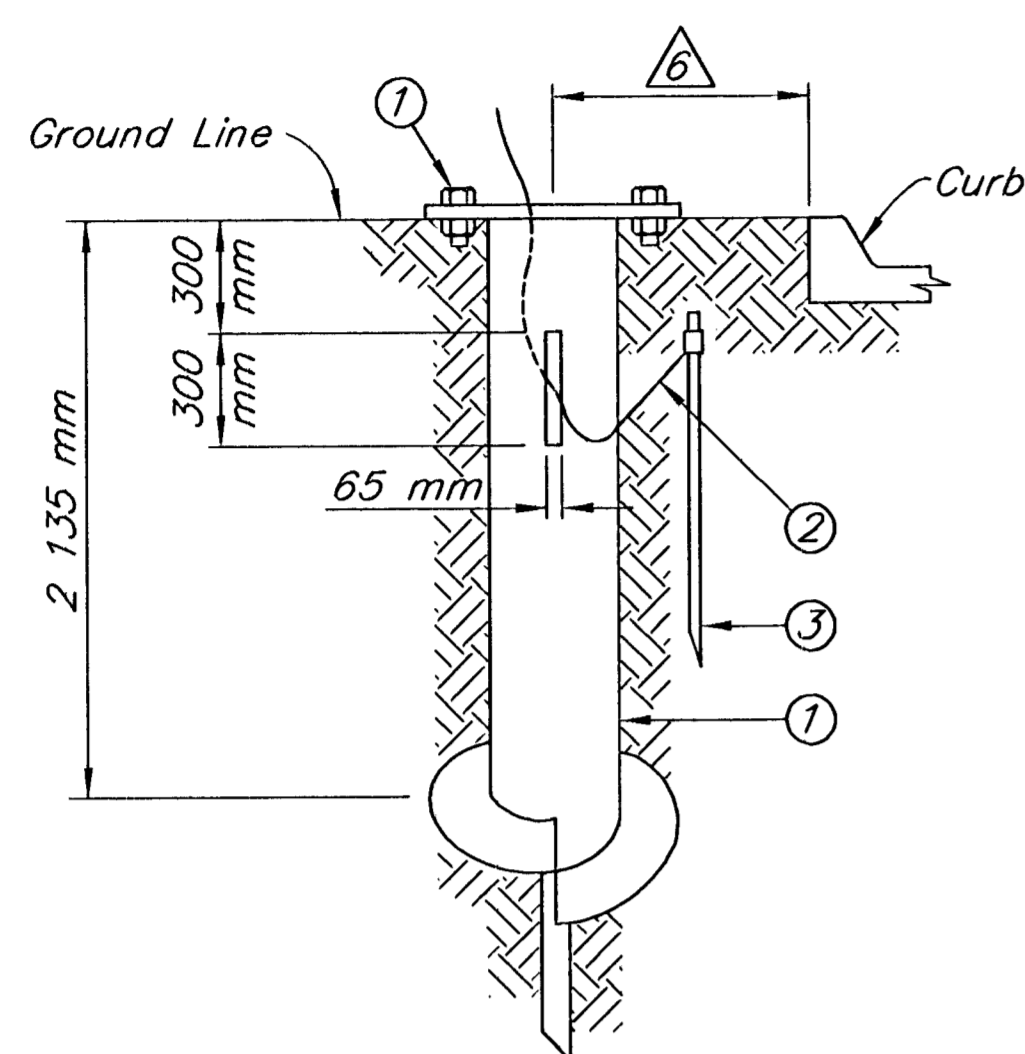


FIG. 1

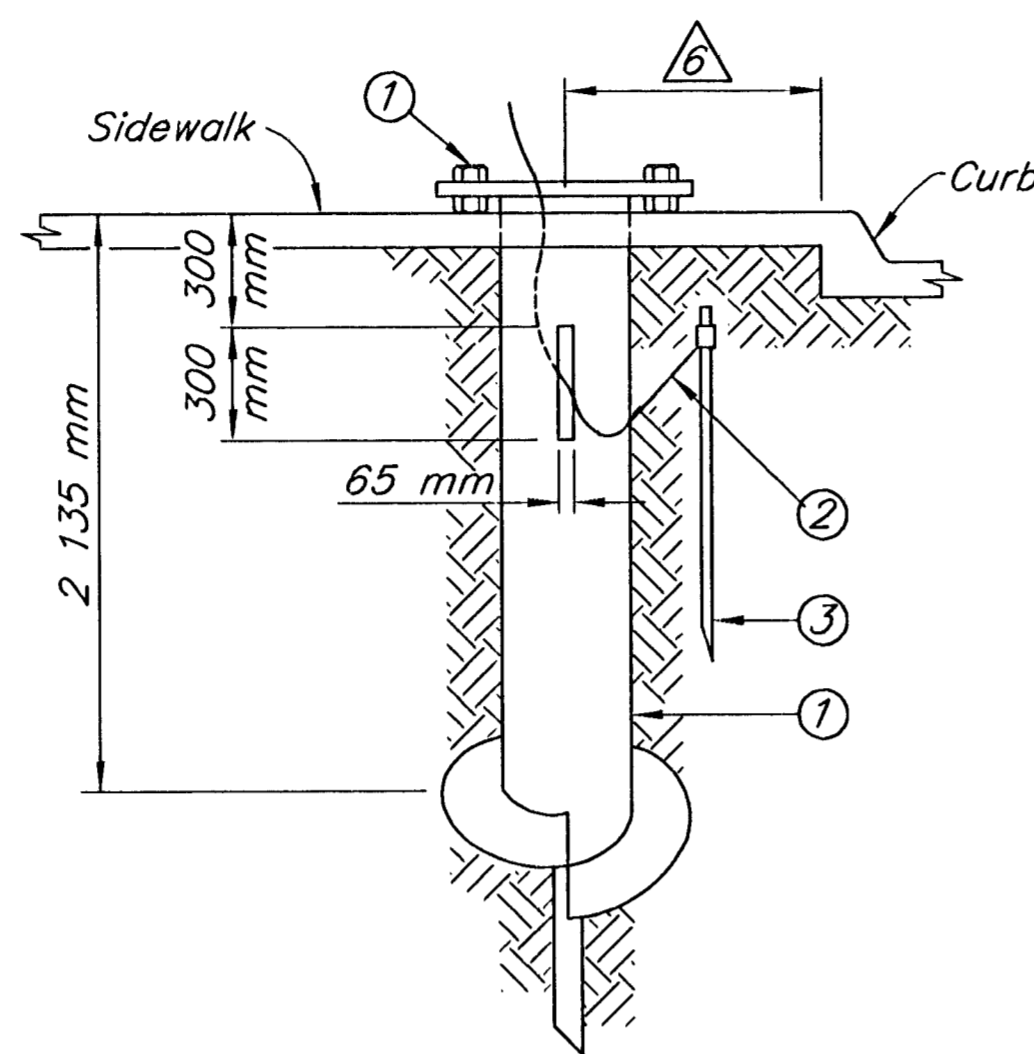
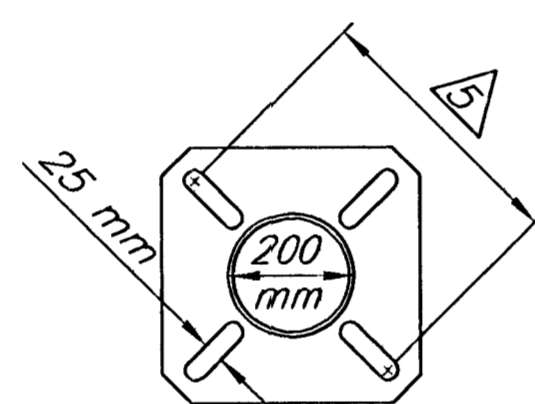


FIG. 2



BASE PLAN VIEW

* BILL OF MATERIALS		
	DESCRIPTION	QTY
①	Assembly	1.0
②	#4 SDB Cu.	0.5
③	Ground Rod	1.0

* For information only

STREET LIGHT BASES SUMMARY				
LOCATION	STATION	LT.	RT.	QUANTITY
Broadway	22+674	8.5 m		1
	22+704		13 m	1
	22+734	8.5 m		1
	22+764		13 m	1
	22+845	8.5 m		1
	22+875		13 m	1
	22+905	8.5 m		1
	22+939.5		13 m	1
	22+992.5		12.5 m	1
	23+022	8.5 m		1
	23+052		13 m	1
	23+130		13 m	1
	23+165	8.5 m		1
	23+190		13 m	1
TOTAL				14

RECAPITULATION OF STREET LIGHT QUANTITIES		
ITEM	UNIT	QUANTITY
Electric Lighting System	L.S.	Lump Sum

Notes:
All bases, conduit, and pull wire shall be installed by the Contractor, as per City specifications. Street light steel poles shall be furnished and installed by utility company with their forces and funds.

Conduit shall include sweeps/elbows into pole bases.

NOTES:

- STEEL STANDARDS SHALL BE PLUMB ON TWO VERTICAL PLANES 90° APART.
 - ALL EXCAVATED DIRT AND CONCRETE TO BE HAULED AWAY.
 - IN CASE THE FOUNDATION WILL BE INSTALLED IN AN AREA WHERE A FUTURE SIDEWALK OR CURB HAS NOT BEEN INSTALLED. THE FOUNDATION WILL BE INSTALLED AS SHOWN IN FIG 2.
 - AUGER FOUNDATION APPROVED FOR STEEL POLES, M.C. NO.'S 7705604, 7705605, 7705608, AND 7705609.
- △ 250 mm TO 380 mm BOLT CIRCLES.
- △ THIS DIMENSION TO BE SPECIFIED BY THE CITY, COUNTY OR STATE OFFICIALS.
- REQUIRES UNIVERSAL DRIVING TOOL AND CORRECT KELLY BAR ADAPTOR.
 - FOUNDATION SHOULD BE INSTALLED IN UNDISTURBED SOIL. WHERE THE SOIL IS DISTURBED, IT SHALL BE BACKFILLED IN 150 mm LAYERS AND AIR TAMPED.

50 mm CONDUIT FOR STREET LIGHTS w/pull wire

STA. TO STA.	ROADWAY	SIDE	TYPE	m
22+674 to 22+794.7	Broadway	Lt.	PVC	120.7
22+704 to 22+796.5	Broadway	Rt.	PVC	92.5
22+794.7 to 22+815.25	Broadway & Lewis		PVC	93.5
22+813.3 to 22+936	Broadway	Rt.	PVC	122.7
22+815.25 to 22+936	Broadway	Lt.	PVC	120.8
22+936 to 22+959	Broadway & Waterman		PVC	101.0
22+992.5	Broadway	Rt.	PVC	5.6
23+022	Broadway	Lt.	PVC	16.0
23+052	Broadway	Rt.	PVC	2.6
23+081 to 23+103	Broadway & English		PVC	93.5
23+130	Broadway	Rt.	PVC	3.8
23+165	Broadway	Lt.	PVC	1.6
23+190	Broadway	Rt.	PVC	4.6
TOTAL				778.9

CITY OF WICHITA	
STREET LIGHTING DETAILS & SUMMARY OF QUANTITIES	
ASSOCIATES INC. OF KANSAS Wichita, Kansas	
SCALE Noted	DATE
	DWG. NO. K9542

Plot-Time:

Last Plot-Date:

APP.

CKD.

TR.

DR.

DES.

PLOT CADP