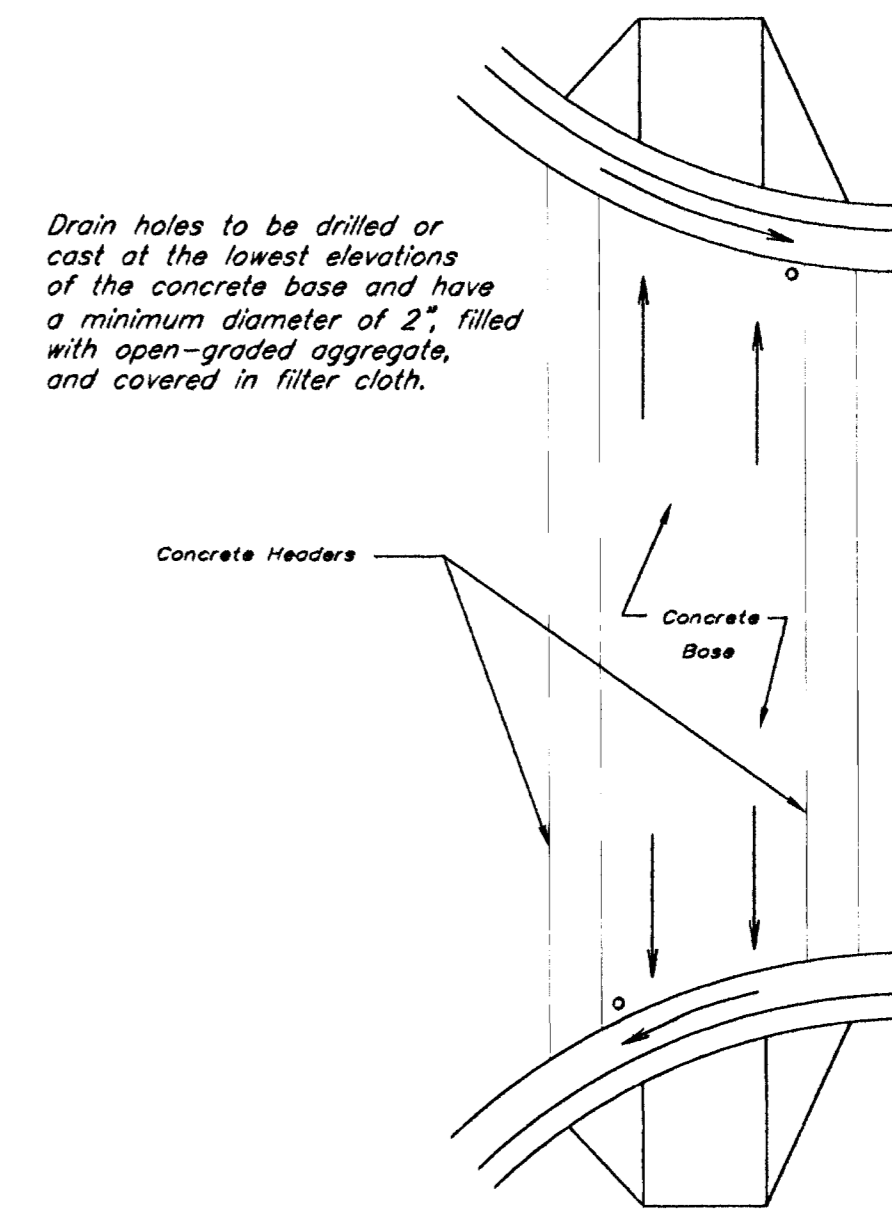
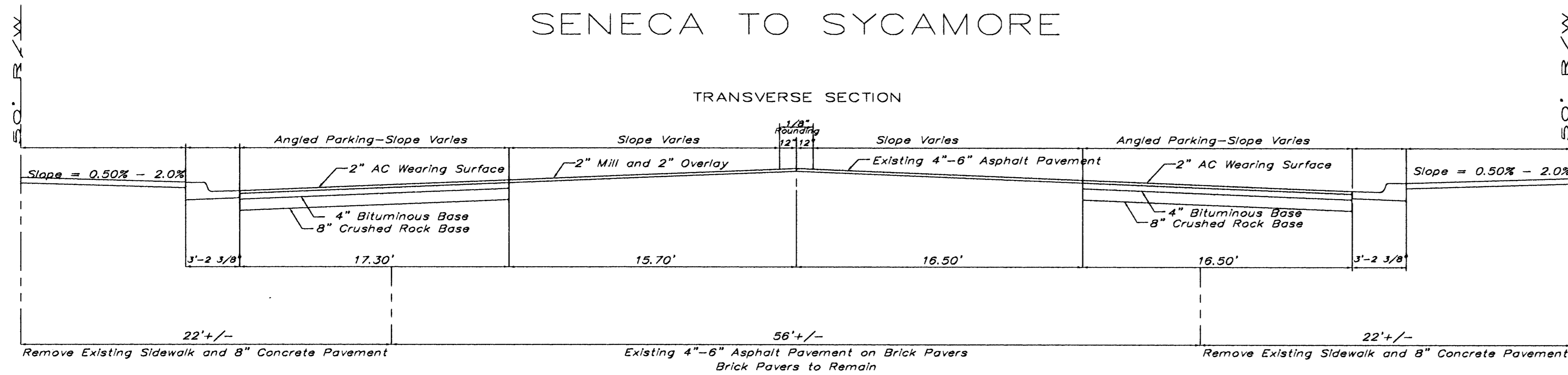


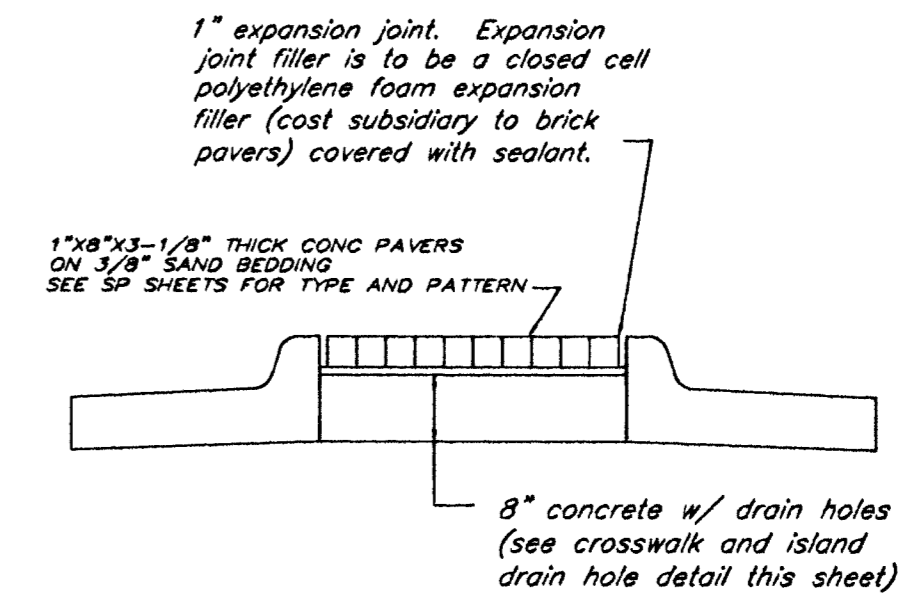
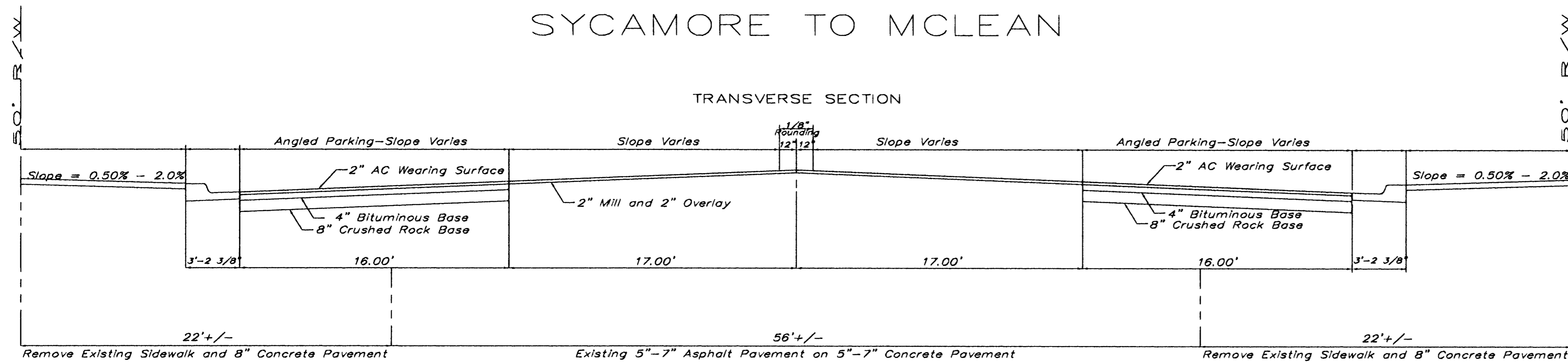
# TYPICAL B-B PAVEMENT DETAILS

## SENECA TO SYCAMORE

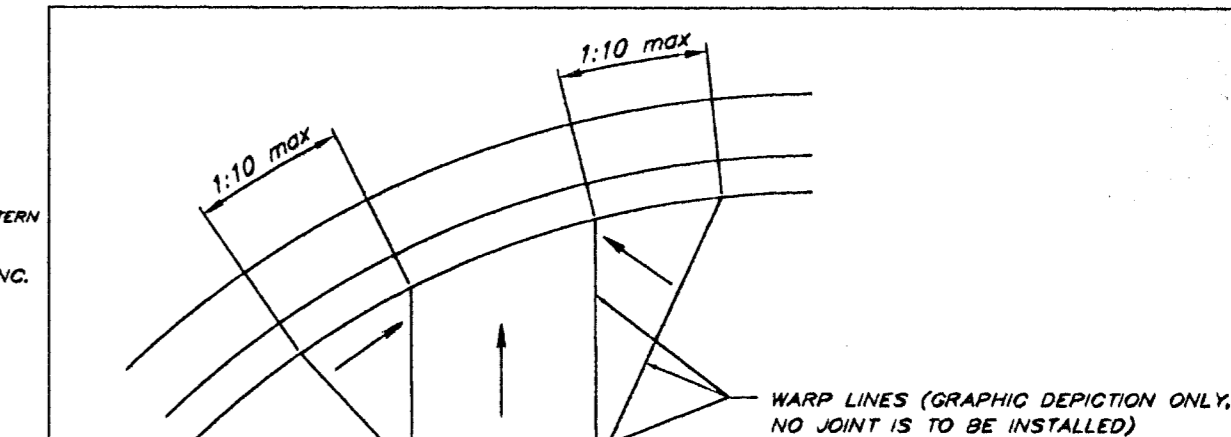
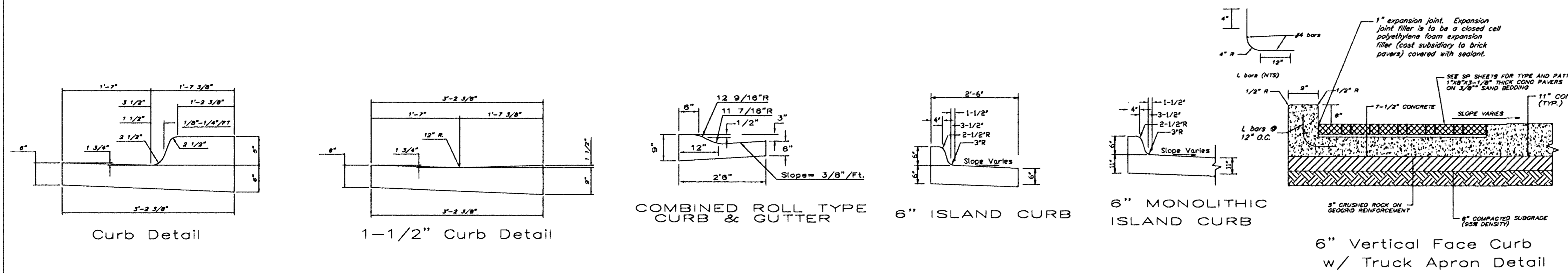


Crosswalk & Island  
Drain Hole Detail

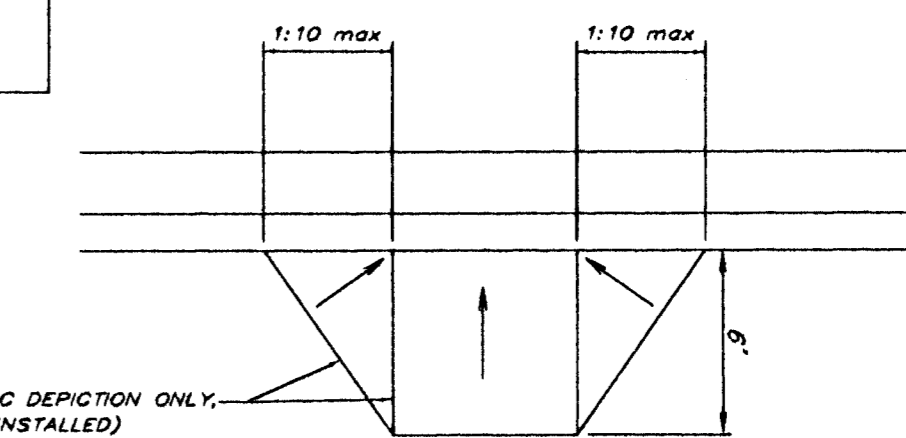
# SYCAMORE TO MCLEAN



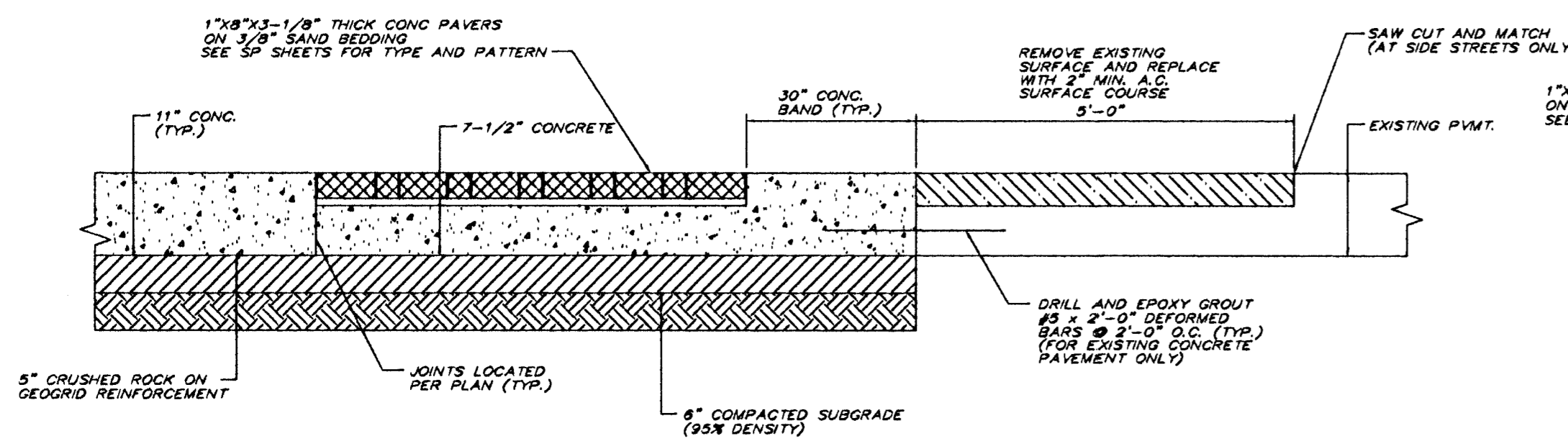
Island Paver Detail



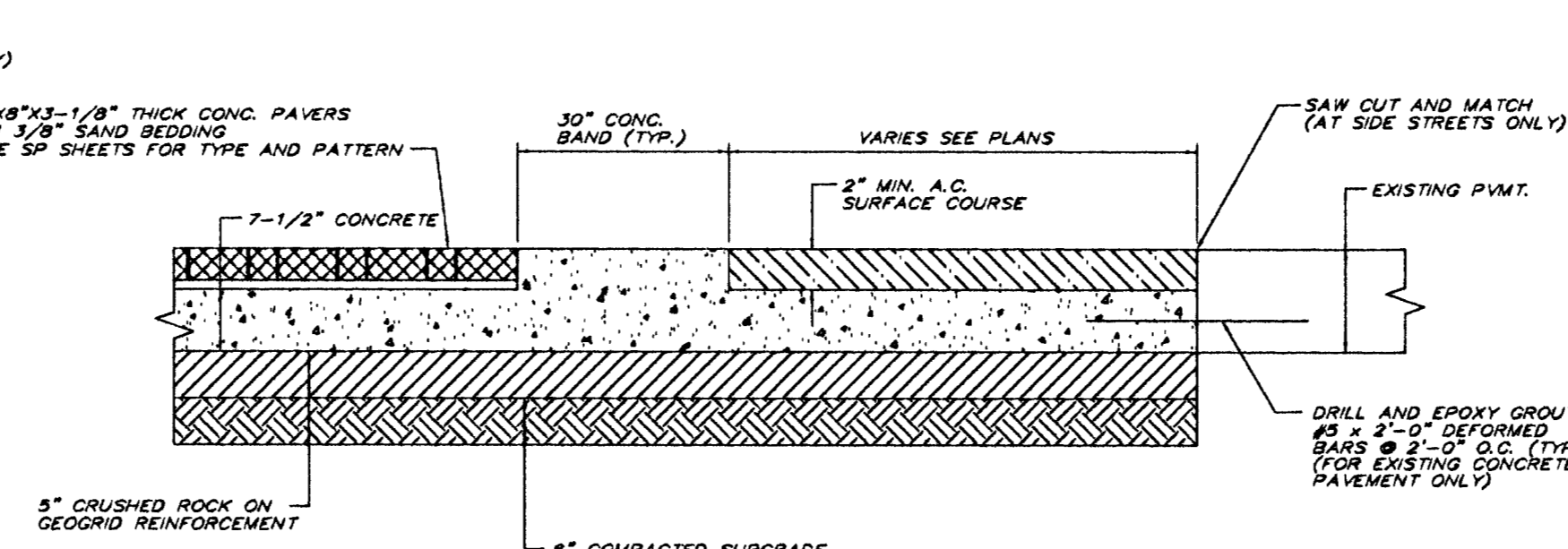
Straight Ramp @ Radius



Straight Ramp



INTERSECTION DETAIL "A"



INTERSECTION DETAIL "B"



ARCHITECTS • PLANNERS • LANDSCAPE ARCHITECTS  
125 S. WASHINGTON WICHITA, KANSAS 67202  
P.O. BOX 244 WICHITA, KANSAS 67201  
TEL. 360.2048 • FAX 360.2546

WEST DOUGLAS STREETSCAPE  
ARKANSAS RIVER TO SENECA  
WICHITA, KANSAS

PROJECT NO. 472 63608 OCA: 706846  
MVP PROJECT NO. 101008  
DATE: August 7, 2002  
REVISED: August 30, 2002

SHEET  
CV 1.7

Typical Section