

NOTE: Contractor shall have the option of constructing 8" brick masonry walls between the concrete inlet base and top on this inlet when W=8'-4" and W=7'-0" or less.

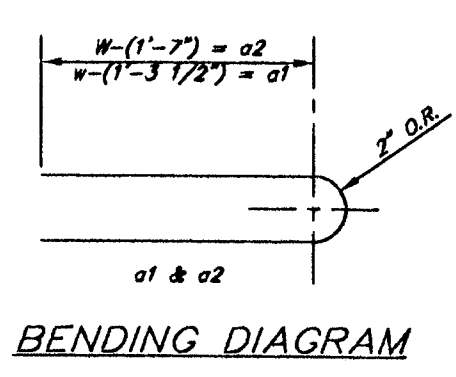
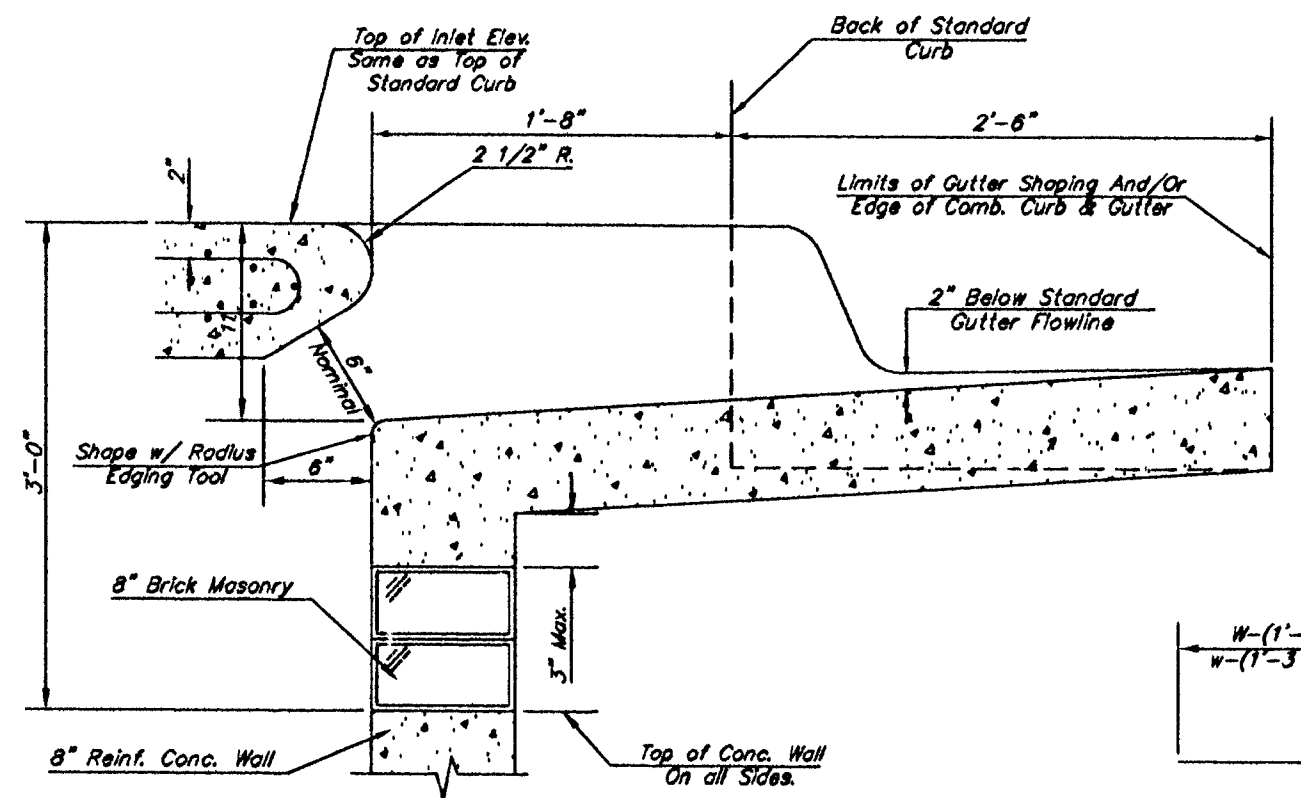
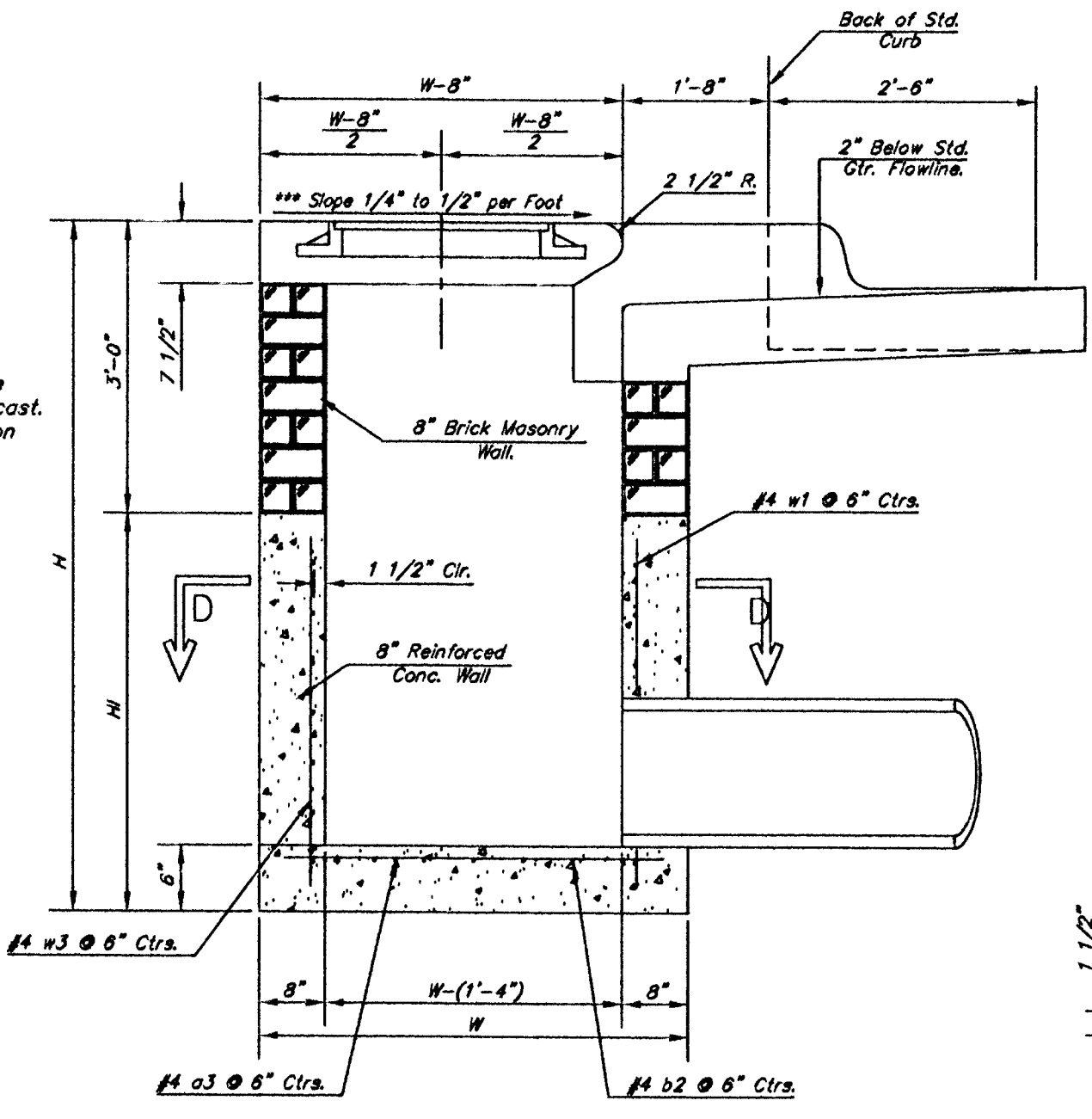
Additional curb and gutter construction necessary to connect set-back inlet to pavement will be paid for at the unit price bid for each inlet hookup.

Inlet invert shall be shaped with 8 sack sand mix concrete to create flow channels and to increase hydraulic efficiency such that the inlet will be self-cleaning between all inlet and/or outlet pipes.

The ends of all pipes installed in inlets shall be cut off flush with the inside face of the inlet wall.

NOTE: Inlet Top Reinforcing shall be Spaced on 8" Max. Centers. Inlet Lids Shall be Notched Out as Indicated to Facilitate Construction of Curb.

NOTE: Concrete Tops to be installed on thin mortar cushion to insure full support along brick walls. Concrete tops may be cast in place or precast. Concrete used for inlet construction shall be concrete pavement mix with air entrainment.



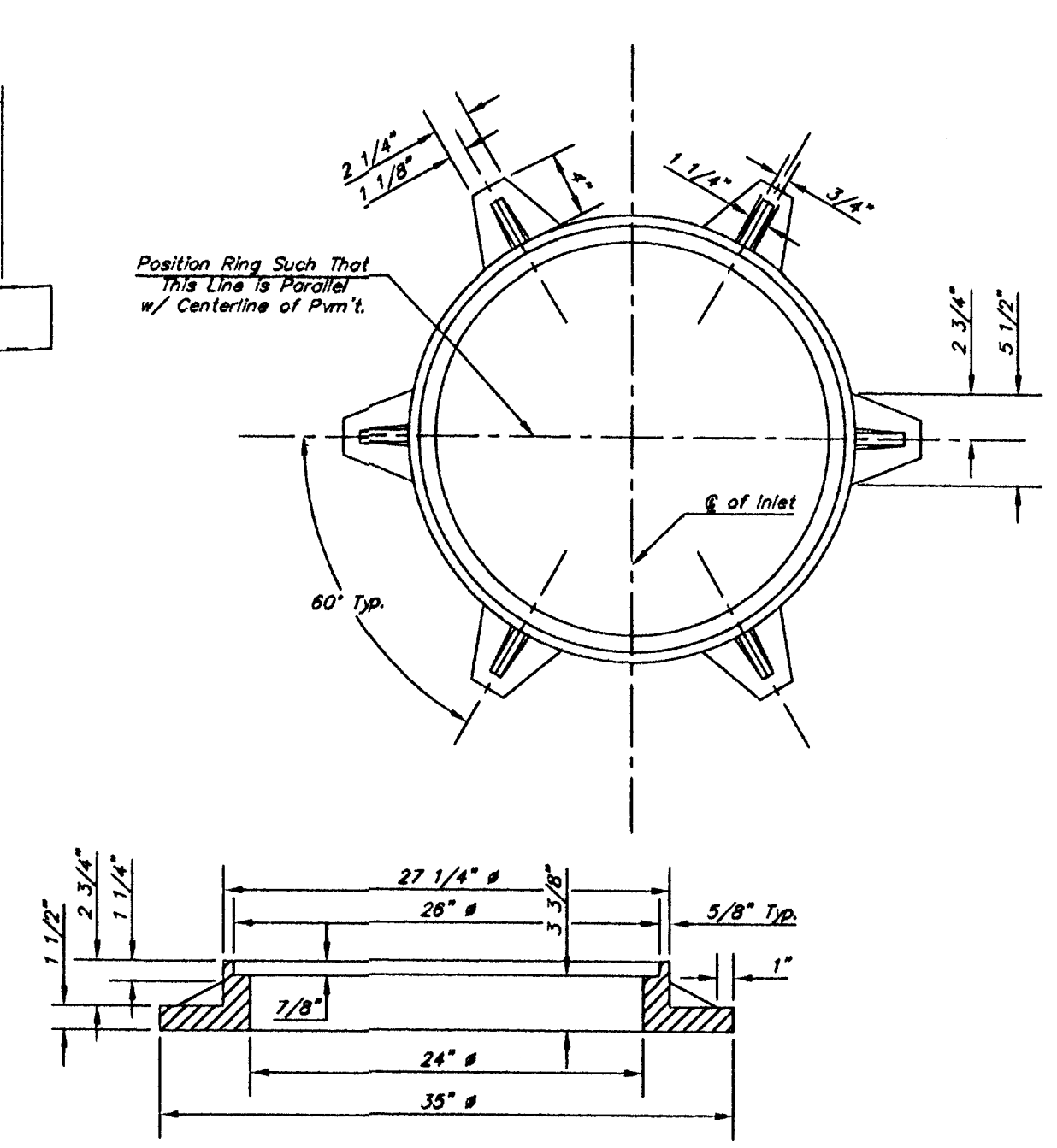
PRECAST SLAB AND FLOOR REINFORCING

MARK	SIZE	W = 4'-4"		W = 5'-4"		W = 6'-4"		W = 7'-4"		W = 8'-4"	
		NO.	LENGTH	NO.	LENGTH	NO.	LENGTH	NO.	LENGTH	NO.	LENGTH
a1	#4	8	8'-7"	8	8'-7"	8	10'-7"	8	12'-7"	8	14'-7"
a2	#4	4	8'-0"	4	8'-0"	4	10'-0"	4	12'-0"	4	14'-0"
b1	#4	13	4'-1"	13	5'-1"	13	6'-1"	13	7'-1"	13	8'-1"
b2	#4	7	4'-9"	7	4'-9"	7	4'-9"	7	4'-9"	7	4'-9"
x1	#4	23	8'-1"	29	8'-1"	35	8'-1"	41	8'-1"	47	8'-1"
x2	#4	8	3'-10"	8	4'-2"	8	4'-8"	8	4'-10"	8	5'-2"

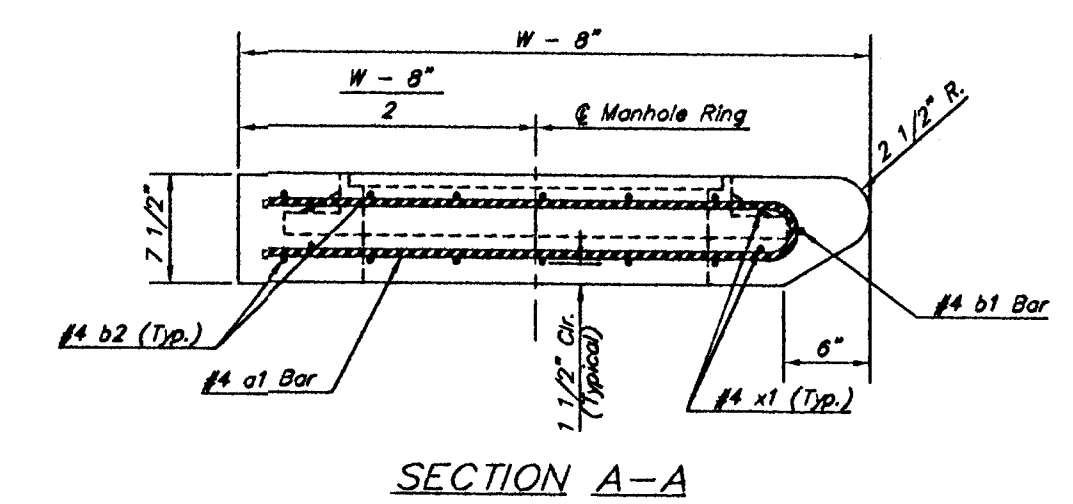
WALL REINFORCING

MARK	SIZE	W = 4'-4"		W = 5'-4"		W = 6'-4"		W = 7'-4"		W = 8'-4"	
		NO.	LENGTH	NO.	LENGTH	NO.	LENGTH	NO.	LENGTH	NO.	LENGTH
w1	#4	①	8'-1"	①	8'-1"	①	8'-1"	①	8'-1"	①	8'-1"
w2	#4	①	4'-1"	①	5'-1"	①	6'-1"	①	7'-1"	①	8'-1"
w3	#4	32	②	38	②	40	②	44	②	48	②

* Field Bend or Cut Reinforcing as Required for Clearance.
 ① 4 (H = 12") (H = 21") Rounded down to nearest 0.5"
 ② H = 3"

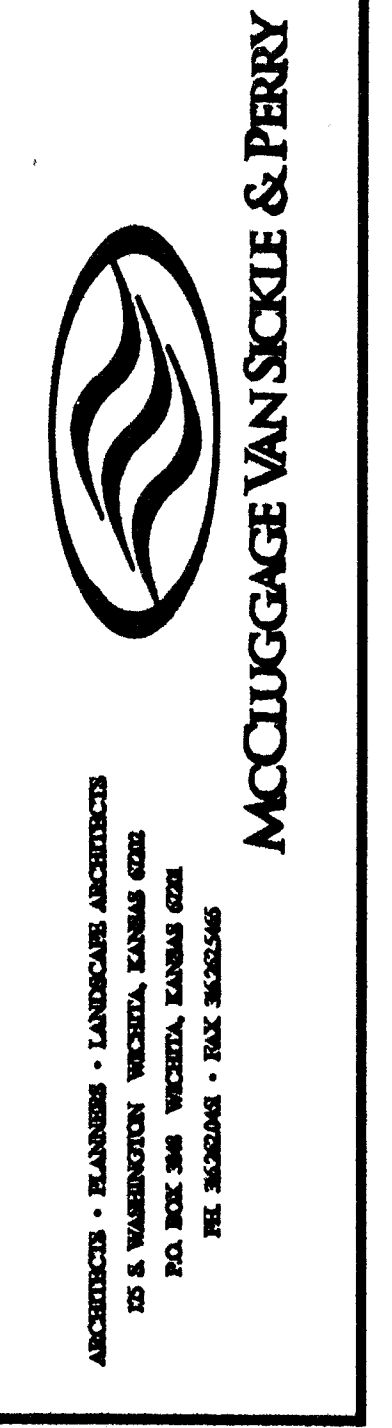


MANHOLE RING AND COVER



STANDARD CURB INLET PRECAST TOPS

W	PRE-CAST TOP SIZE	PIPE SIZE	CU. YD. CONC.
4'-4"	3'-8" x 8'-4" x 7 1/2"	21" & SMALLER	0.38±
5'-4"	4'-8" x 8'-4" x 7 1/2"	24" & 30"	0.51±
6'-4"	5'-8" x 8'-4" x 7 1/2"	36" & 42"	0.64±
7'-4"	6'-8" x 8'-4" x 7 1/2"	48" & 54"	0.77±
8'-4"	7'-8" x 8'-4" x 7 1/2"	60" & 66"	0.90±



WEST DOUGLAS STREETSCAPE
 ARKANSAS RIVER TO SENECA
 WICHITA, KANSAS

PROJECT NO. 472 83608 OCA: 706846
 MAP PROJECT NO. 101008
 DATE: August 7, 2002
 REVISED

SHEET
 CV 3.3

Type 1-A Inlet Single