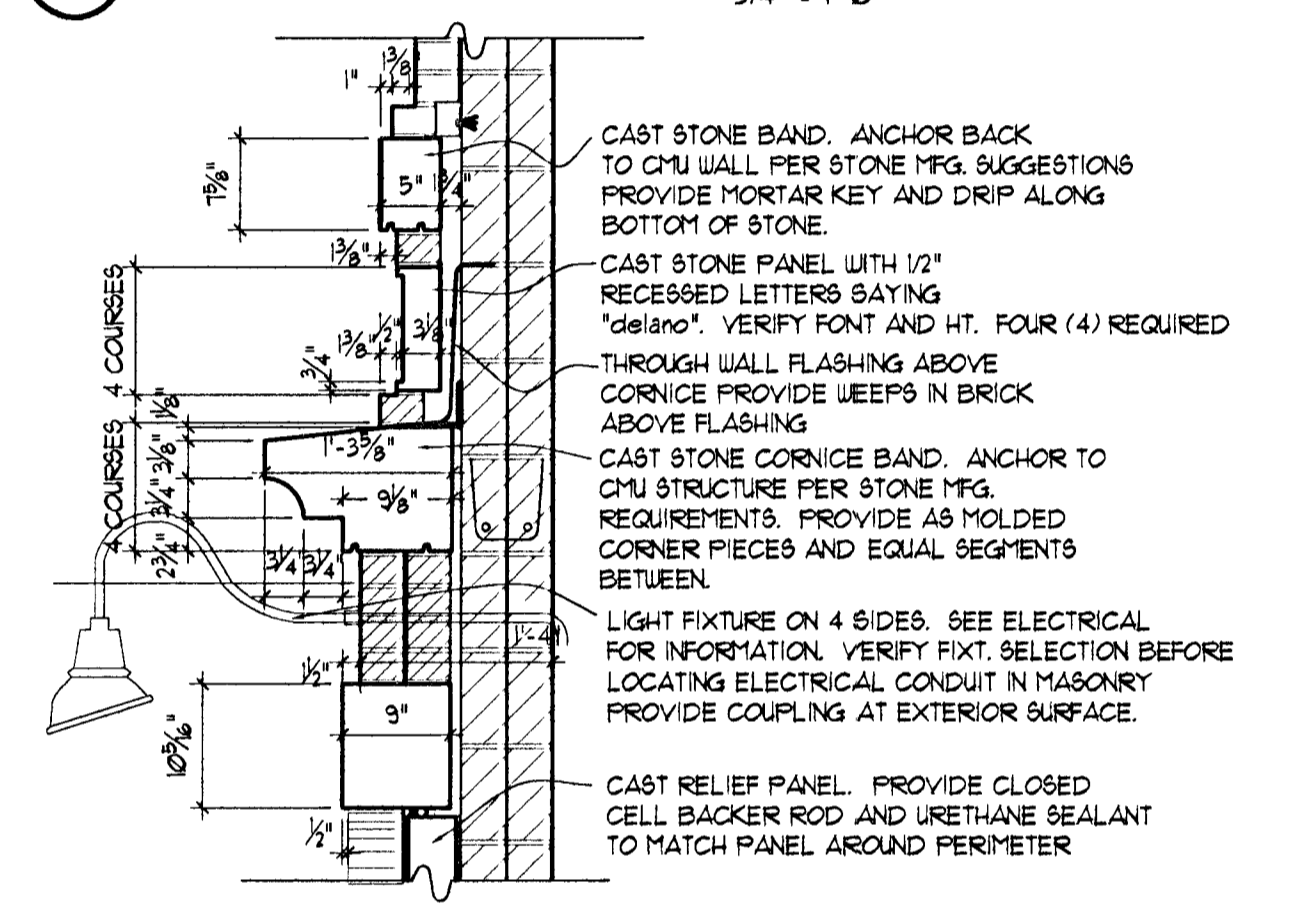
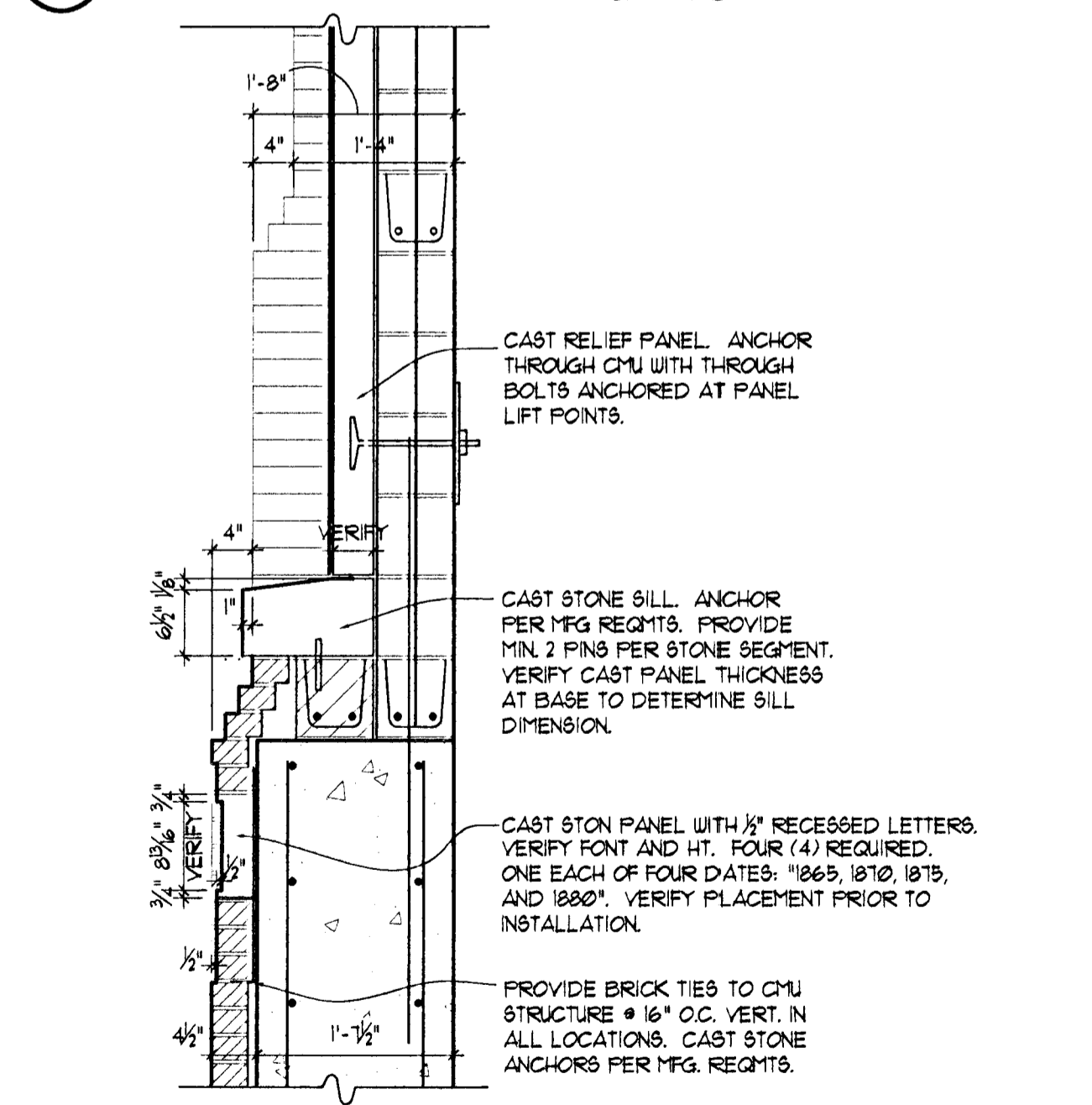


6 WALL SECTION DETAIL
3/4" = 1'-0"

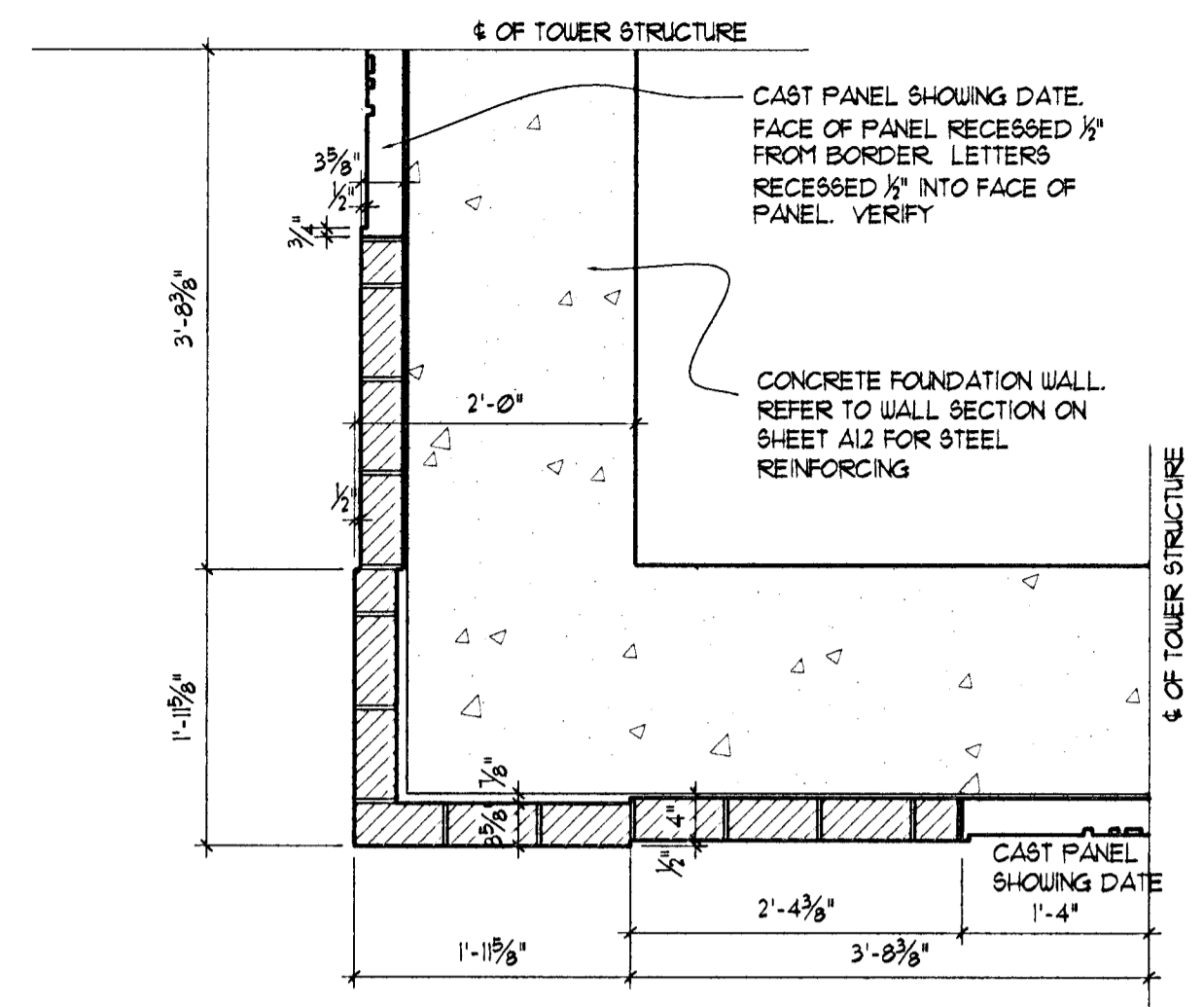


7 WALL SECTION DETAIL
3/4" = 1'-0"

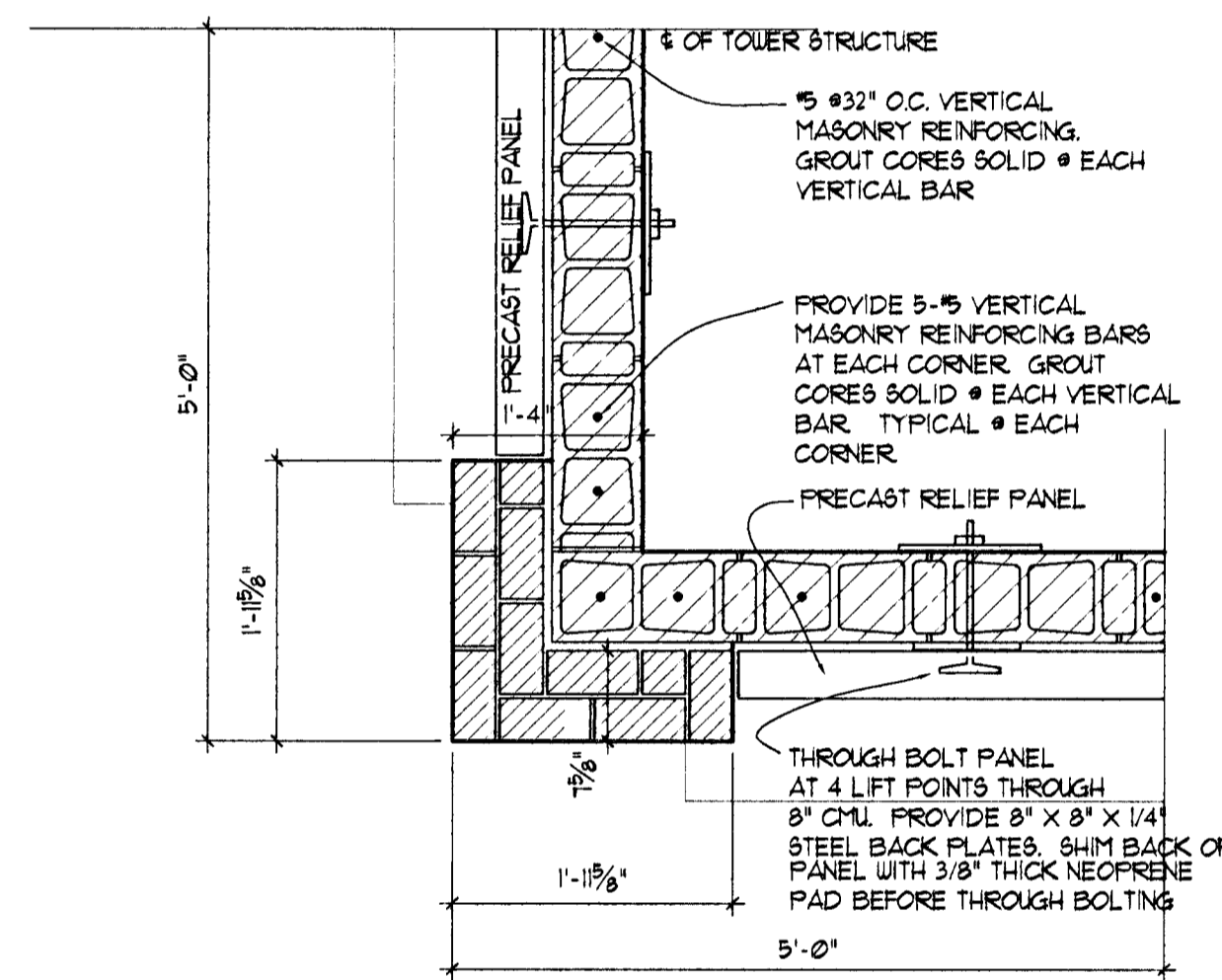


8 WALL SECTION DETAIL
3/4" = 1'-0"

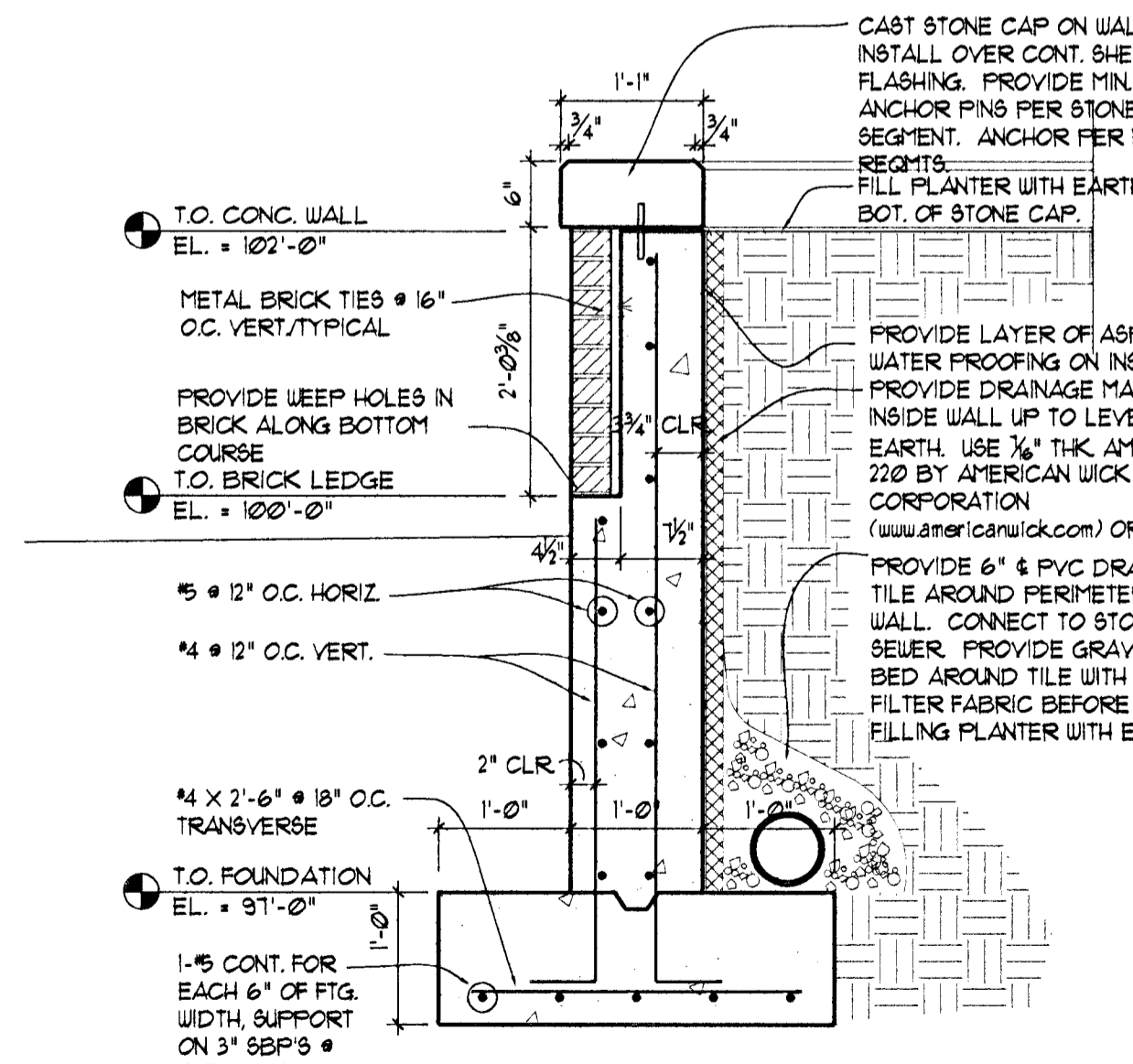
NOTE:
THROUGH WALL AND UNDER CAP FLASHINGS SHALL BE COPPER BONDED TO POLYESTER AND ASPHALT FILMS EQUAL TO COPPER AQUA FLASH 50 MIL THK. (AS MFG. BY FIBERWEB, 800-621-4140)



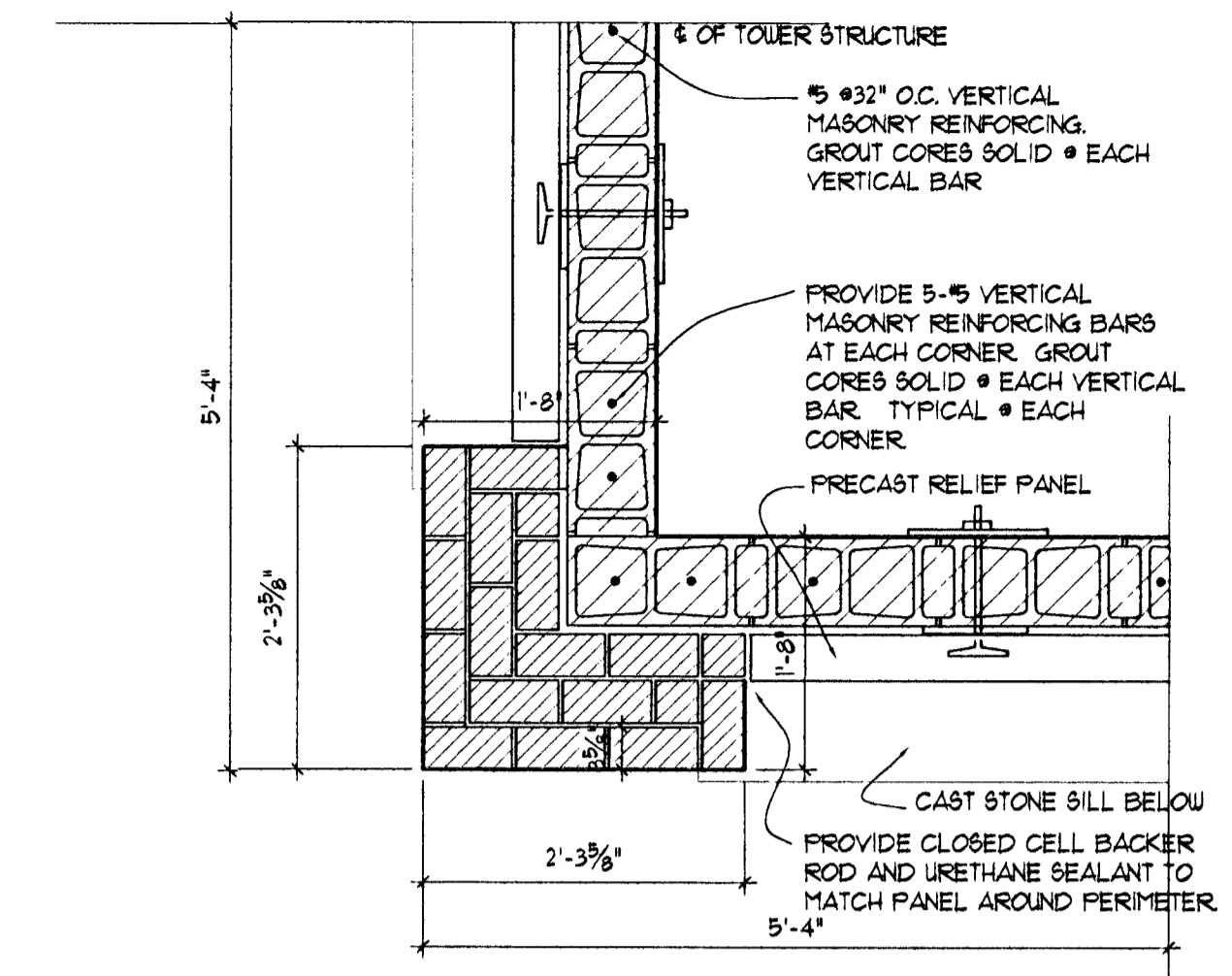
1 WALL SECTION DETAIL
3/4" = 1'-0"



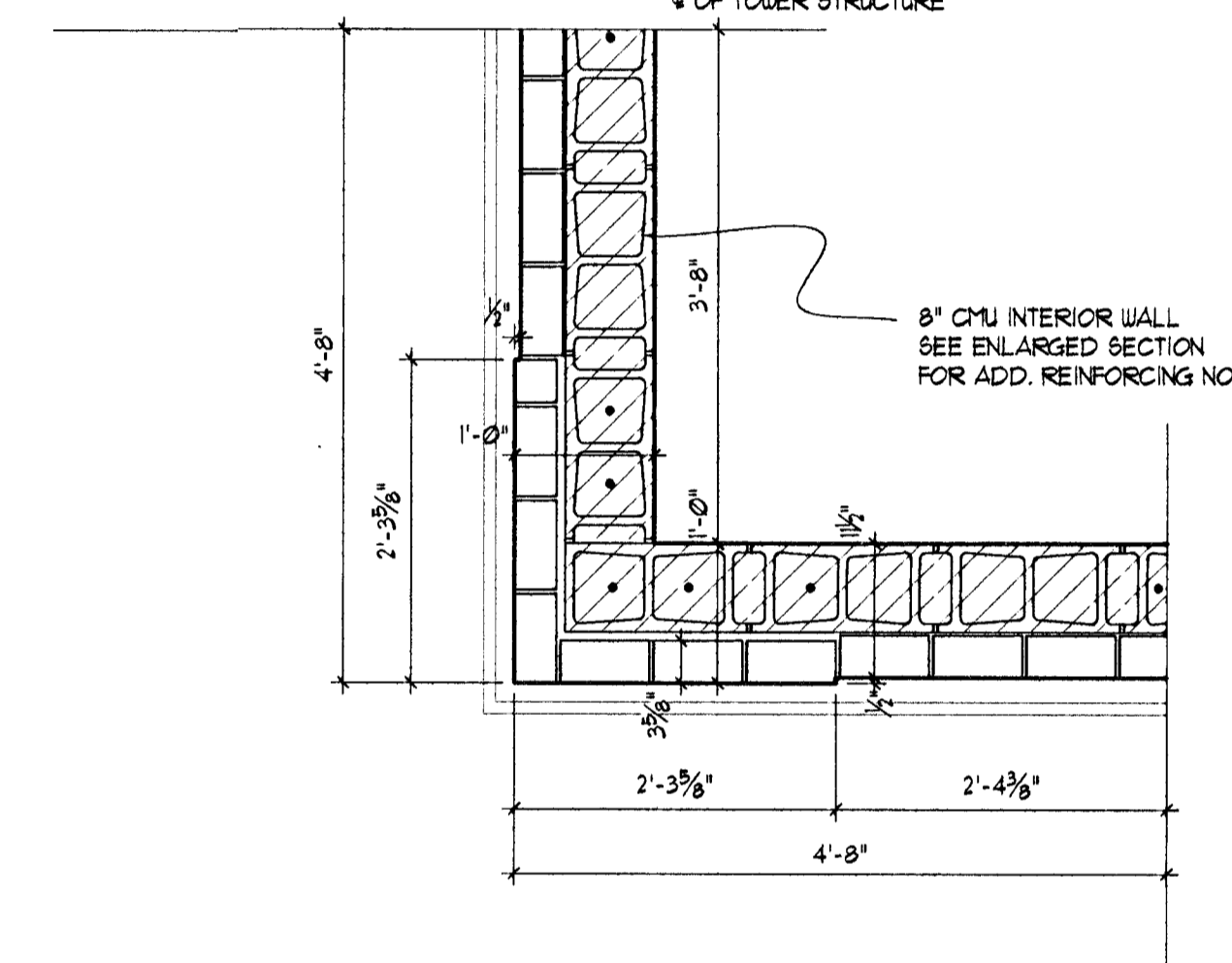
3 WALL SECTION DETAIL
3/4" = 1'-0"



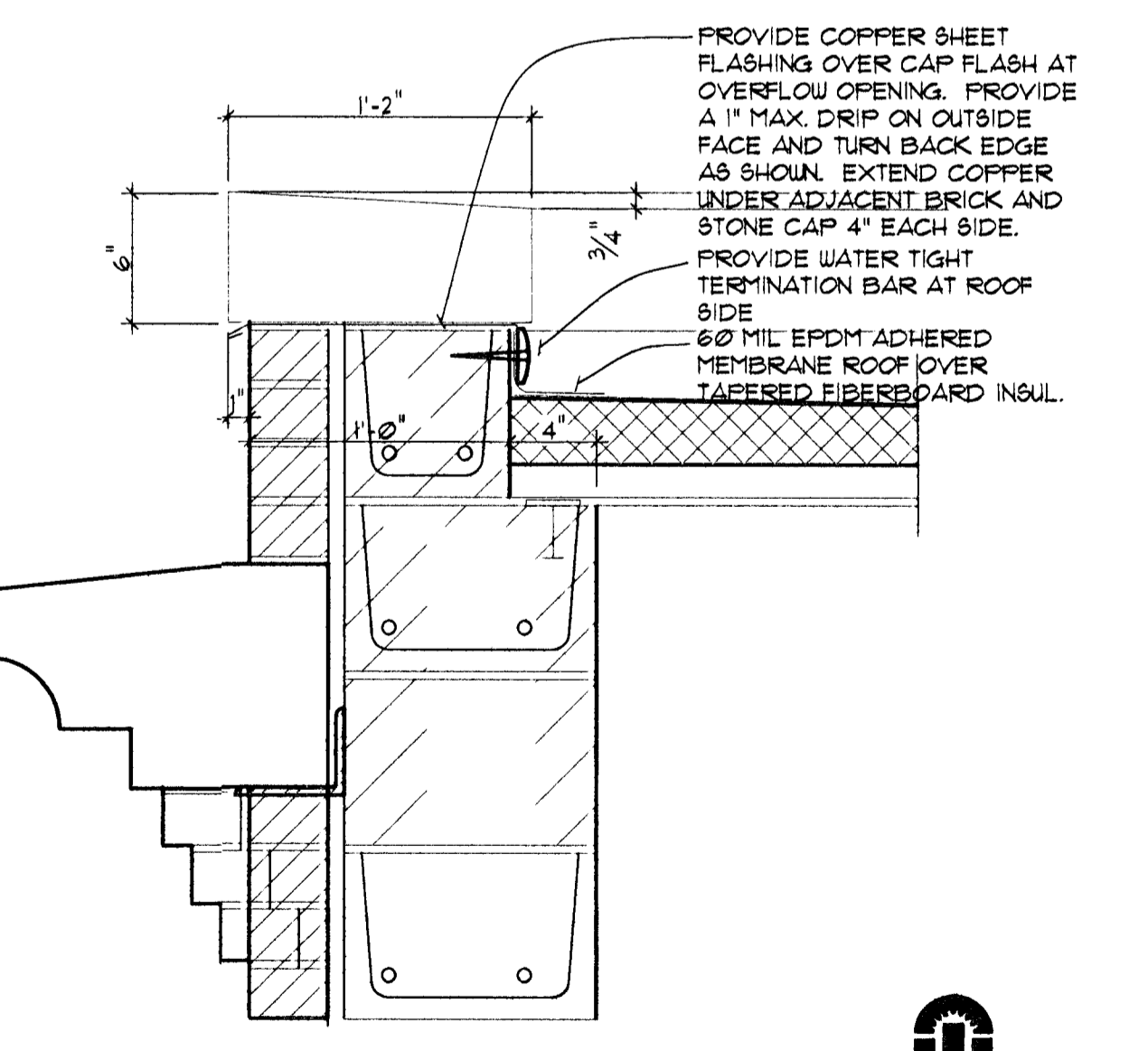
5 PLANTER WALL SECTION
3/4" = 1'-0"



2 WALL SECTION DETAIL
3/4" = 1'-0"



4 WALL SECTION DETAIL
3/4" = 1'-0"



9 OVERFLOW OPENING DET.
1/2" = 1'-0"



WEST DOUGLAS STREETSCAPE
ARKANSAS RIVER TO SENECA
WICHITA, KANSAS

PROJECT NO. 412 83608
MVP PROJECT NO. 10/008
DATE: AUGUST 1, 2002
REVISED

SHEET
A1.3

ARCHITECTS • PLANNERS • LANDSCAPE ARCHITECTS
25 & WASHINGTON WICHITA, KANSAS 67202
P.O. BOX 346 WICHITA, KANSAS 67201
TEL. 360.2048 • FAX 360.2546
MCCLUGGAGE VAN SICKLE & PERRY