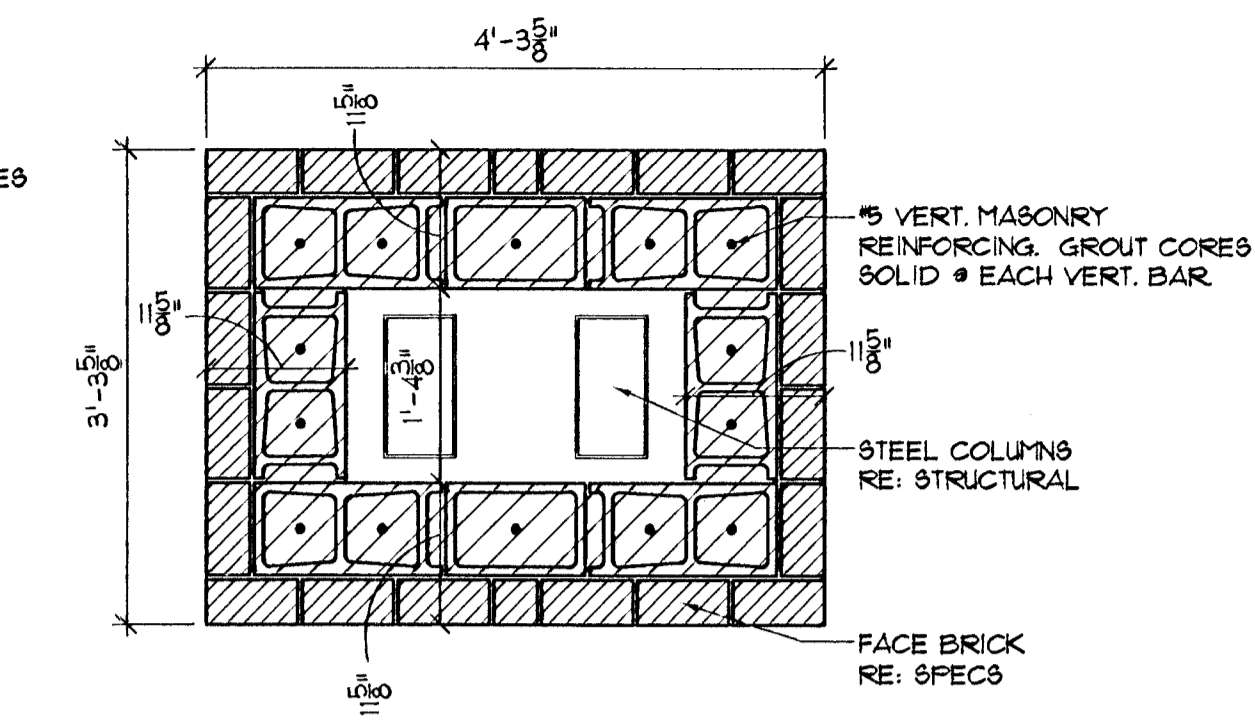


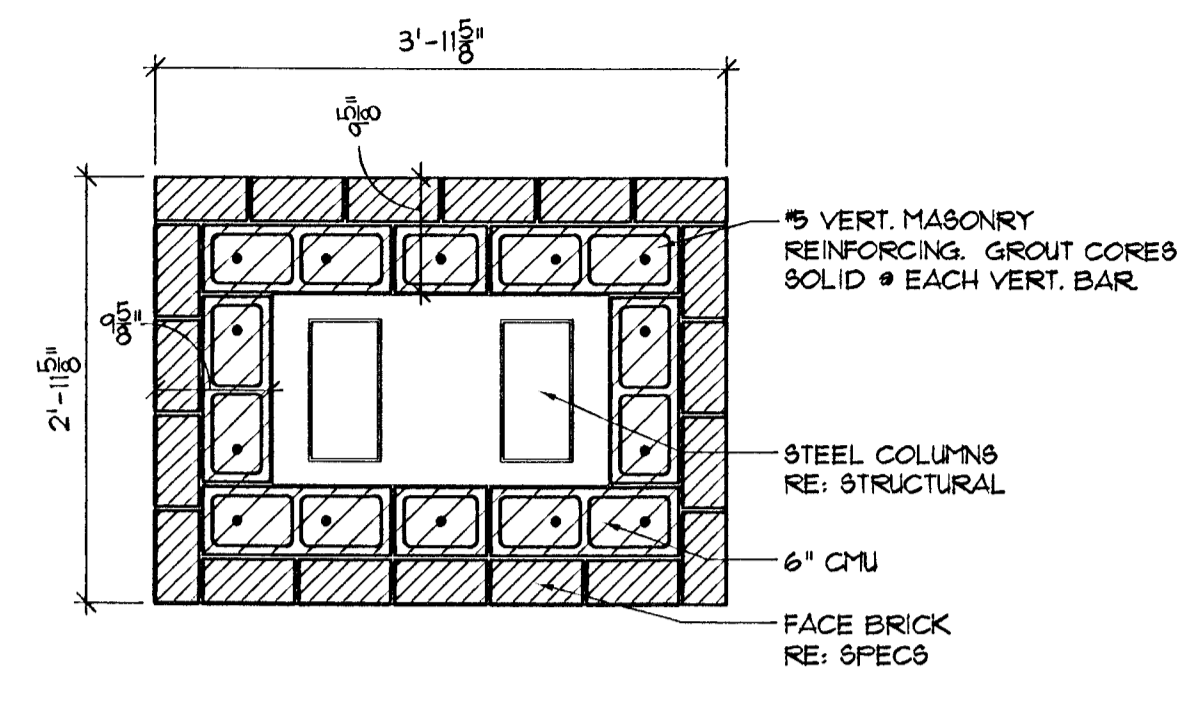
1 ARCH SECTION DETAIL

SCALE: 3/4" = 1'-0"



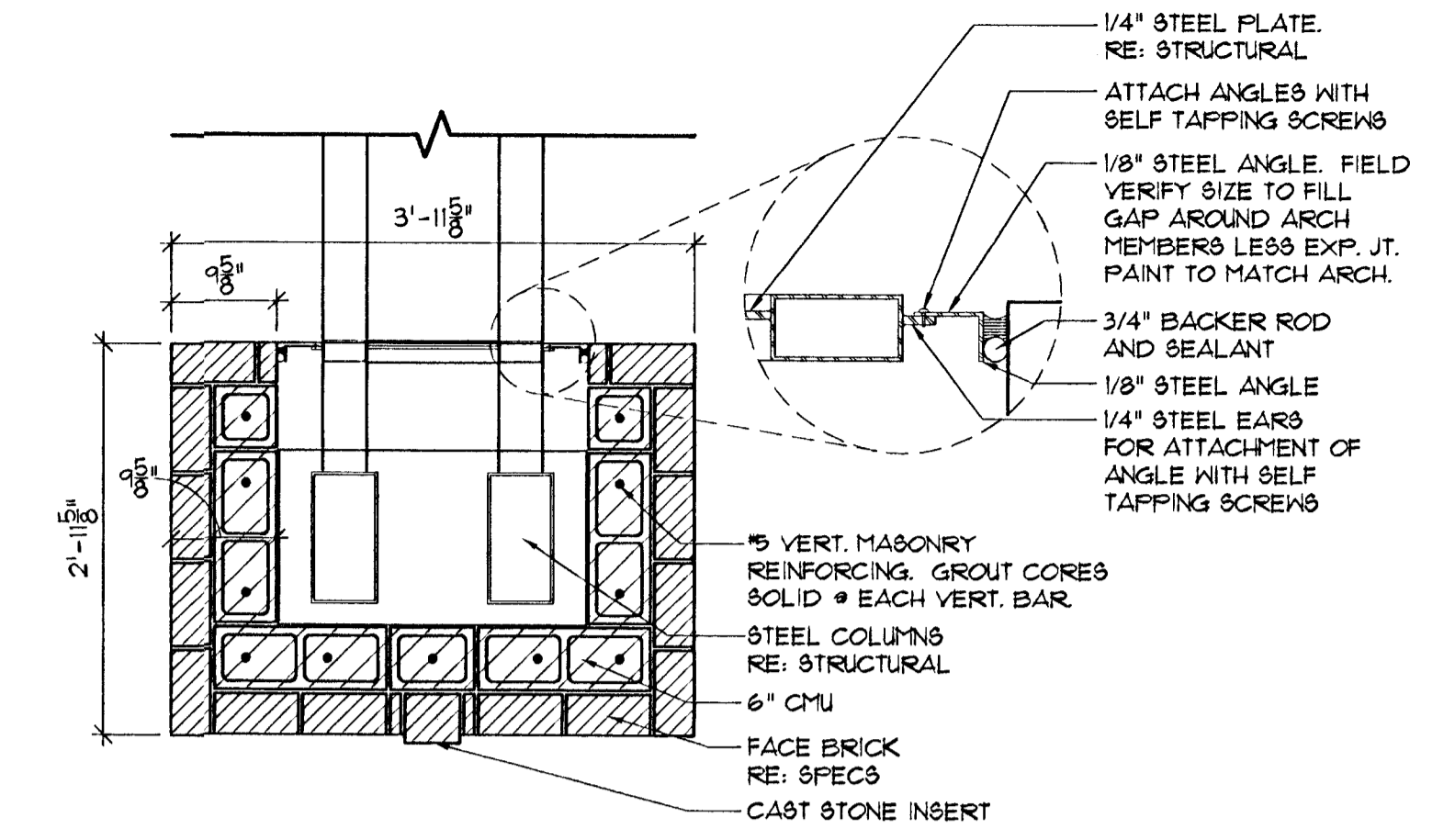
2 ARCH SECTION DETAIL

SCALE: 3/4" = 1'-0"



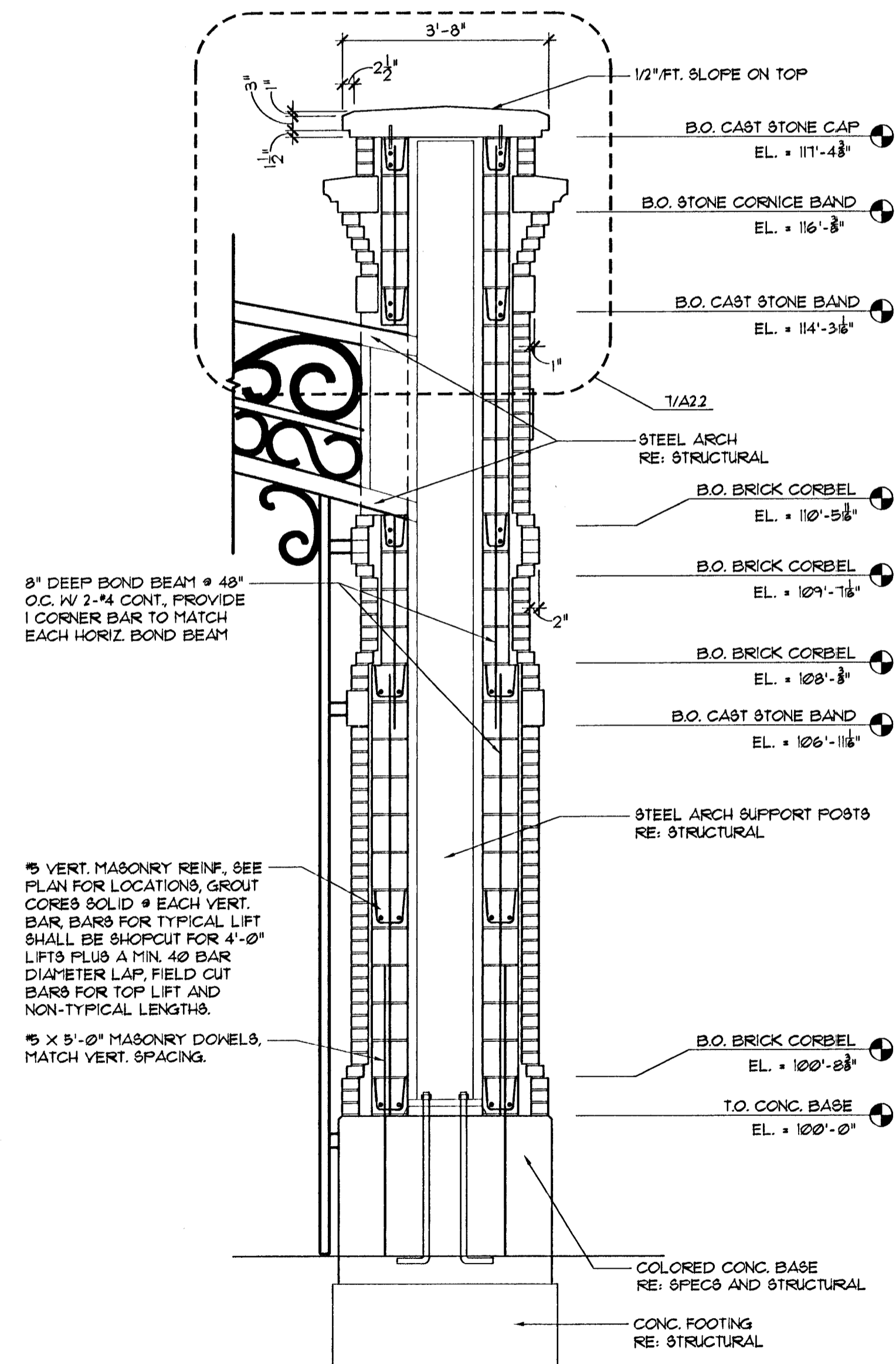
3 ARCH SECTION DETAIL

SCALE: 3/4" = 1'-0"



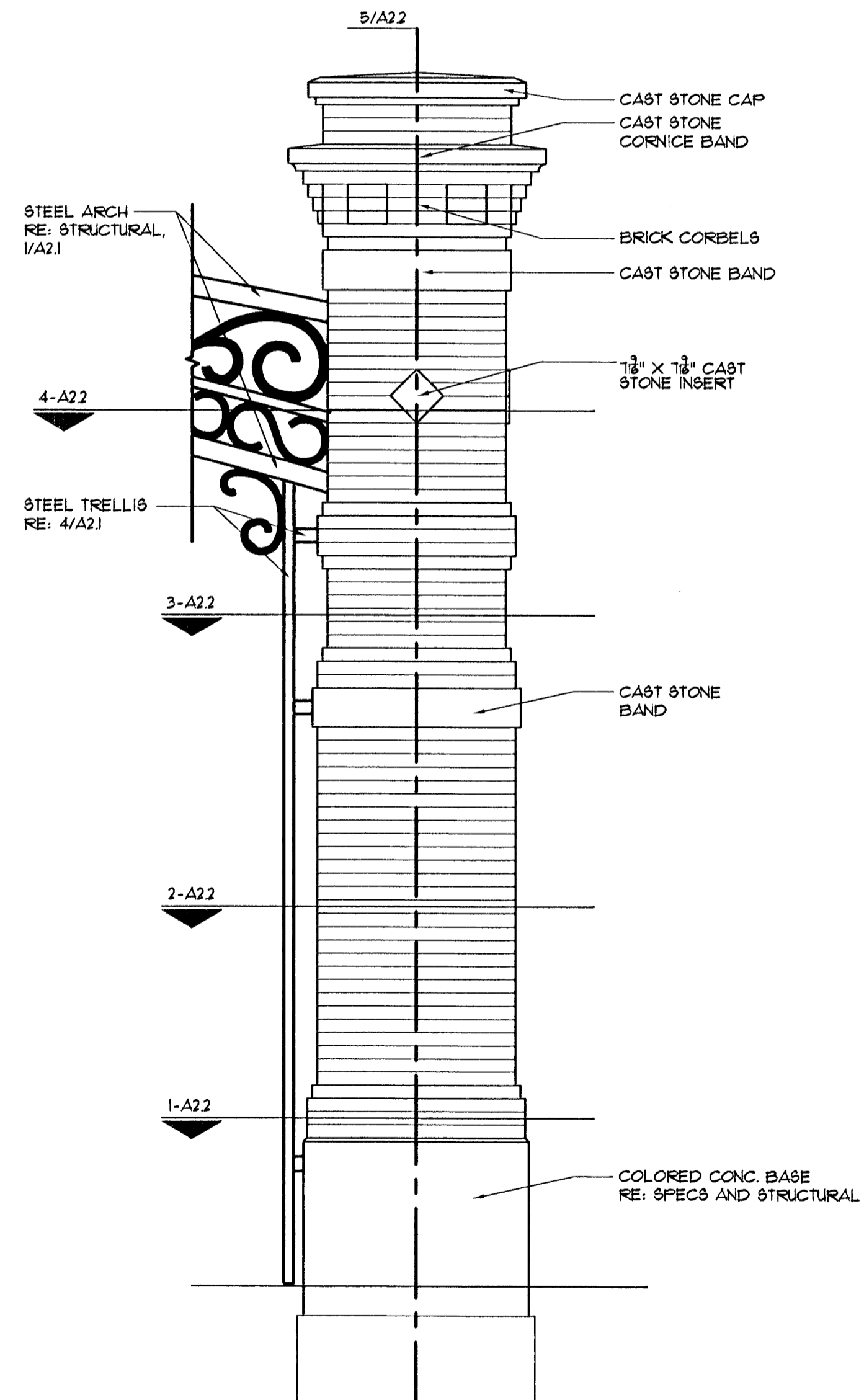
4 ARCH SECTION DETAIL

SCALE: 3/4" = 1'-0"



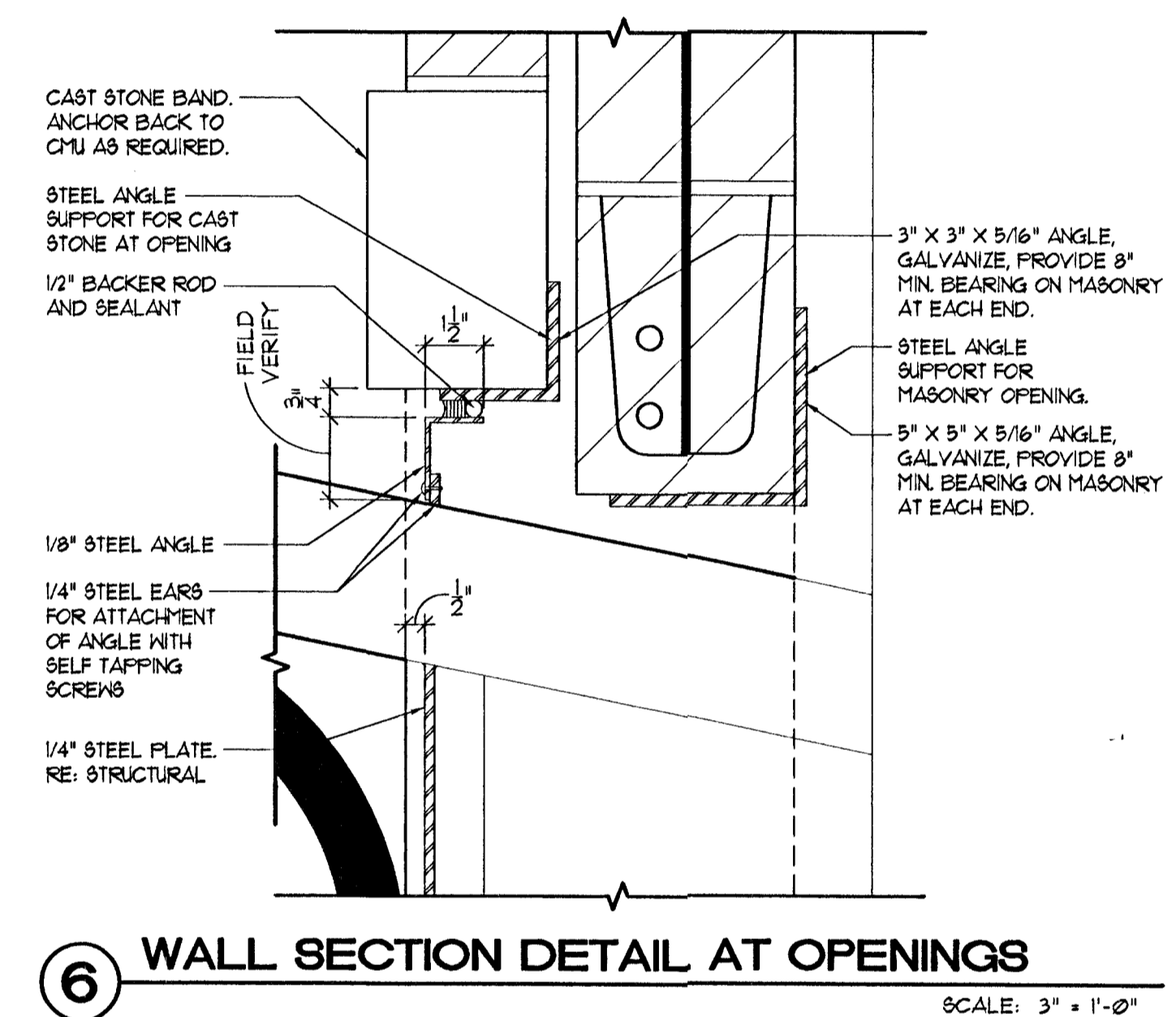
5 ENLARGED ARCH TOWER

SCALE: 1/2" = 1'-0"



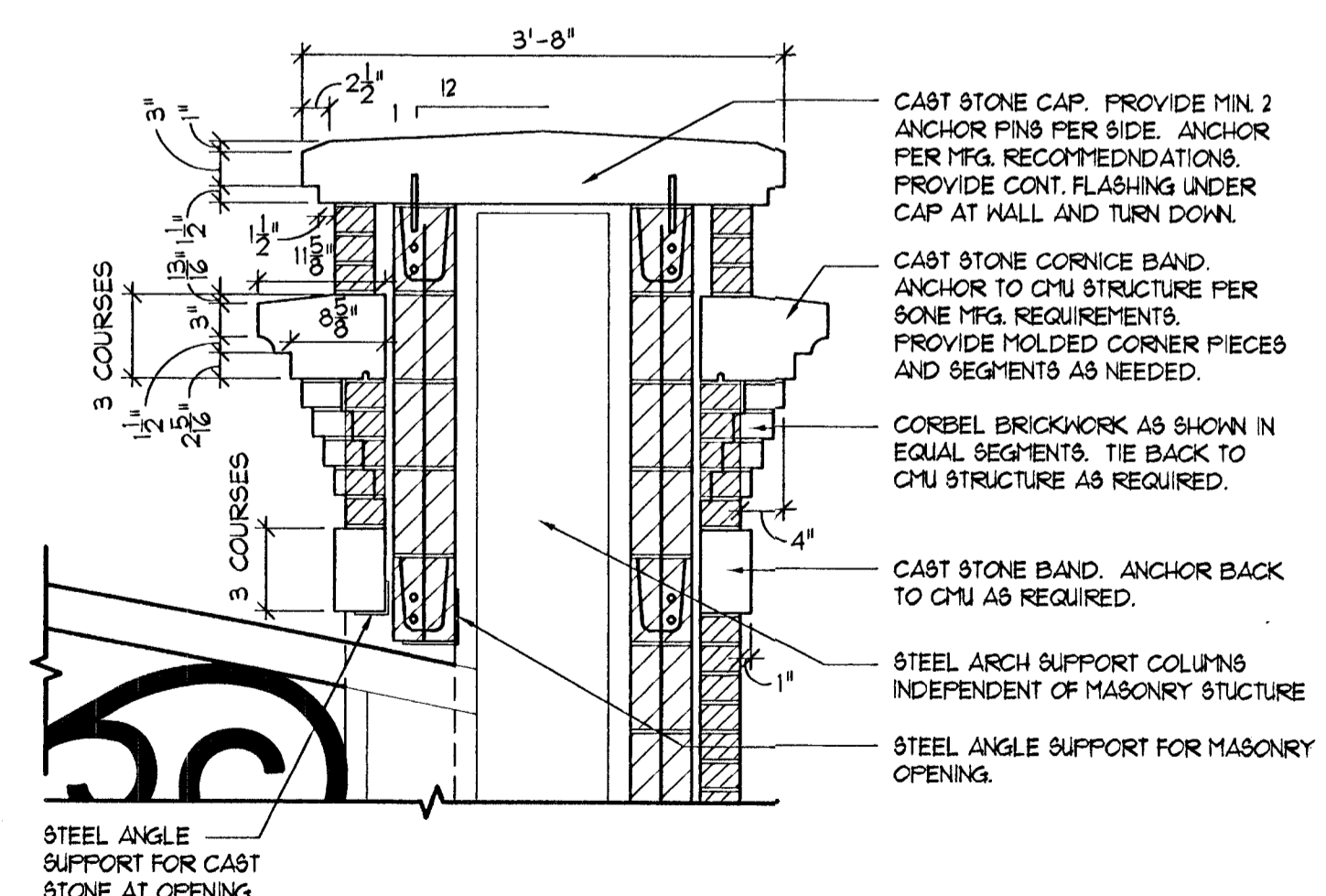
6 ENLARGED ARCH TOWER

SCALE: 1/2" = 1'-0"



6 WALL SECTION DETAIL AT OPENINGS

SCALE: 3" = 1'-0"



7 WALL SECTION DETAIL

SCALE: 3/4" = 1'-0"

NOTE:  
REFER TO 8P11 AND 8P15 FOR CORRESPONDING SITE ELEVATIONS  
ARCH. ELEVATION 100'-0" = SITE ELEVATION AS NOTED



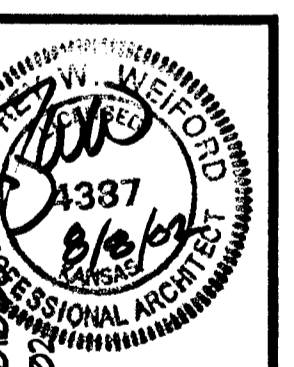
ARCH DETAILS

SHEET

A2.2

WEST DOUGLAS STREETSCAPE  
ARKANSAS RIVER TO SENECA  
WICHITA, KANSAS

PROJECT NO. 472 836-06  
MVP PROJECT NO. 1070  
DATE: AUGUST 1, 2007  
REVISIONS



ARCHITECTS • PLANNERS • LANDSCAPE ARCHITECTS  
125 S. WASHINGTON WICHITA, KANSAS 67202  
P.O. BOX 386 WICHITA, KANSAS 67201  
TEL. 360.2048 • FAX 360.2046



MCCLUGGAGE VAN SICKLE & PERRY