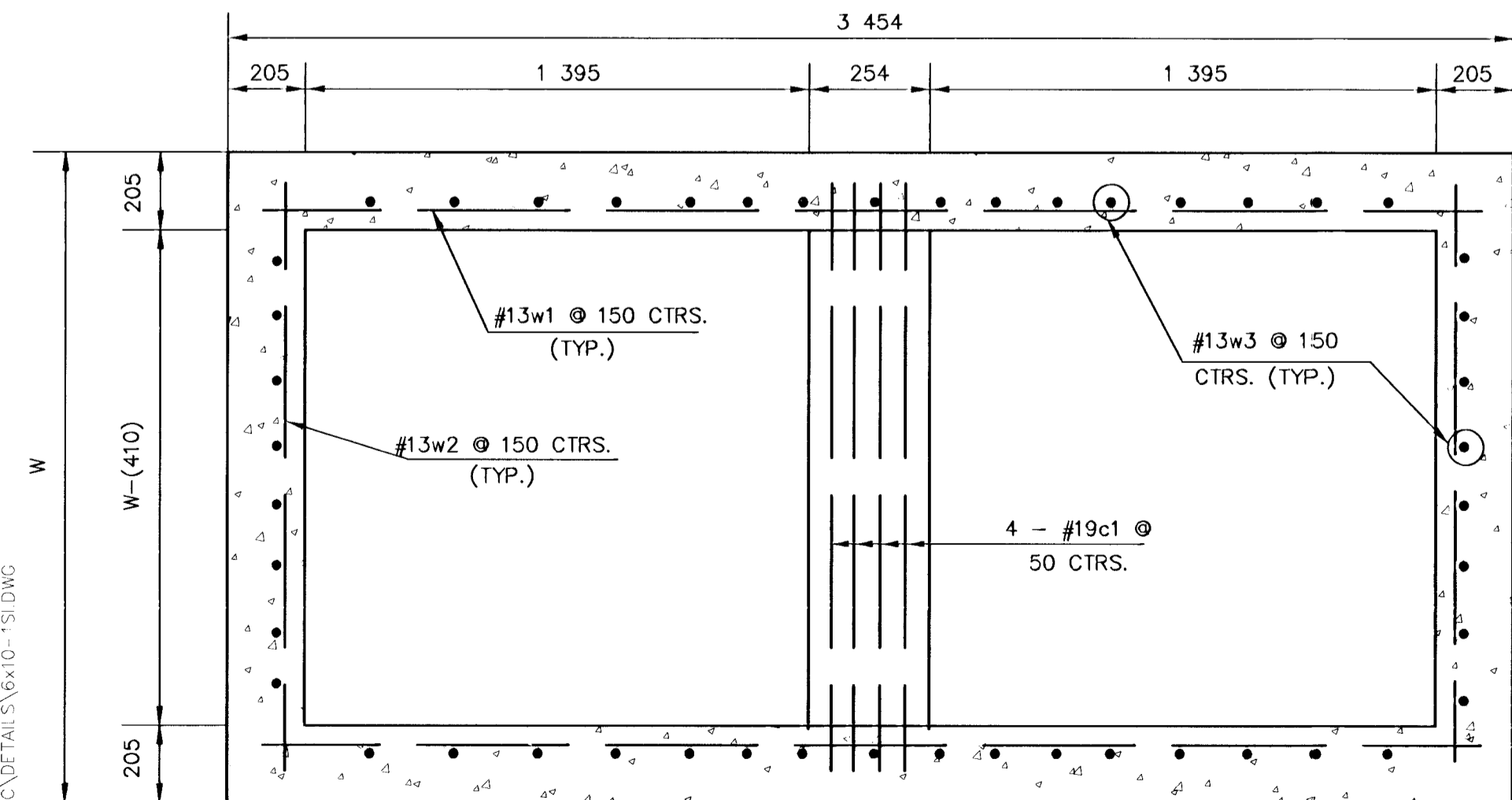


SEE CITY OF WICHITA STANDARD MANHOLE FRAME AND COVER DETAIL SHEET FOR COVER DETAILS TO BE USED WITH INLET FRAME.

COVERS SHALL HAVE THE LETTERING "CITY OF WICHITA STORM WATER"



**SLAB AND FLOOR REINFORCING**

MARK	SIZE	W=1 321		W=1 626		W=1 930		W=2 235		W=2 540	
		NO.	LENGTH	NO.	LENGTH	NO.	LENGTH	NO.	LENGTH	NO.	LENGTH
a1	#13	13	2 015	13	2 625	13	3 230	13	3 840	13	4 450
a2	#13	2	1 830	2	2 440	2	3 050	2	3 660	2	4 265
a3	#13	20	1 245	20	1 550	20	1 855	20	2 160	20	2 465
b1	#13	1	2 945	1	2 945	1	2 945	1	2 945	1	2 945
**b2	#13	18	3 380	24	3 380	30	3 380	36	3 380	42	3 380

**WALL REINFORCING**

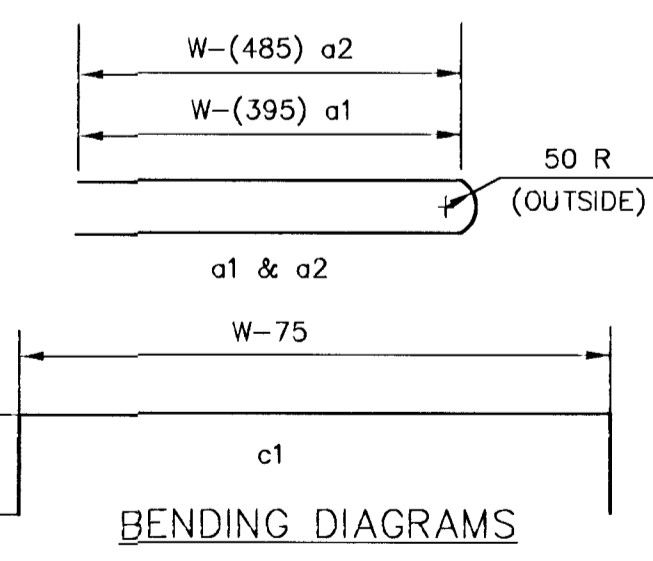
MARK	SIZE	W=1 321		W=1 626		W=1 930		W=2 235		W=2 540	
		NO.	LENGTH	NO.	LENGTH	NO.	LENGTH	NO.	LENGTH	NO.	LENGTH
c1	#19	4	1 855	4	2 160	4	2 465	4	2 770	4	3 075
w1	#13	①	3 380	①	3 380	①	3 380	①	3 380	①	3 380
w2	#13	①	1 245	①	1 550	①	1 855	①	2 160	①	2 465
w3	#13	②	③	②	③	②	③	②	③	②	③

\*\* FIELD BEND OR CUT REINFORCING AS REQUIRED FOR CLEARANCE

①  $2 \left( \frac{H1-200}{150} + 1 \right)$

②  $40 + 2 \left( \frac{W-410}{150} + 1 \right)$

③ H1-(230)



STANDARD CURB INLET PRECAST TOPS			
W	PRE-CAST TOP SIZE	PIPE SIZE	m <sup>3</sup> CONC.
1 321	1 116 x 3 454 x 190	530 & SMALLER	± 0.63
1 626	1 421 x 3 454 x 190	600 & 750	± 0.83
1 930	1 725 x 3 454 x 190	900 & 1 050	± 1.03
2 235	2 030 x 3 454 x 190	1 200 & 1 350	± 1.23
2 540	2 335 x 3 454 x 190	1 500 & 1 675	± 1.43

**GENERAL NOTES**

- CONCRETE SHALL BE C.O.W. STANDARD PAVING MIX. ALL EXPOSED EDGES SHALL BE FINISHED WITH AN EDGING TOOL. REINFORCING BARS SHALL BE FIELD BENT OR CUT TO CLEAR PIPES. ALL BARS ARE #13 BARS AT 150 mm SPACING AND SHALL HAVE A MINIMUM CLEARANCE OF 40 mm UNLESS OTHERWISE NOTED. FLOORS OF INLET SHALL BE SHAPED WITH 8 SACK SAND MIX CONCRETE TO INCREASE HYDRAULIC EFFICIENCY SUCH THAT THE INLET WILL BE SELF-CLEANING BETWEEN ALL INLET AND/OR OUTFALL PIPE(S). THE CONTRACTOR WILL BE REQUIRED TO CONSTRUCT 205 mm BRICK MASONRY WALLS BETWEEN THE CONCRETE INLET BASE AND TOP ON THIS INLET WHEN H= 2 135 mm OR LESS AND W= 1 930 mm OR LESS.
- THE ENDS OF ALL PIPES INSTALLED IN INLETS SHALL BE CUT OFF FLUSH WITH THE INSIDE FACE OF THE INLET WALL.

REVISED: 12-21-1984

**STANDARD TYPE 1 CURB INLET**  
INLET OPENING=150 x 3 044

OCTOBER, 1984

CITY OF WICHITA, KANSAS

Design BER	Checked by	Checked by	
Drawn by KJS	Date	Date	Job No.