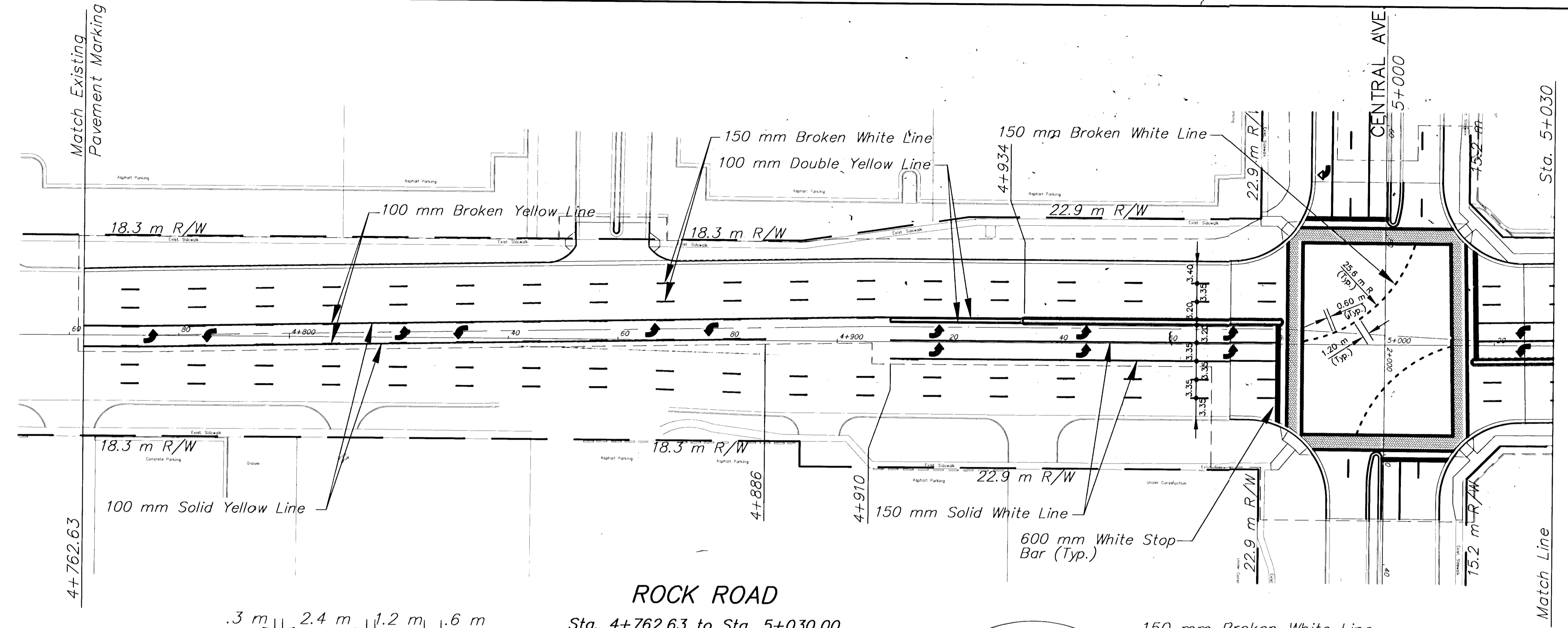
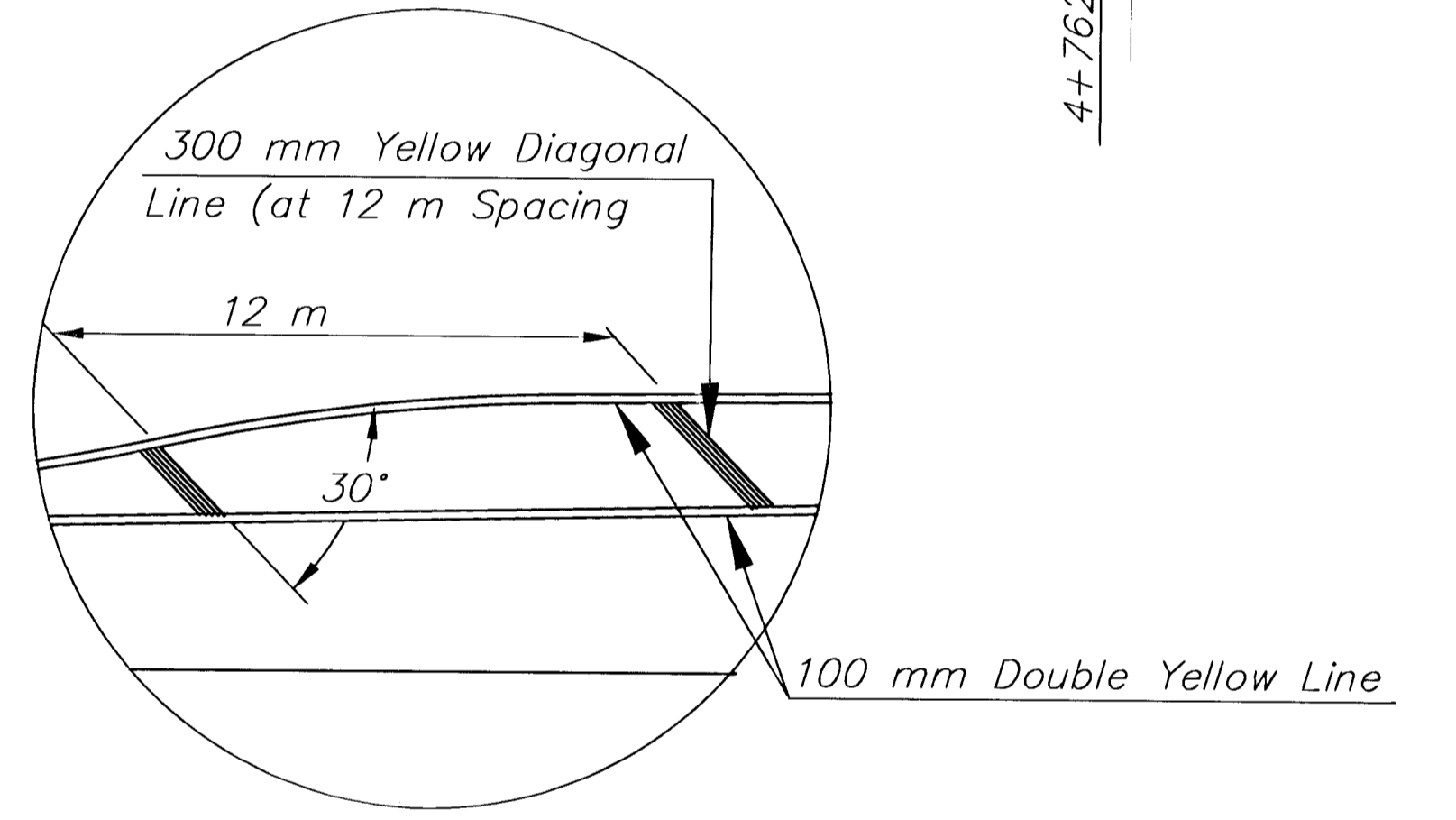


FHWA REG. NO.	STATE	PROJECT NO.	YEAR	SHEET NO.	TOTAL SHEETS
7	KANSAS	87N-0196-01	2001	34	55

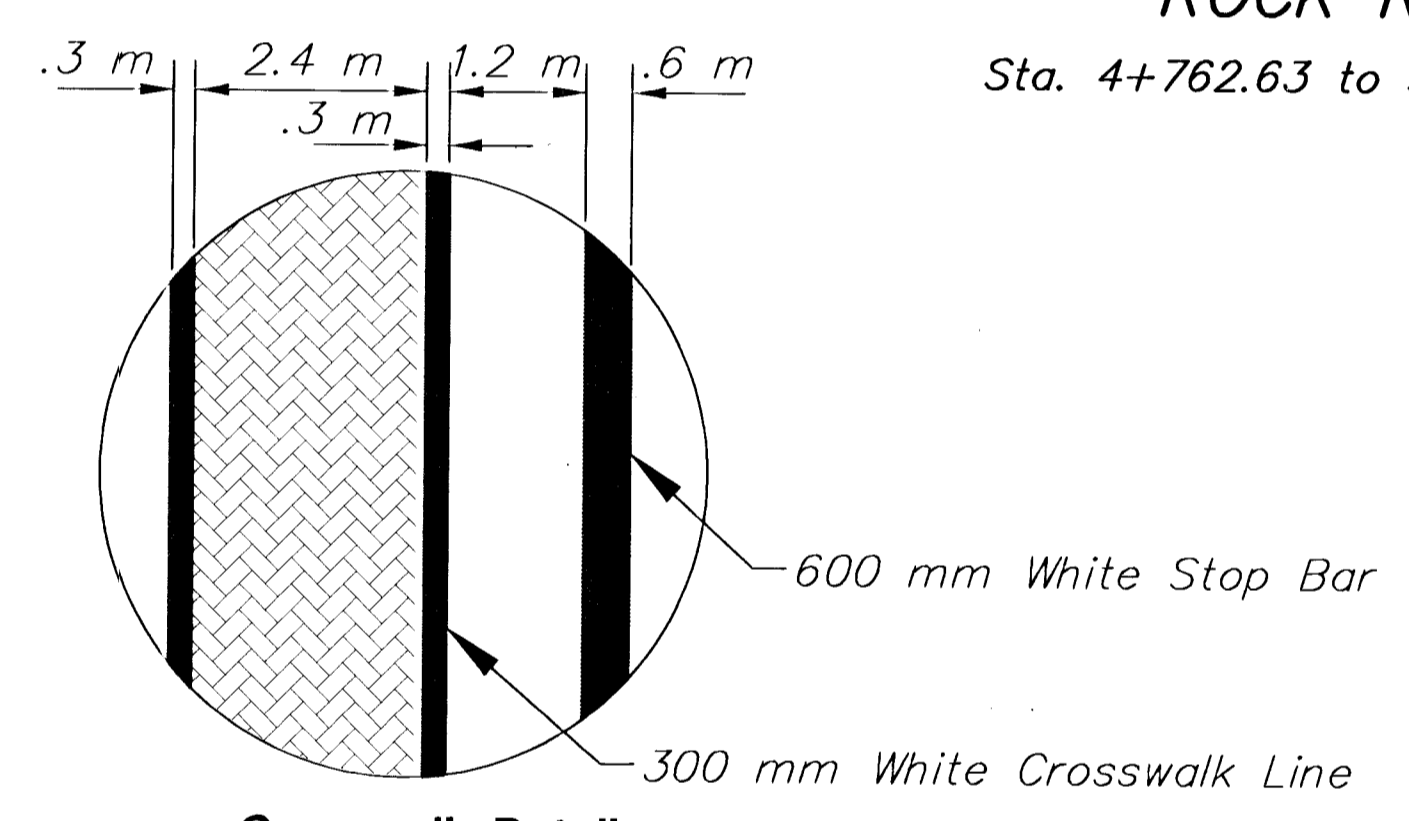
DATE	
BY	
REFERENCES NOTED	
REFERENCES CHECKED	



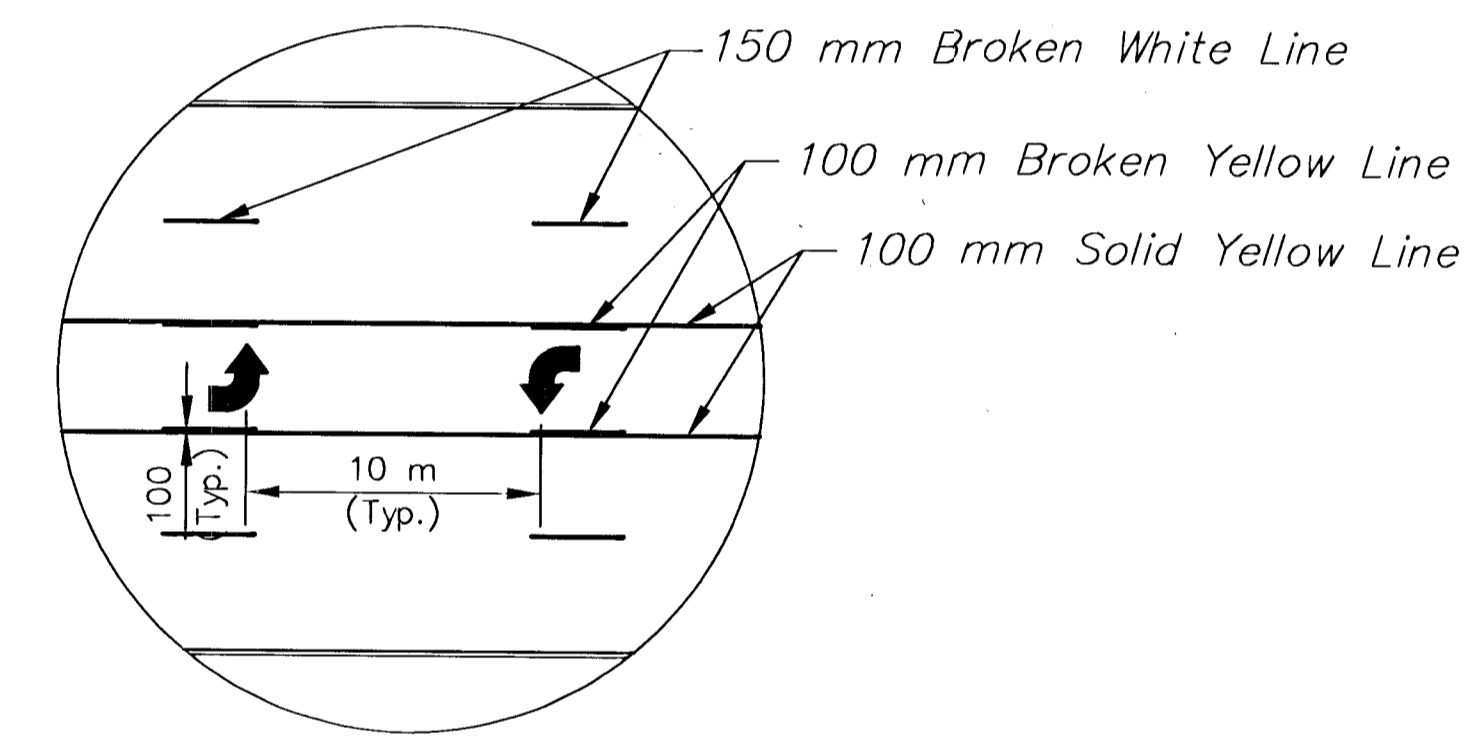
ROCK ROAD
Sta. 4+762.63 to Sta. 5+030.00



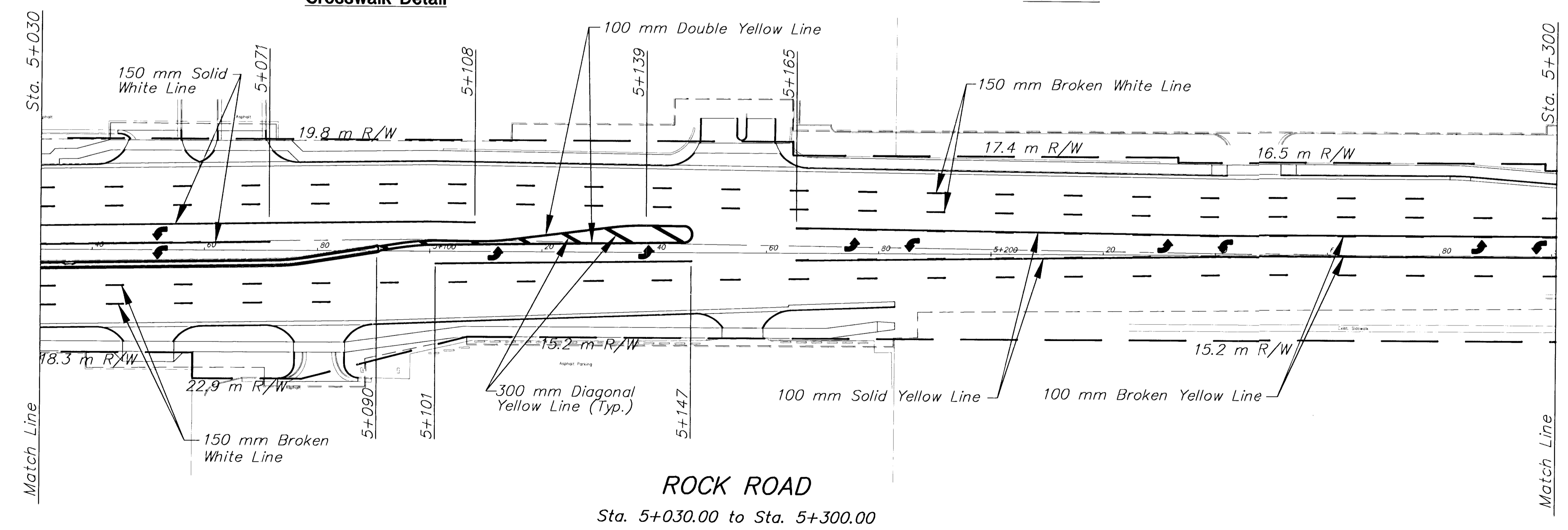
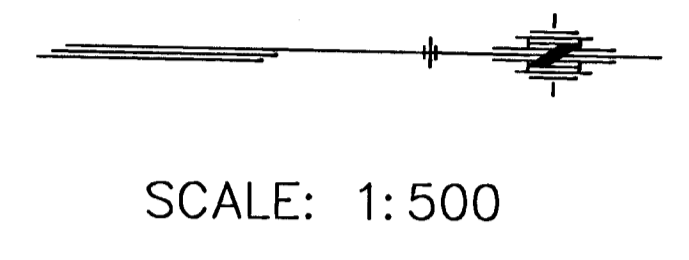
TYPICAL TRANSITION BAY



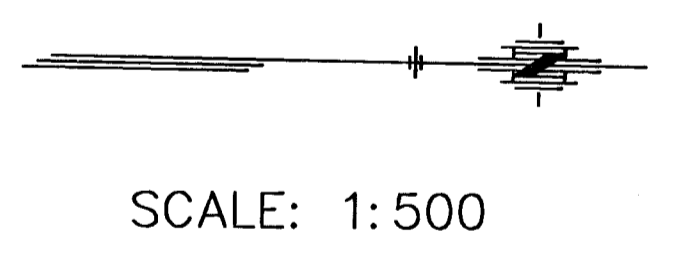
Crosswalk Detail



Detail "A"



ROCK ROAD
Sta. 5+030.00 to Sta. 5+300.00



2					
1					
NO.	DATE	REVISIONS	BY	APP'D	
KANSAS DEPARTMENT OF TRANSPORTATION					
CENTRAL & ROCK INTERSECTION					
PAVEMENT MARKING PLAN					
PROJ. NO. 87N-0196-01			SEDGWICK CO.		
MKEC ENGINEERING CONSULTANTS, INC.					
WICHITA, KANSAS					
DESIGNED BY:	ASH	CHECKED BY:	GJA		
DRAWN BY:	DAG	DATE:	APR. 2001	SHEET	34 OF 55