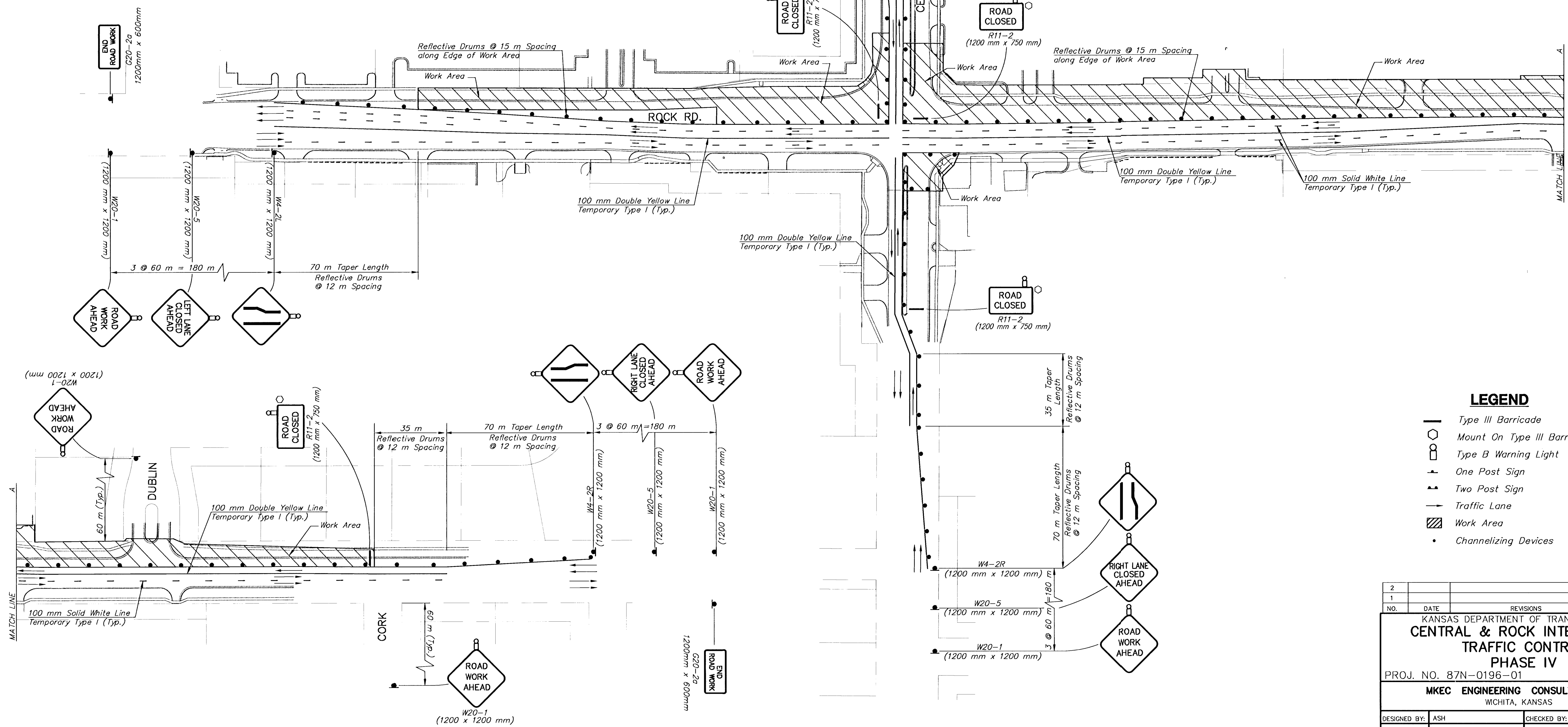
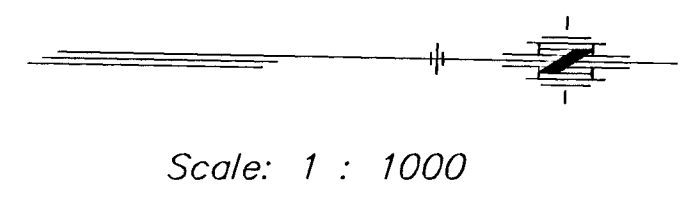
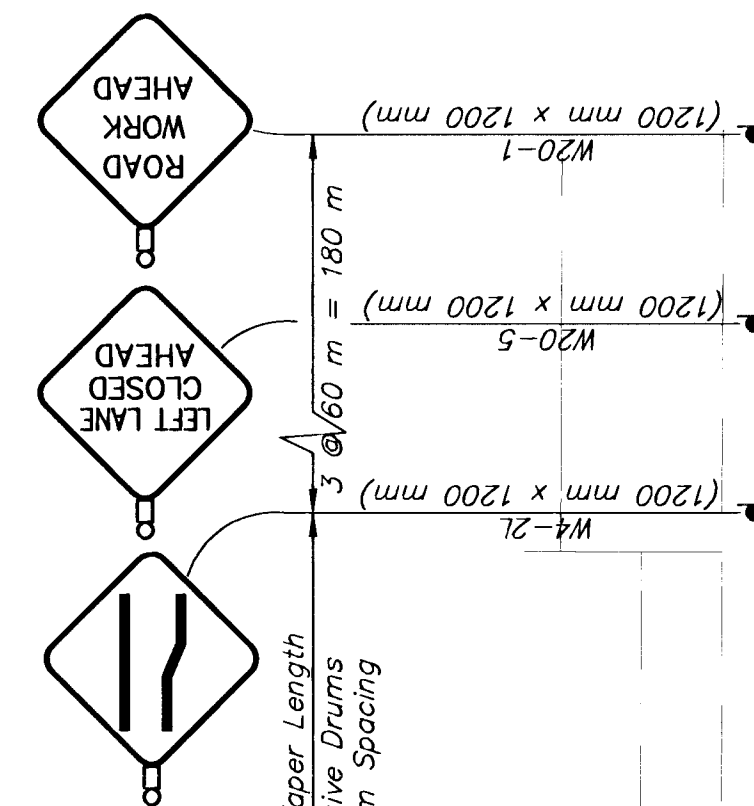
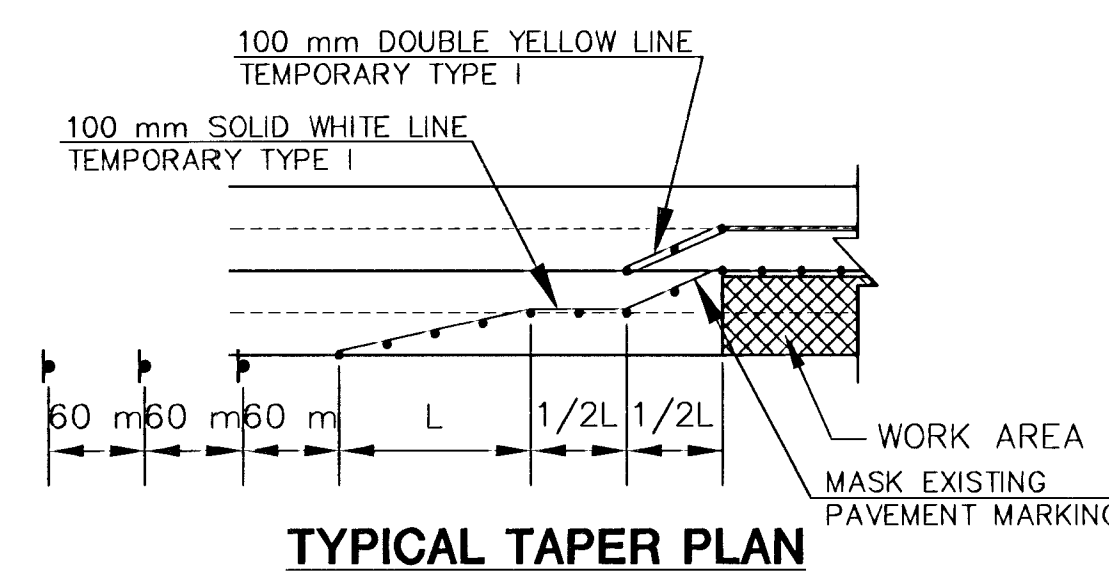
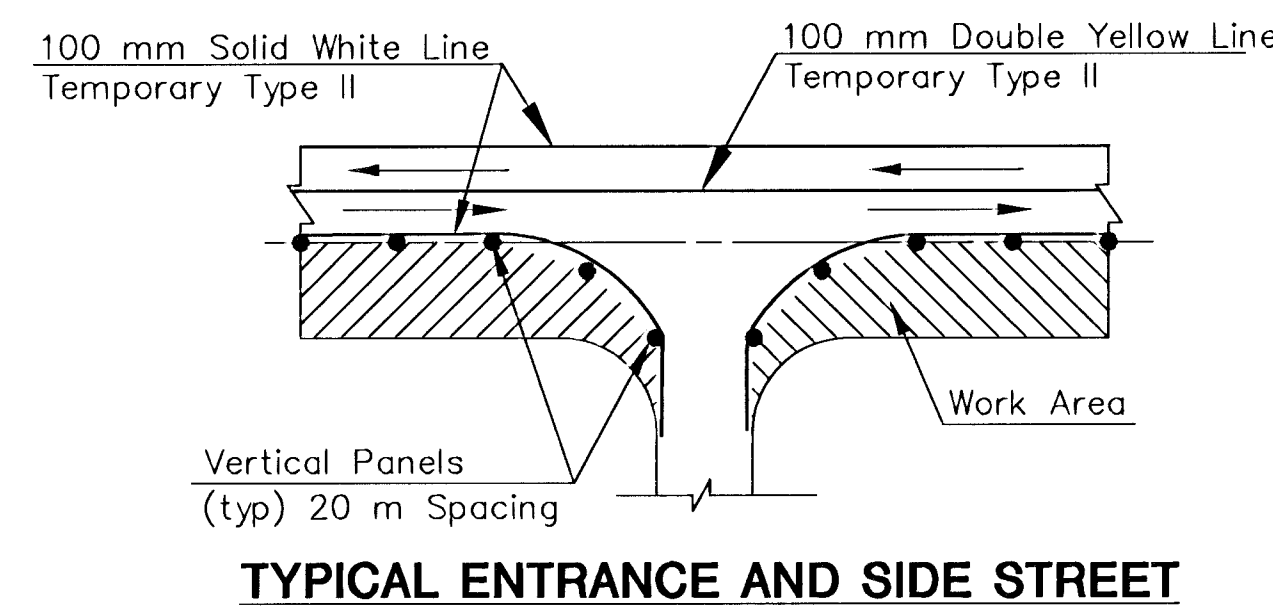


FHWA REG. NO.	STATE	PROJECT NO.	YEAR	SHEET NO	TOTAL SHEETS
7	KANSAS	87N-0196-01	2001	40	55

DATE	
BY	
REFERENCES - NOTICED	
REFERENCES - CHECKED	



- LEGEND**
- Type III Barricade
 - Mount On Type III Barricade
 - Type B Warning Light
 - One Post Sign
 - Two Post Sign
 - Traffic Lane
 - Work Area
 - Channelizing Devices

2					
1					
NO.	DATE	REVISIONS	BY	APP'D	
KANSAS DEPARTMENT OF TRANSPORTATION CENTRAL & ROCK INTERSECTION TRAFFIC CONTROL PHASE IV PROJ. NO. 87N-0196-01 SEDGWICK CO. MKEC ENGINEERING CONSULTANTS, INC. WICHITA, KANSAS					
DESIGNED BY:	ASH	CHECKED BY:	GJA		
DRAWN BY:	DAG	DATE:	APR. 2001	SHEET 40 OF 55	