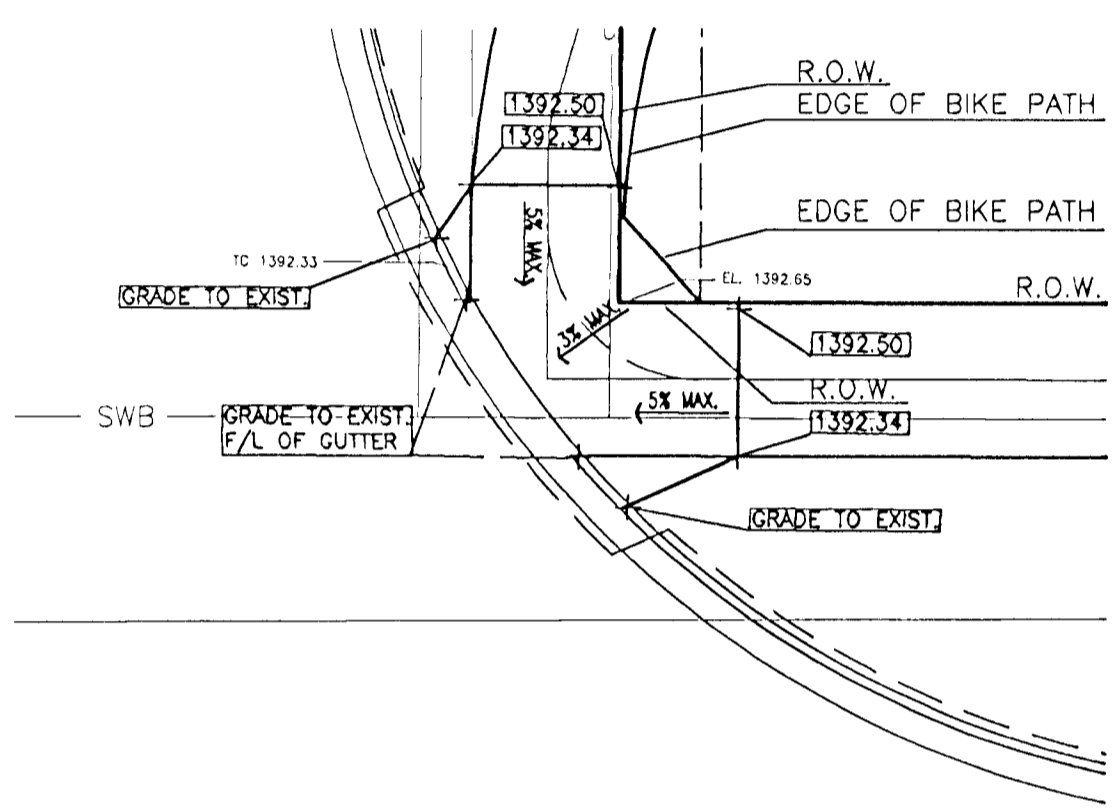
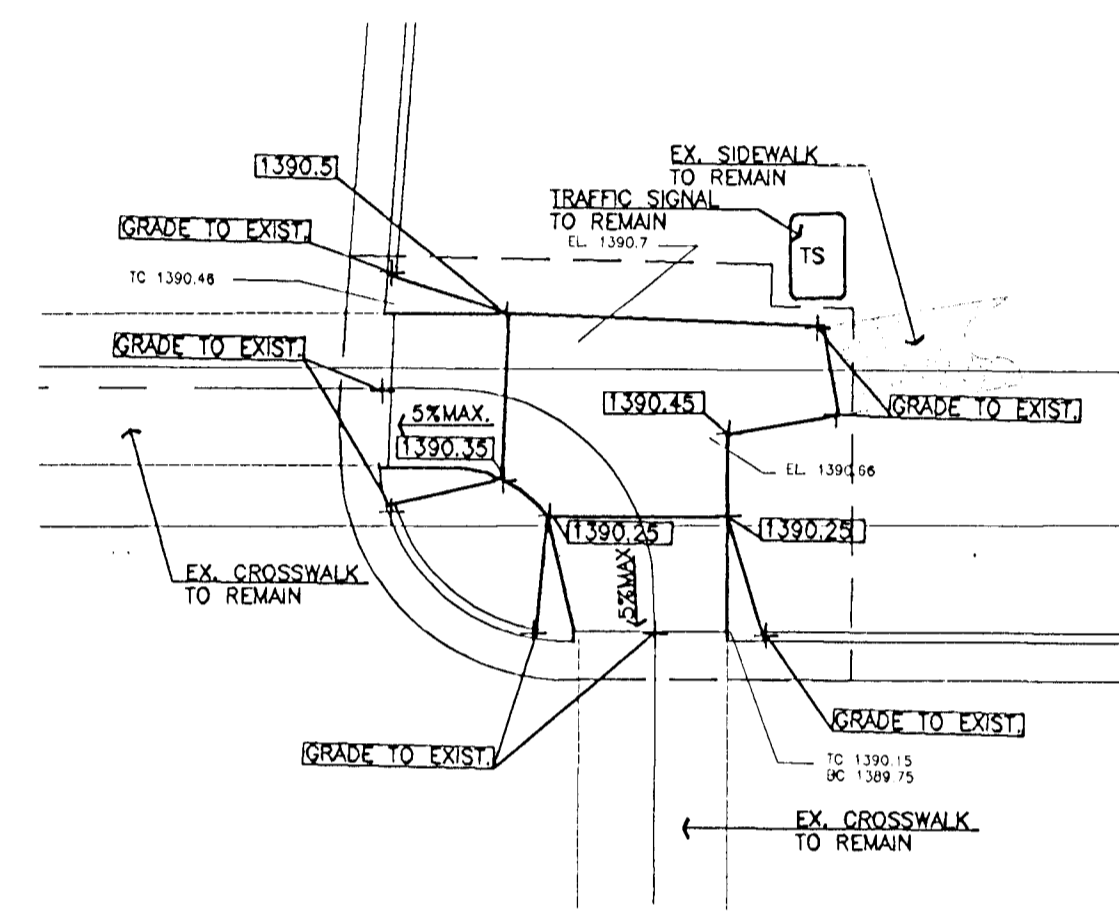


**LAYOUT PLAN**

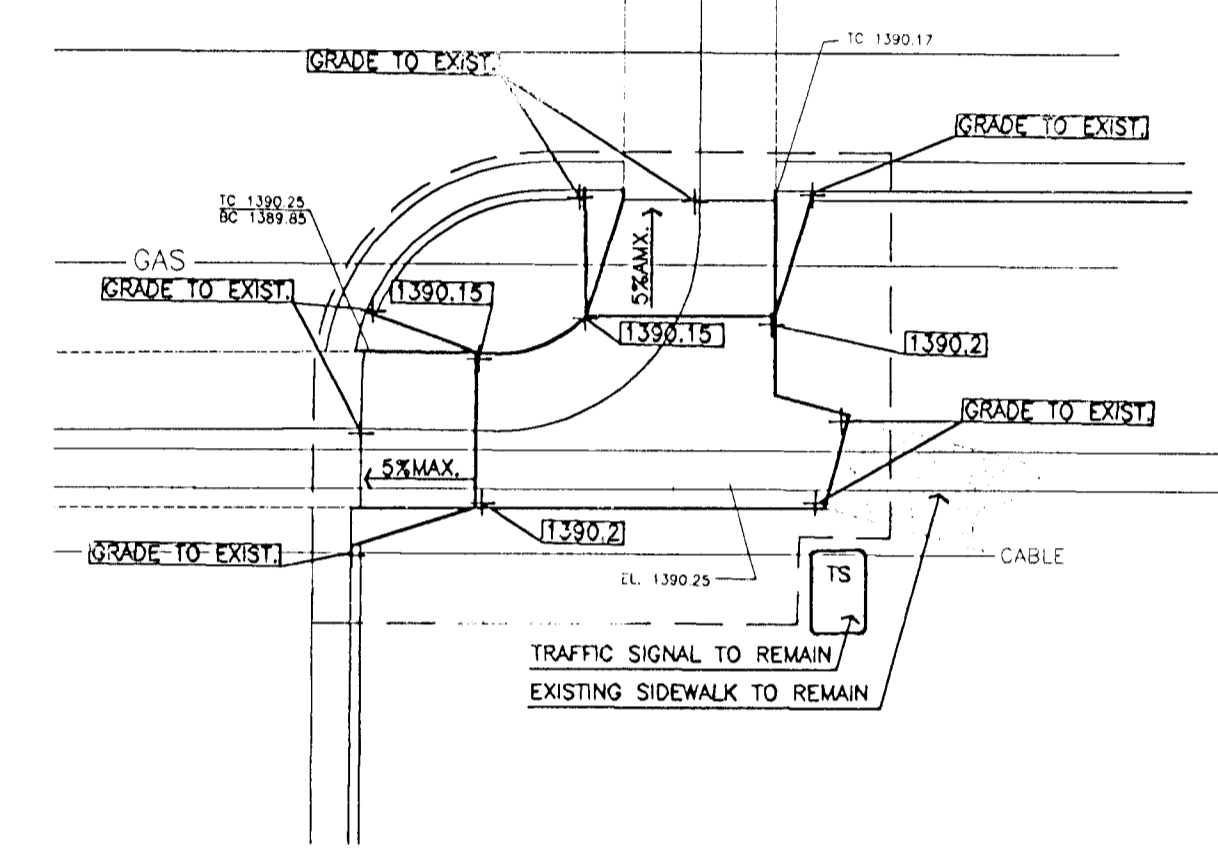
SCALE: 1" = 20'-0"



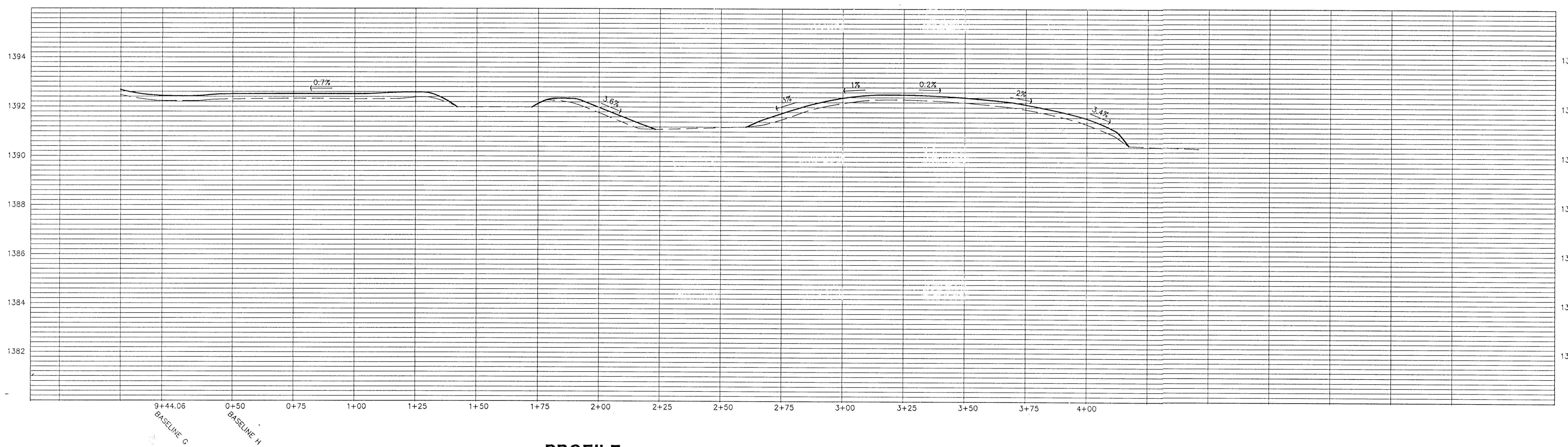
**ENLARGED LAYOUT PLAN B**  
SCALE: 1" = 10'-0"



**ENLARGED LAYOUT PLAN C**  
SCALE: 1" = 10'-0"



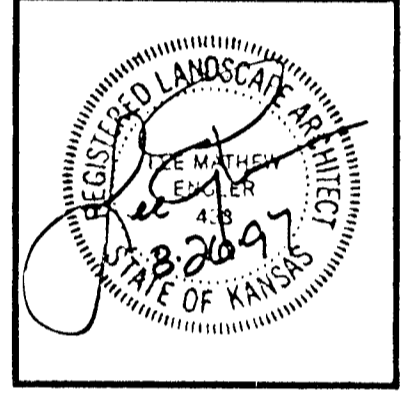
**ENLARGED LAYOUT PLAN D**  
SCALE: 1" = 10'-0"



**PROFILE**

HORIZONTAL SCALE: 1" = 20'-0"  
VERTICAL SCALE: 1" = 2'-0"

**Wilson Darnell Mann PA**  
architecture site planning interiors  
105 N. Washington  
Wichita, Kansas 67202 316-262-4700



COPYRIGHT © 1994  
Wilson Darnell Mann, PA

prints issued  
5/1/95 FIELD CHECK  
11/3/95 OFFICE CHECK  
5/10/96 OFFICE CHECK  
12/15/96 CONST.  
3/5/97 FINAL CHECK

WDM no. 93242  
drawn WDM check LME

**BIKE PATH**  
WICHITA, KANSAS

PLAN  
&  
PROFILE