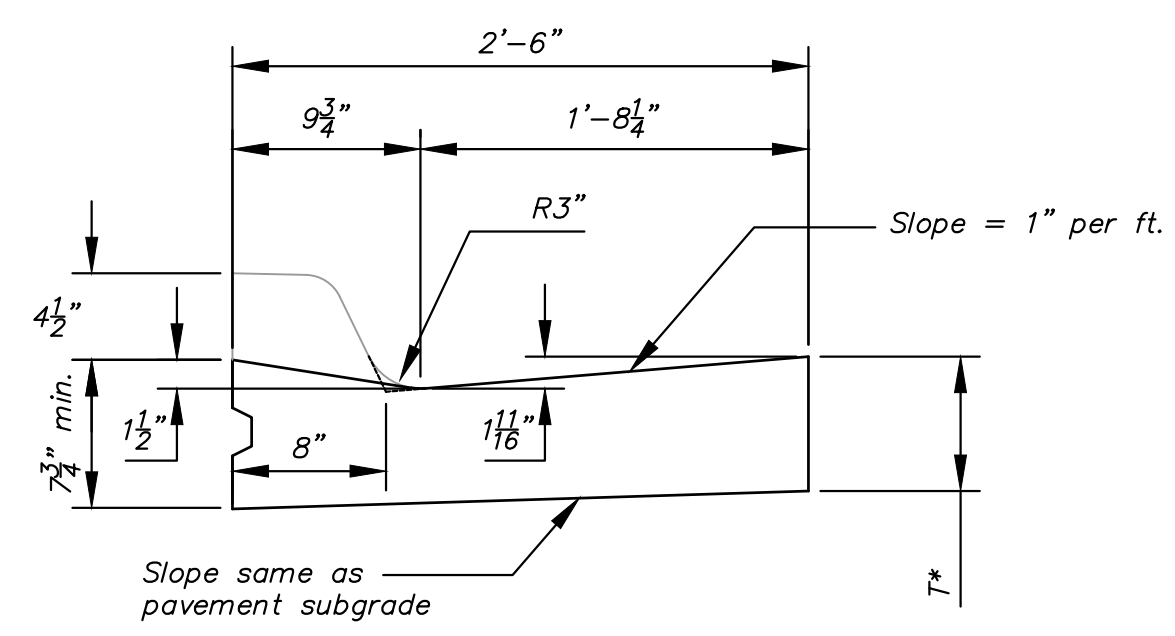
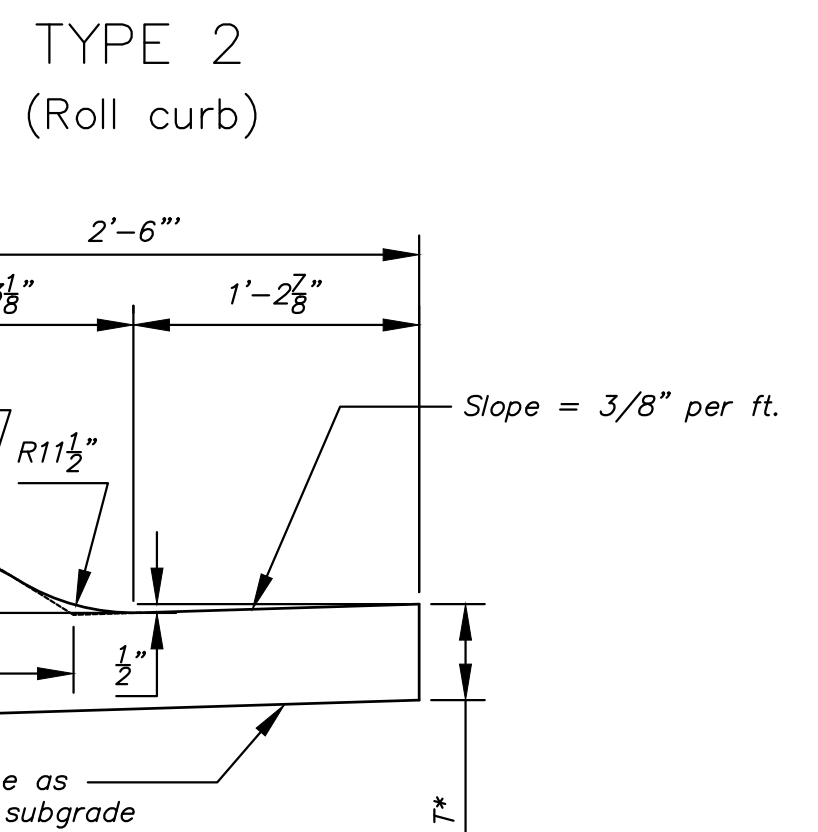


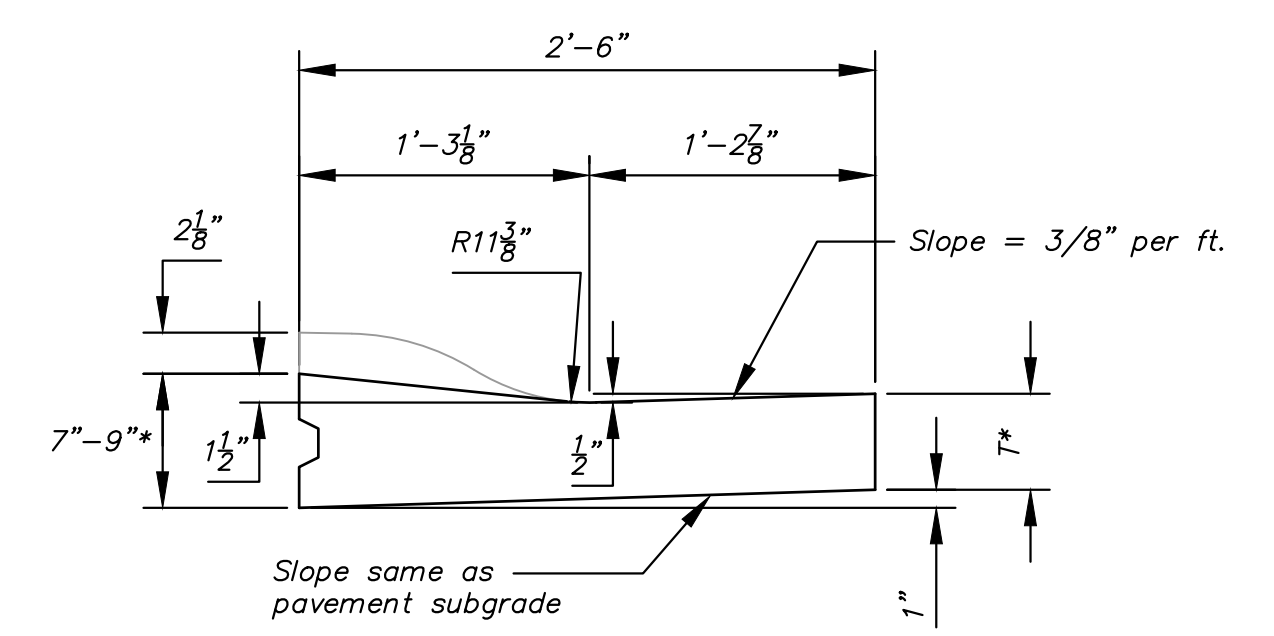
Combined Curb & Gutter (6")



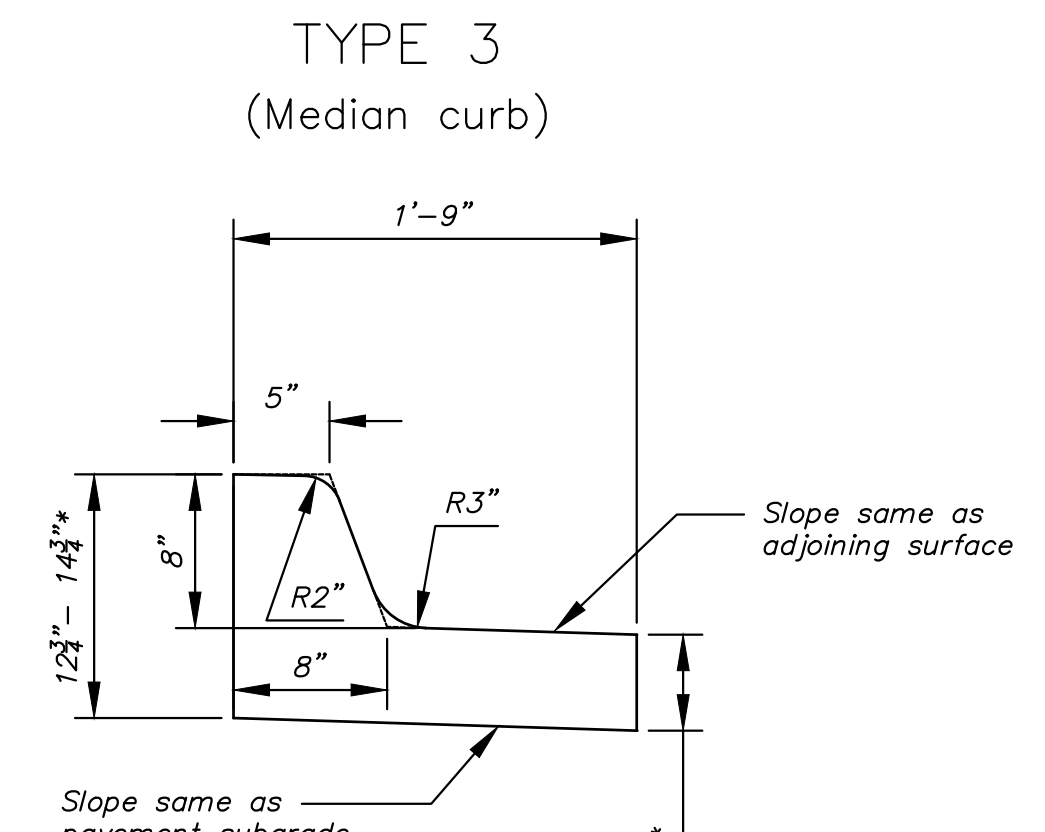
Combined Curb & Gutter (1 1/2")



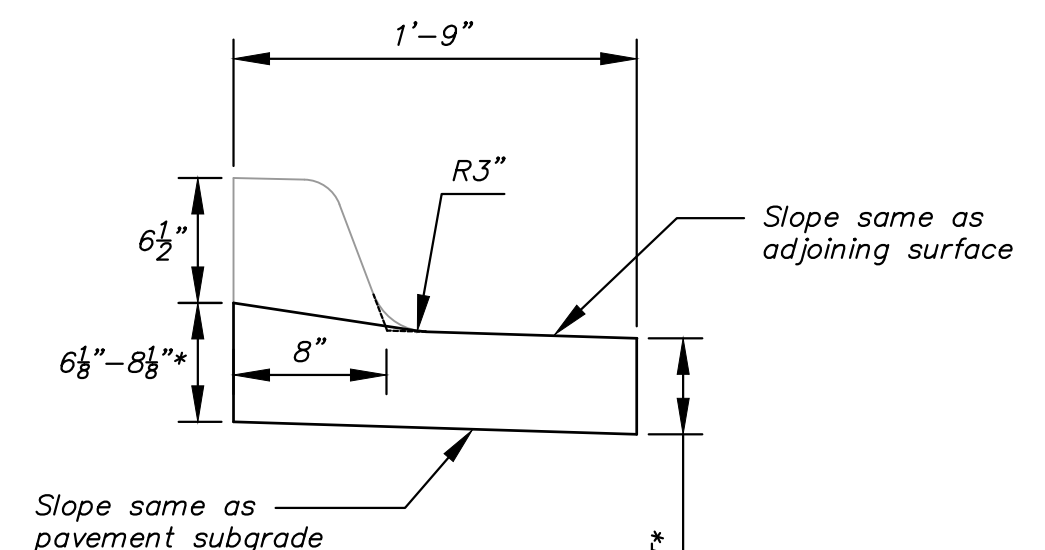
Combined Curb & Gutter (3 5/8")



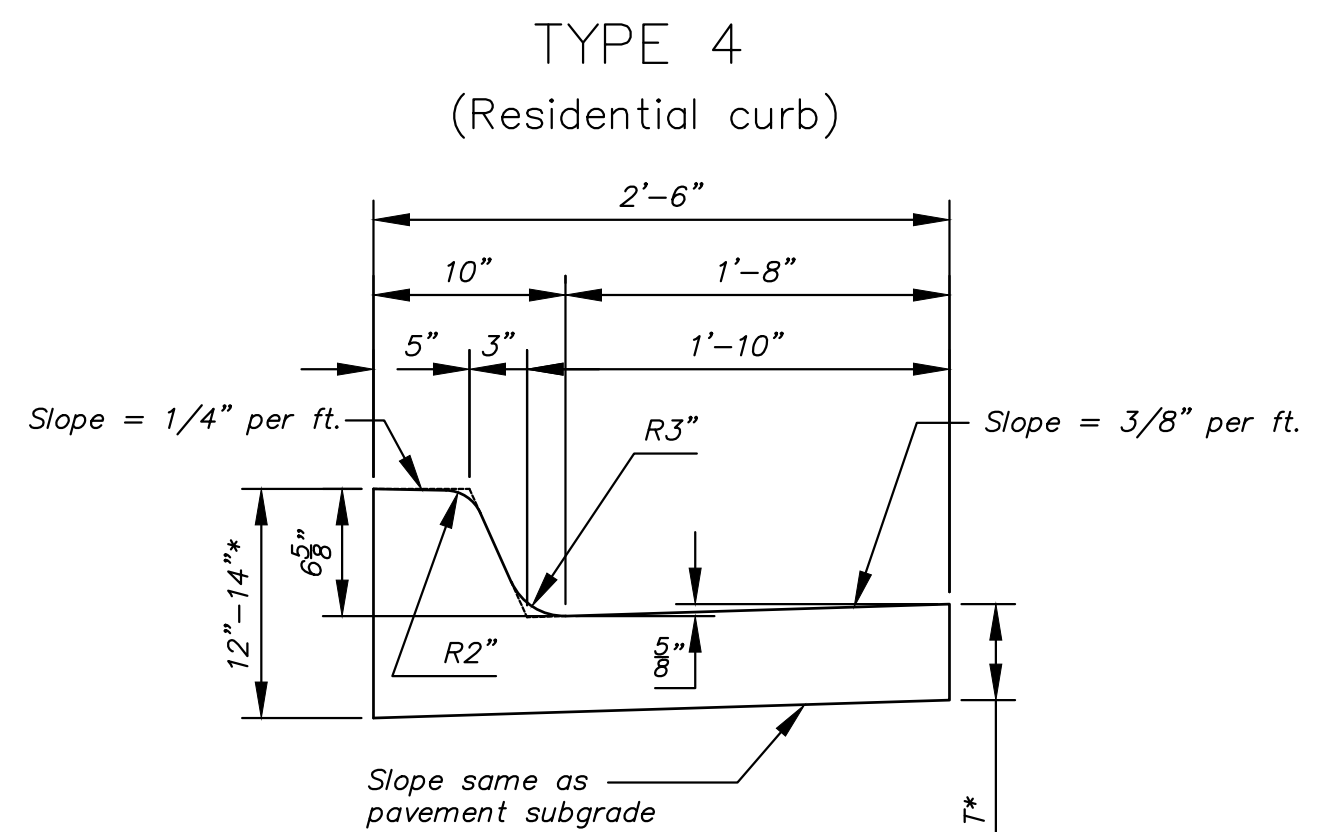
Combined Curb & Gutter (1 1/2")



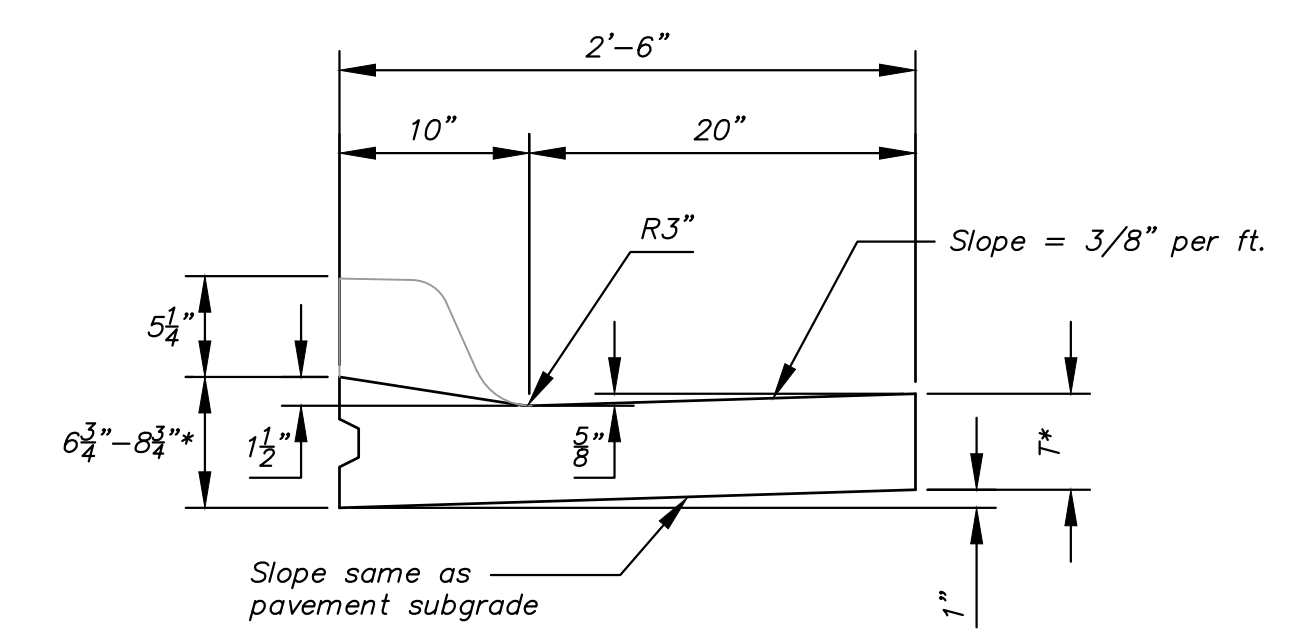
Combined Curb & Gutter (8")



Combined Curb & Gutter (1 1/2")

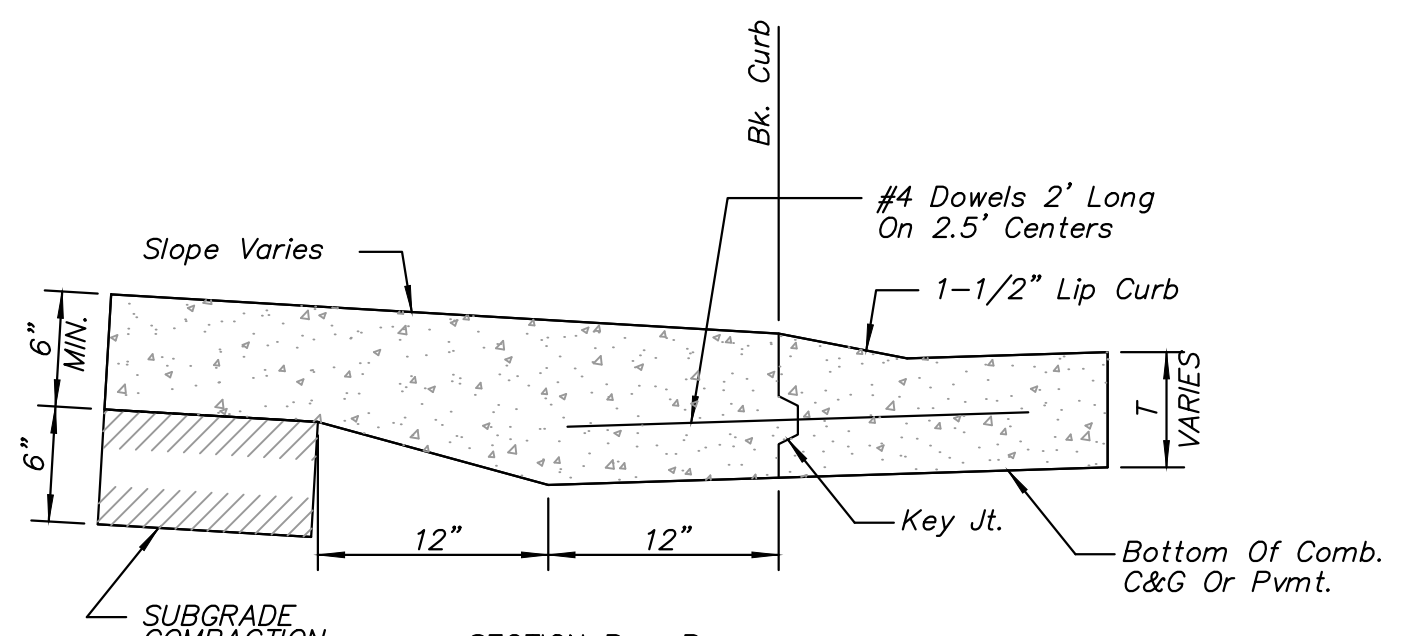


Combined Curb & Gutter (6 5/8")

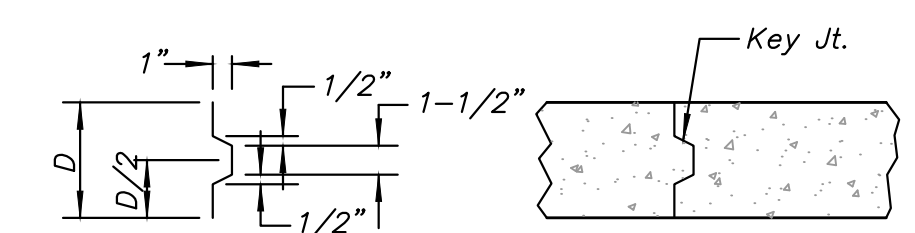


Combined Curb & Gutter (1 1/2")

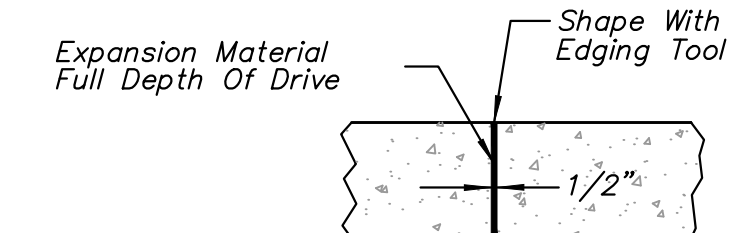
T* = Thickness of curb to adjust with pavement thickness



BACK OF CURB DETAIL



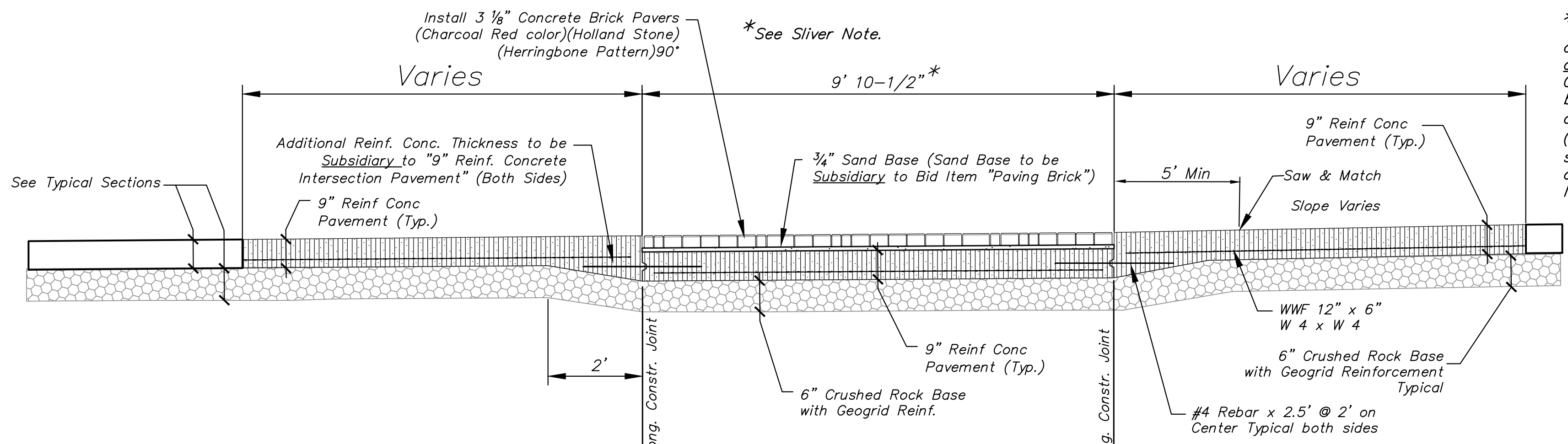
ALT. LONGITUDINAL CONSTRUCTION JOINT



EXPANSION JOINT (E.J.)

GENERAL NOTES

1. Expansion (isolation) joints shall be constructed a maximum of 300' apart and at all Pls, PCs, cul-de-sac quadrants, and ends of returns.
2. Contraction joints shall be constructed a minimum of 12' apart.
3. Joint sealer shall be required at all joints on arterial and industrial streets and at intersections on residential streets.



PAVING BRICK CROSSWALK DETAIL

*Brick Pavers to be installed in crosswalk and/or median locations shall be custom cut to match final concrete dimensions. Contractor shall construct crosswalk blockouts to match nominal paver width dimensions. Fill in with "brick slivers" (defined as pieces smaller than 1/2 of the shortest paver dimension) shall not be allowed, except at the end of crosswalk locations.

<p>CITY OF WICHITA PUBLIC WORKS & UTILITIES ENGINEERING DIVISION</p>	<p>REVISED: OCTOBER 2015</p> <p>CURB & GUTTER & PAVING BRICK CROSSWALK DETAILS</p> <p>CITY ENGINEER GARY JANZEN, P.E.</p>		
	PROJECT NUMBER	OCA NUMBER	DATE
	CITY ENGINEER'S OFFICE CITY HALL - SEVENTH FLOOR 455 NORTH MAIN STREET WICHITA, KANSAS 67202-1620 (316) 268-4501		SHEET 10