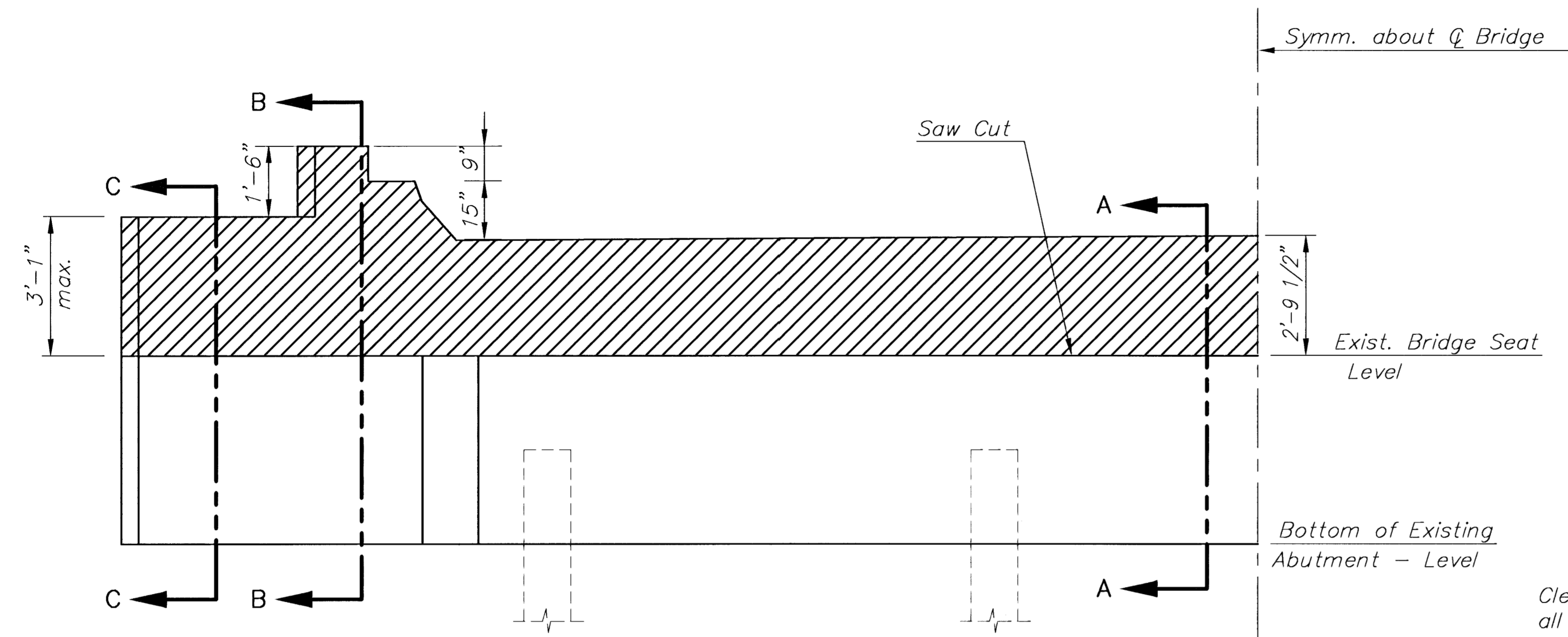
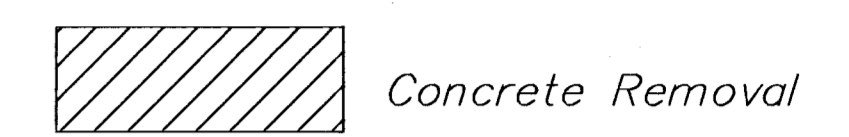


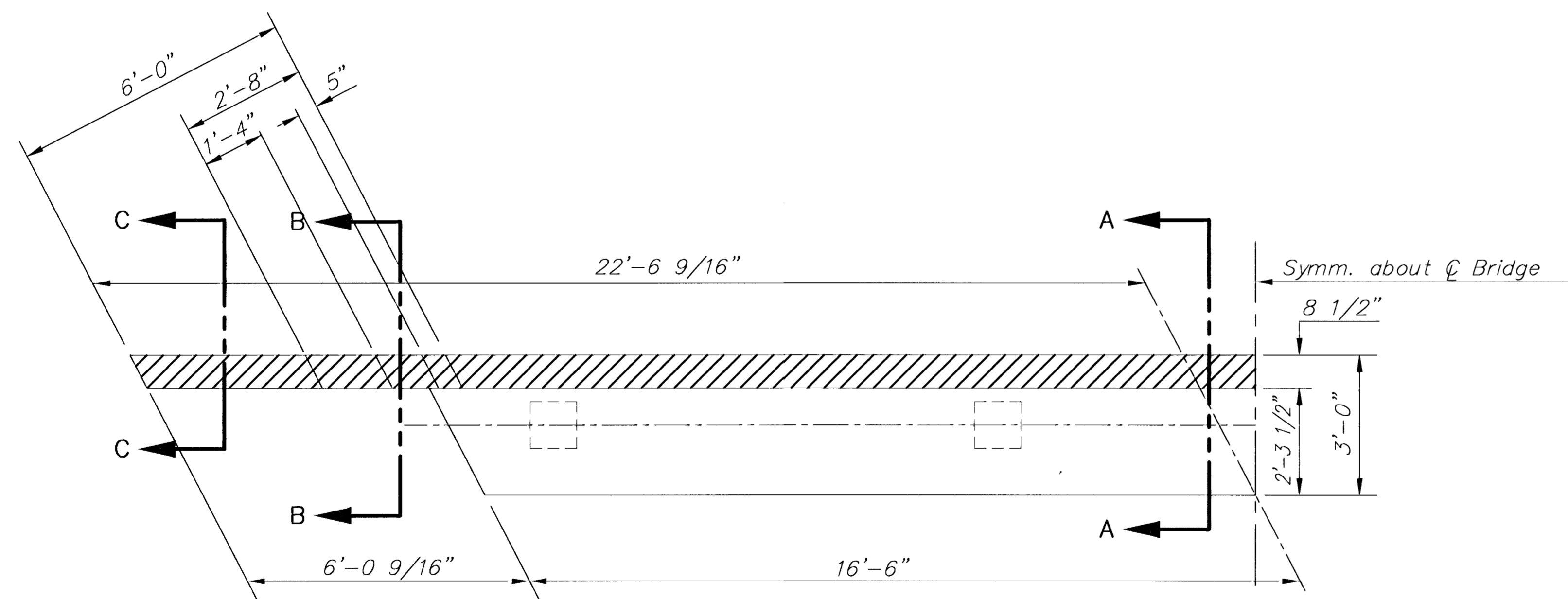
**NOTES:**

- All dimensions are approximate, actual dimensions may vary.

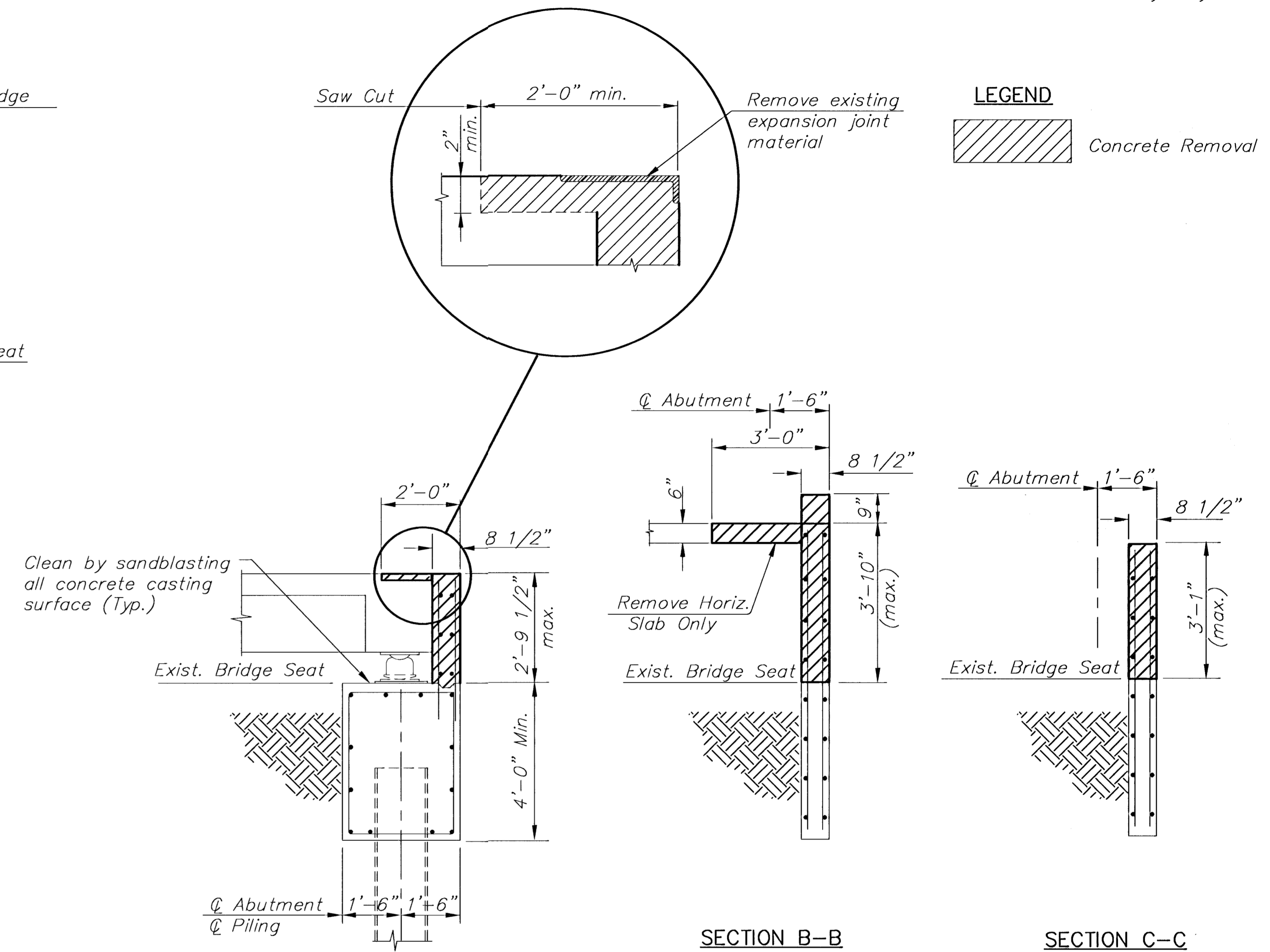
**LEGEND**



**EXIST. ABUTMENT ELEVATION**



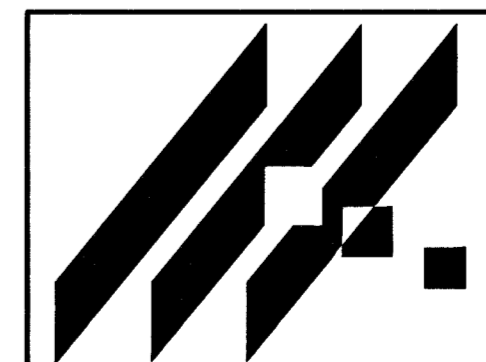
**EXIST. ABUTMENT PLAN**



**SECTION A-A**

**SECTION B-B**

**SECTION C-C**



MID-KANSAS ENGINEERING  
CONSULTANTS, INC.  
411 N. WEBB ROAD  
WICHITA, KS. 67206  
316-684-9600

**37TH STREET NORTH BRIDGE**  
PROJECT NAME

**BRIDGE ABUTMENT DEMOLITION**  
SHEET TITLE

DESIGN BY: KJS      DRAWN BY: DPG/MLW      CHECKED BY: MJV

DATE: APRIL 1998      JOB NO.: 96085      SHEET/OF: 8 / 23

G:\CIVIL\96085\DETAILS\96085D02 Tue May 12 13:35:19 1998 PLOTTED BY DPG