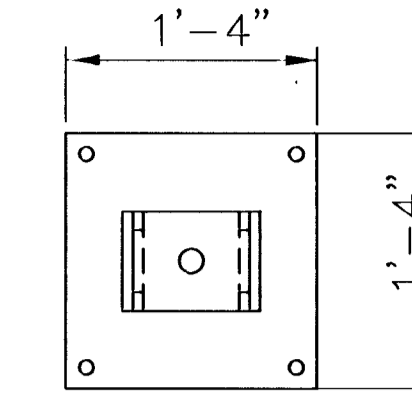
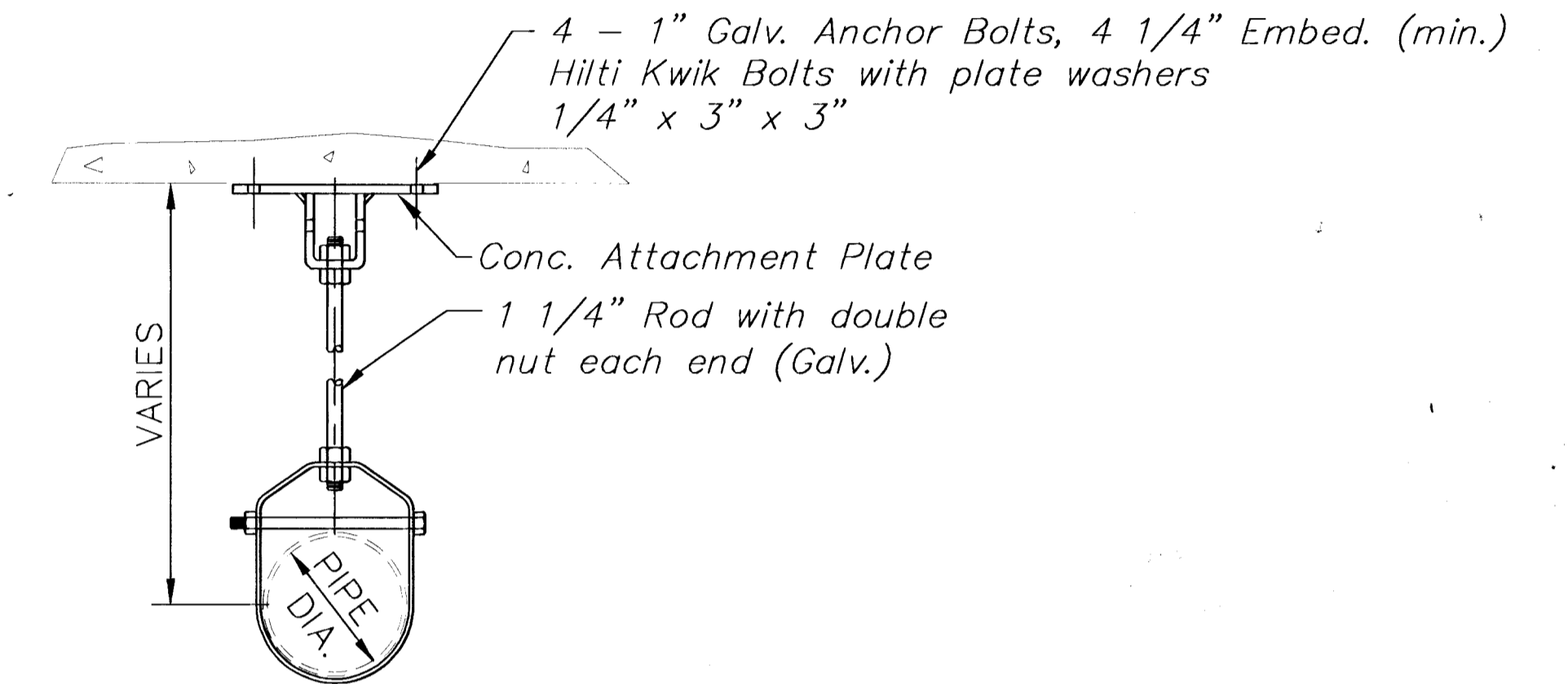


HALF BRIDGE ELEVATION AT PIER



CONCRETE ATTACHMENT PLATE
GRINNELL FIG. #52 (Galv.)



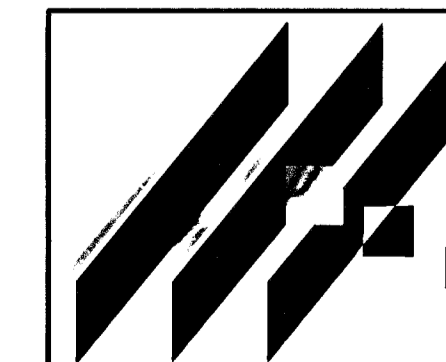
ADJUSTABLE CLEVIS HANGER
GRINNELL FIG. #260 (Galv.)

PIPE HANGER ASSEMBLY

The pipe hanger assembly shall be installed on the south side of the bridge running parallel to the centerline of the bridge.

Materials and labor for installation of the attachment plate and clevis hanger shall be subsidiary to the bid item "Pipe Hanger Assembly".

QUANTITIES (FOR INFORMATION ONLY)		
ITEM	QUANTITY	UNIT
Pipe Hanger Assembly	115	Each



MID-KANSAS ENGINEERING
CONSULTANTS, INC.
411 N WEBB ROAD
WICHITA, KS. 67206
316-684-9600

37TH STREET NORTH BRIDGE
PROJECT NAME

WATER LINE HANGER DETAILS
SHEET TITLE

DESIGN BY:	DPG	CHECKED BY:
APRIL 1998	96085	12 / 23
DATE	JOB NO.	SHEET / OF