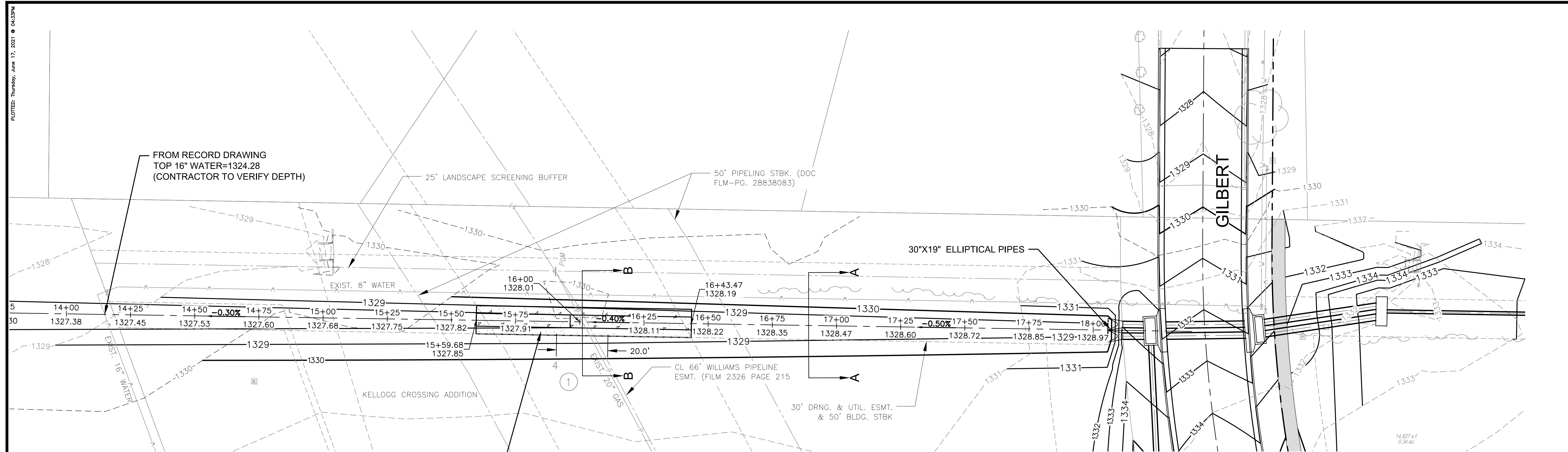
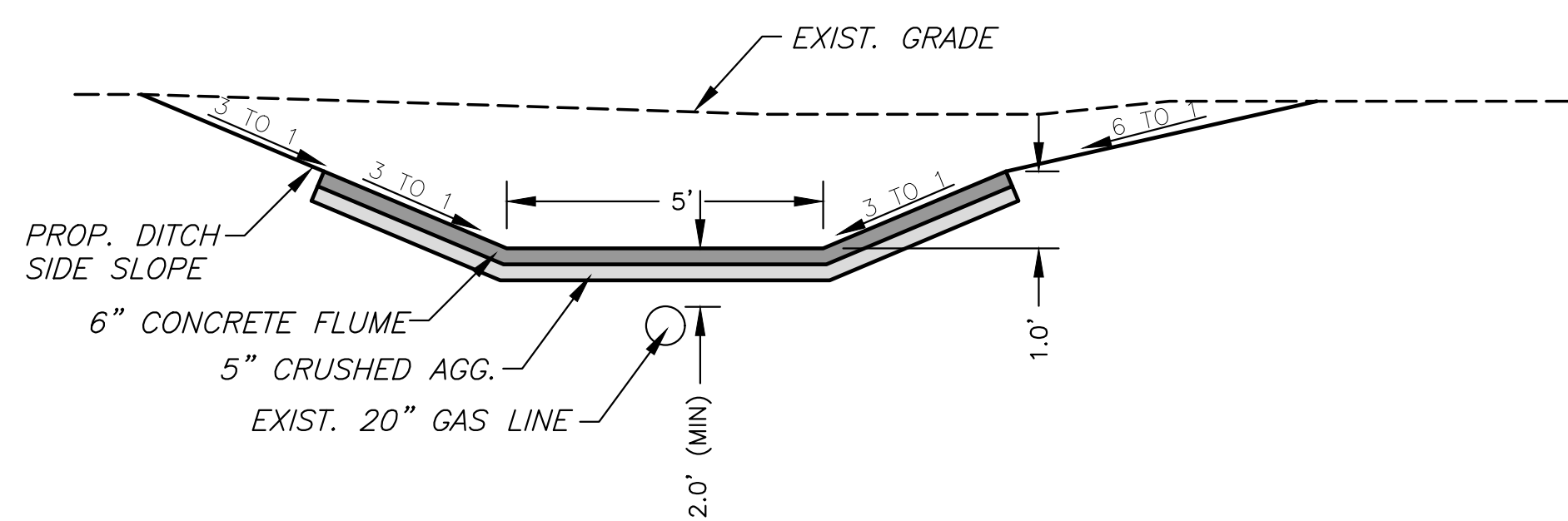


PAVING & INCIDENTAL DRAINAGE FOR
KELLOGG CROSSING ADDITION
 PHASE 2 - GILBERT

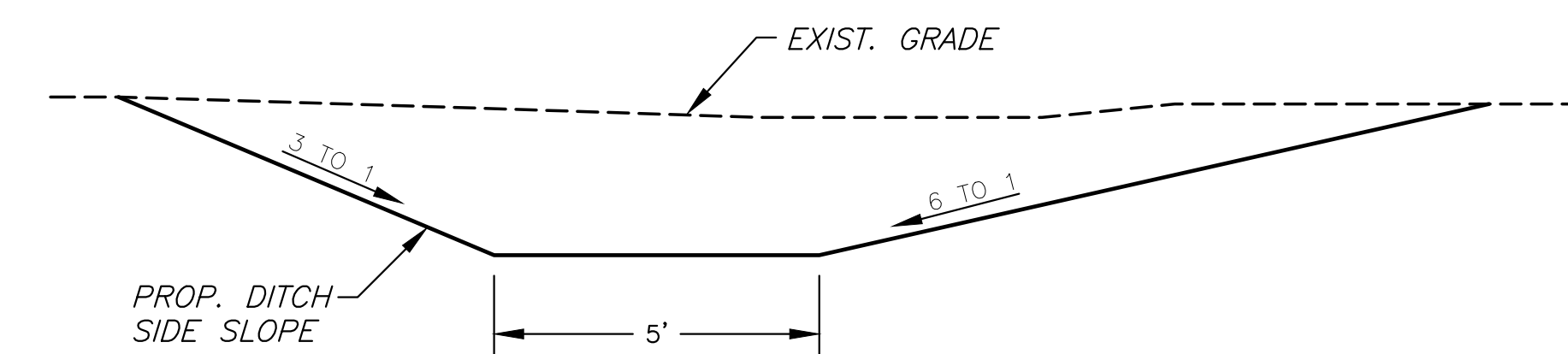


STA. 15+59.68 TO STA. 16+43.47
 CONST. 6" CONC. FLUME W/5"
 CRUSHED ROCK BASE (SEE DETAIL B-B)

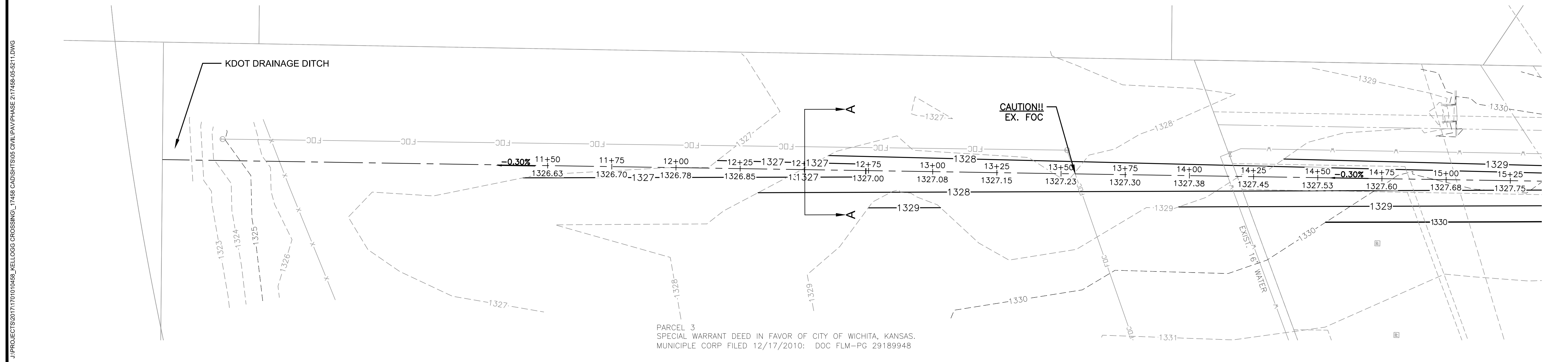
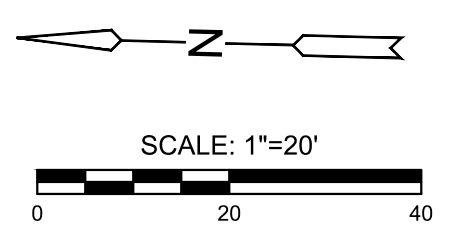
NOTE: REMOVE TREES AS NEEDED FOR STREET CONSTRUCTION AND GRADING



B-B PROP. CONCRETE FLUME DETAIL



A-A PROP. DITCH DETAIL



PARCEL 3
 SPECIAL WARRANT DEED IN FAVOR OF CITY OF WICHITA, KANSAS.
 MUNICIPAL CORP FILED 12/17/2010: DOC FLM-PG 29189948

©2021
 MKEC Engineering
 All Rights Reserved
 www.mkec.com
 These drawings and their contents, including, but not limited to, all concepts, designs, & ideas are the exclusive property of MKEC Engineering (MKEC), and may not be used or reproduced in any way without the express consent of MKEC.

GAS CROSSING & DITCH DETAIL

| | |
|-------------|-----------------|
| PROJECT NO. | 472-2019-085526 |
| DATE | JUNE 2021 |
| SCALE | 1"=20' |
| DESIGNED | CRM |
| DRAWN | RWB |
| CHECKED | CRM |

| NO. | REVISION | DATE |
|-----|----------|------|
| | | |
| | | |

SHEET NO.

PLOTTED: Thursday, June 17, 2021 @ 04:35PM
 J:\PROJECTS\2017\17010468_KELLOGG CROSSING_17468_CAD\SHOTS\05_CIVIL\PAVPHASE 2\17468-05-021.DWG