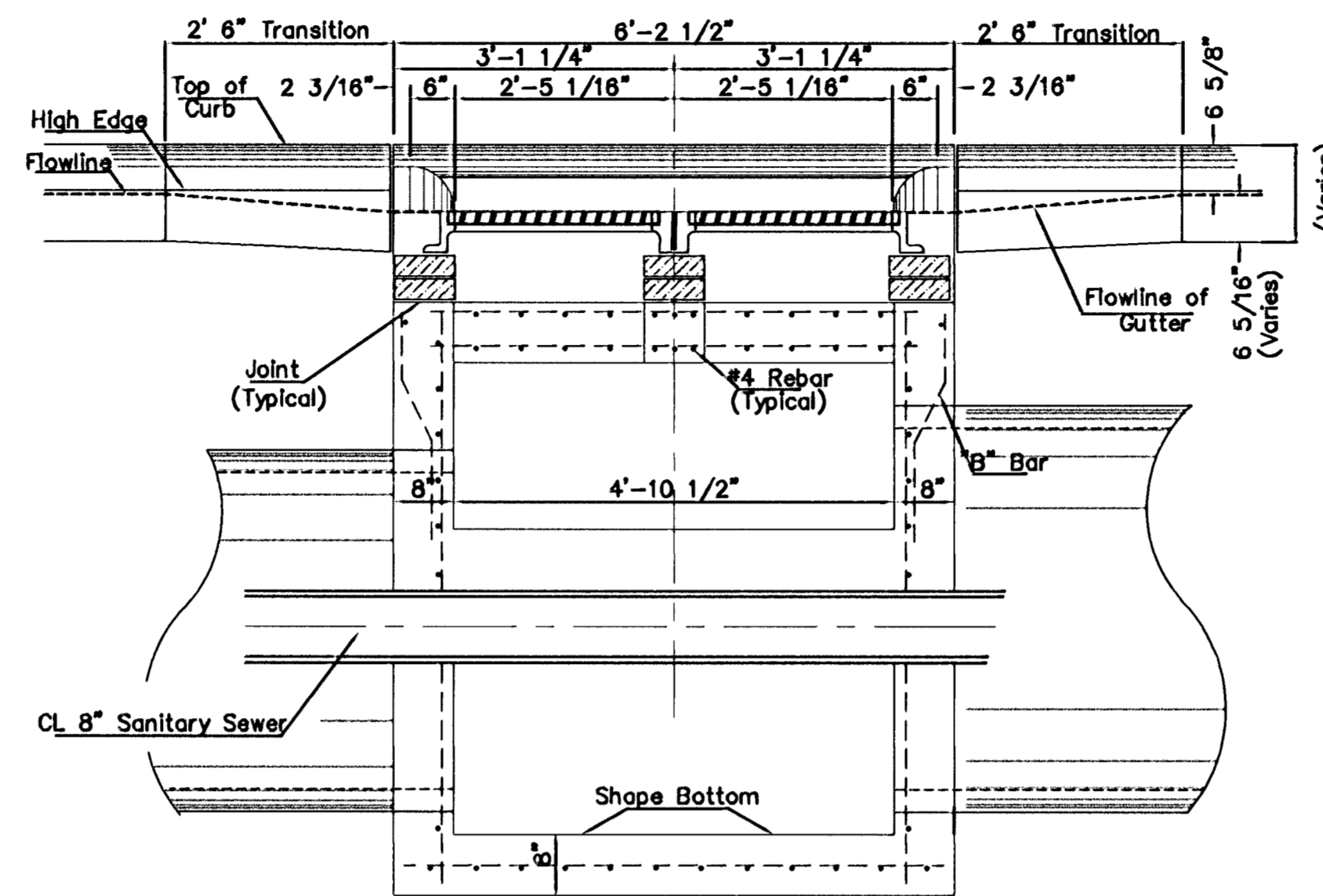
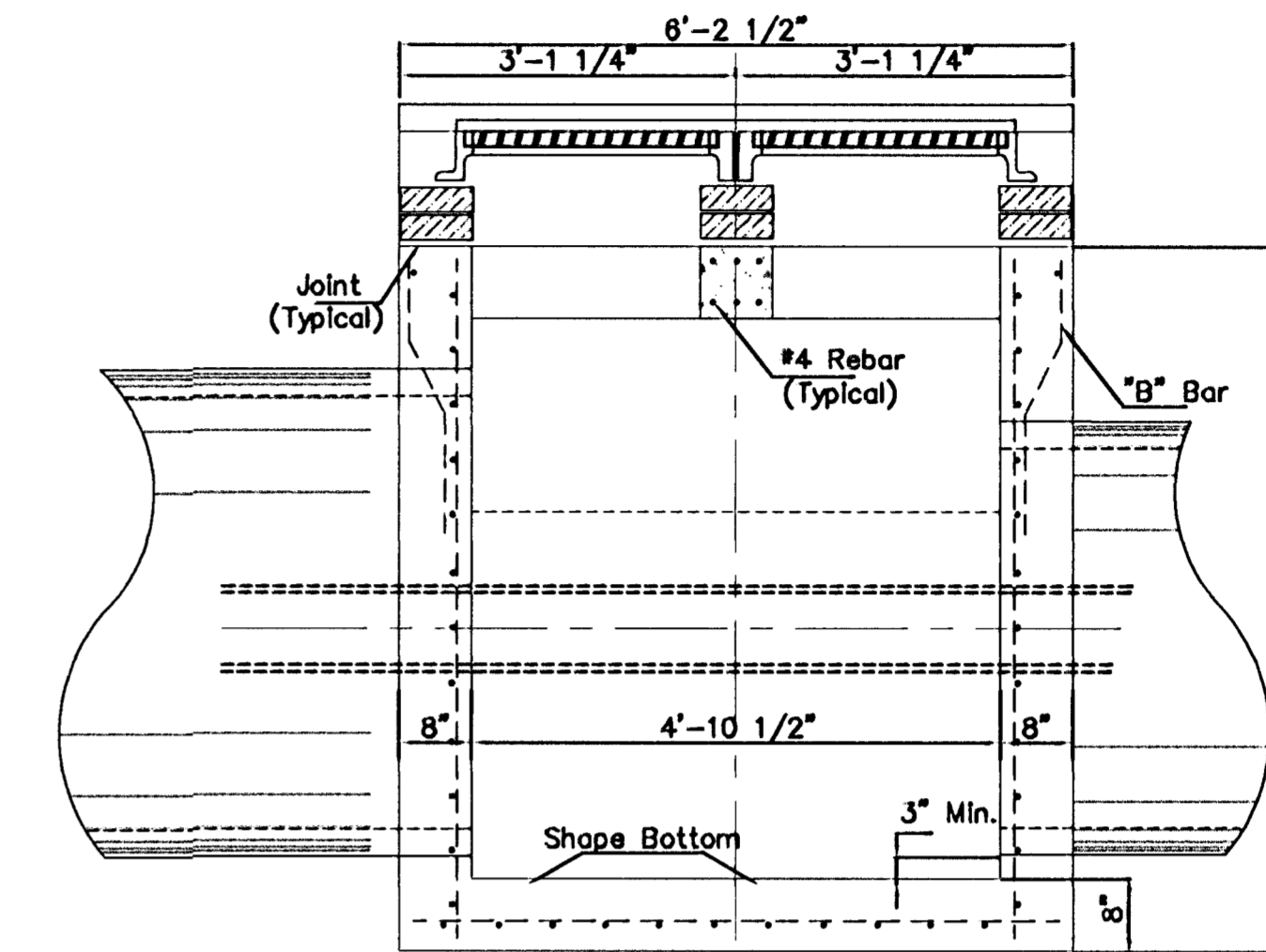


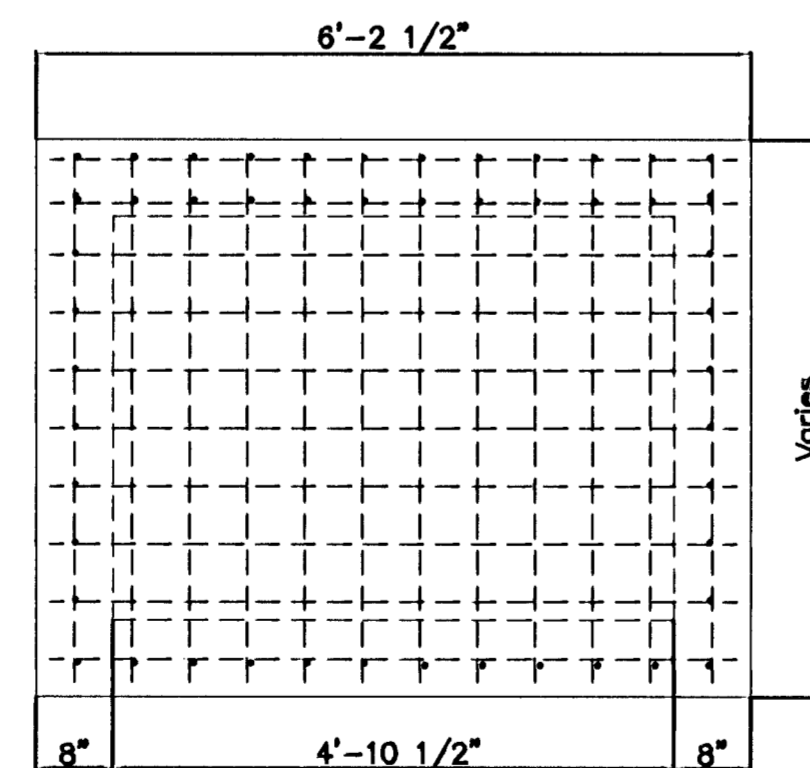
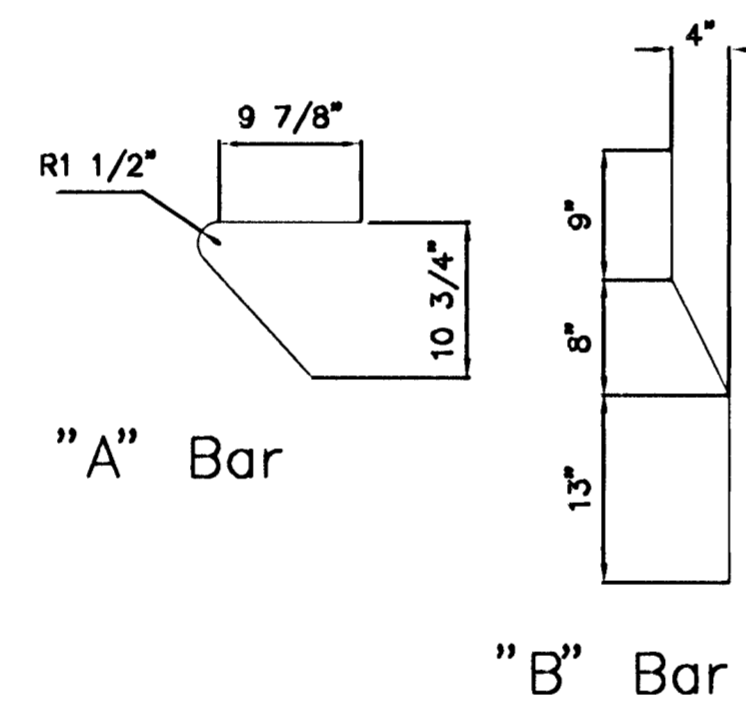
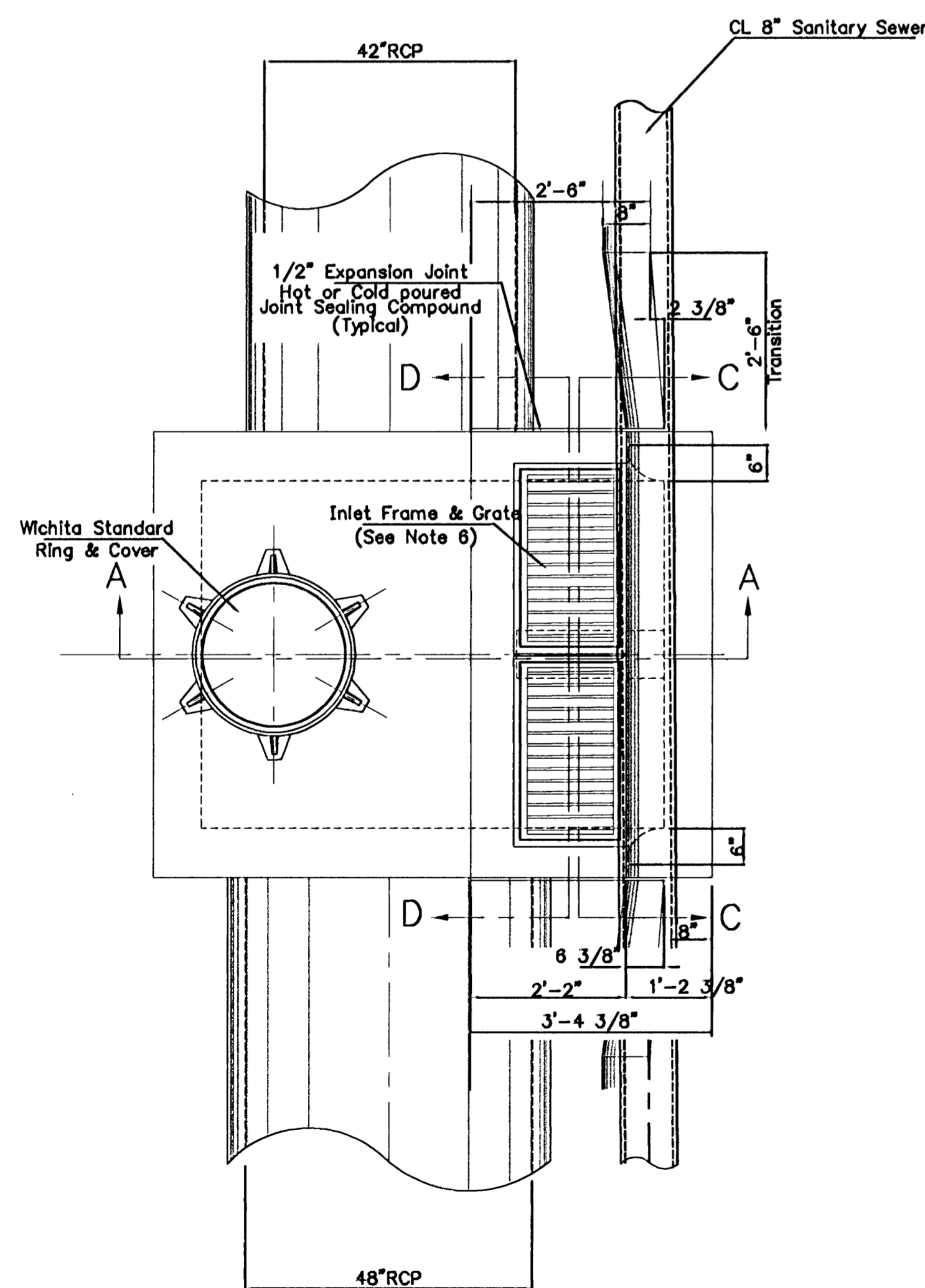
SECTION A-A



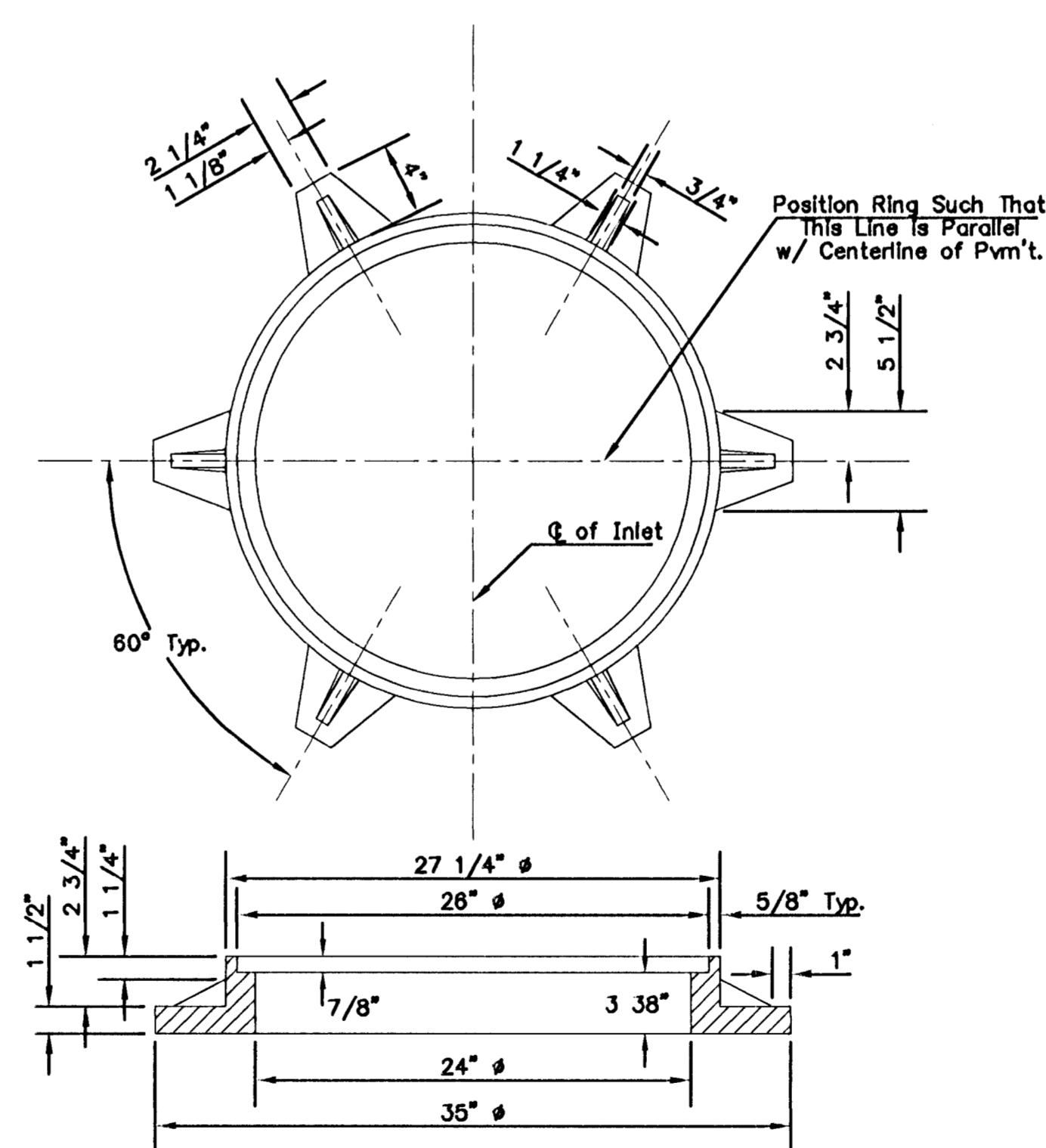
SECTION C-C



SECTION D-D



REAR WALL



MANHOLE RING AND COVER

Inlet Frame Weight = 180 lbs
 *See City of Wichita Standard Manhole Ring and Cover Detail Sheet for Cover Details to Be Used With Inlet Frame.

General Notes

1. Use the concrete mix specified for the City of Wichita concrete pavement throughout. All exposed edges shall be finished with an edging tool. Reinforcing bars shall be bent around pipe.
2. Inlet invert shall be shaped with 8 sack mix concrete to create flow channels and to increase hydraulic efficiency such that the inlet will be self cleaning between all inlet and/or outlet pipes.
3. All bars are #4 with 6" spacing and shall have a minimum clearance of 1 1/2" inches unless otherwise noted on the plans.
4. No deductions will be made in pay length of curb, gutter, or curb and gutter through the inlet area.
5. Use Neenah R-3288 HV Inlet Frame w/ two piece Grate or approved equal. Inlet frame to be proof load tested to 40,000 lbs. on unsupported side.
6. Reinforcing bars shall be cut or bent around pipes. No deduction in concrete quantities shall be made for pipe openings.
7. The vanes of the grate shall be oriented with respect to the flow arrows shown on the plans.
8. Around manhole opening in top slab use #5 bar @ 45° angle to other bars. Length = MH opening + 2'0"

Redrawn Jan.1992

DETAIL SPECIAL TYPE 2 CURB INLET
 CITY OF WICHITA, KANSAS
 INLET OPENINGS = 8" x 4'-10 1/8"
 January, 1987

PROJECT NUMBER
 468-82138 & 472-82668

SHEET OF
 19 | 38

BAUGHMAN COMPANY P.A.
 ENGINEERING & SURVEYING
 316/262-7271 • 316 ELLIS • WICHITA, KANSAS 67211