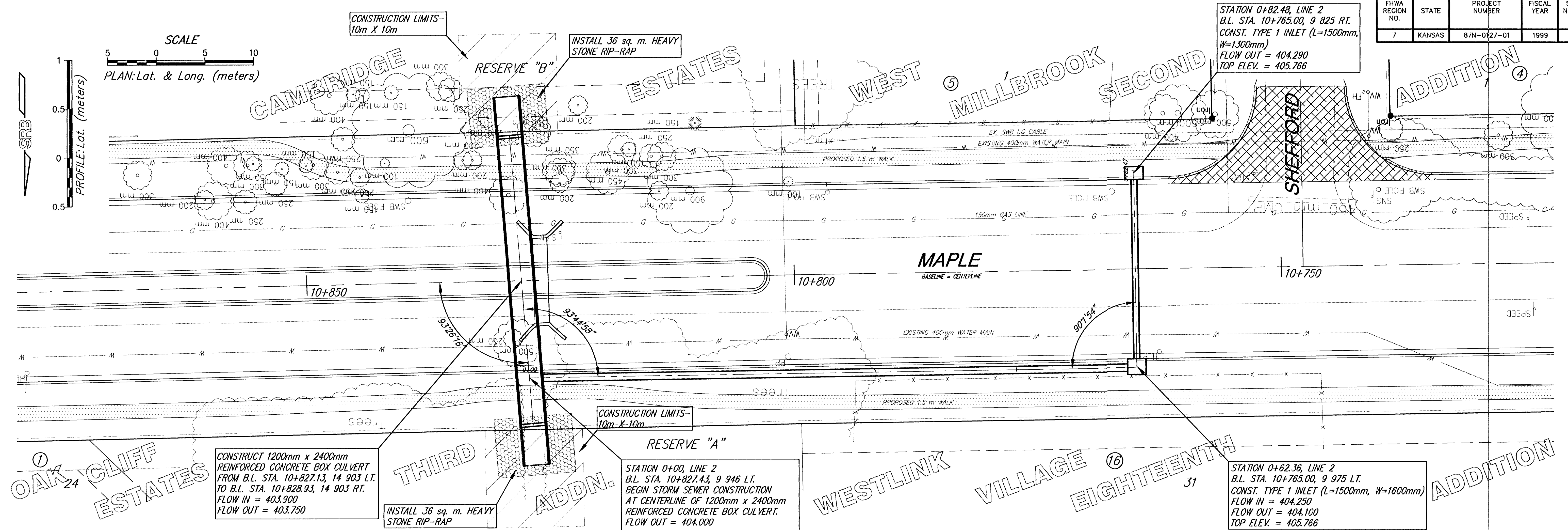
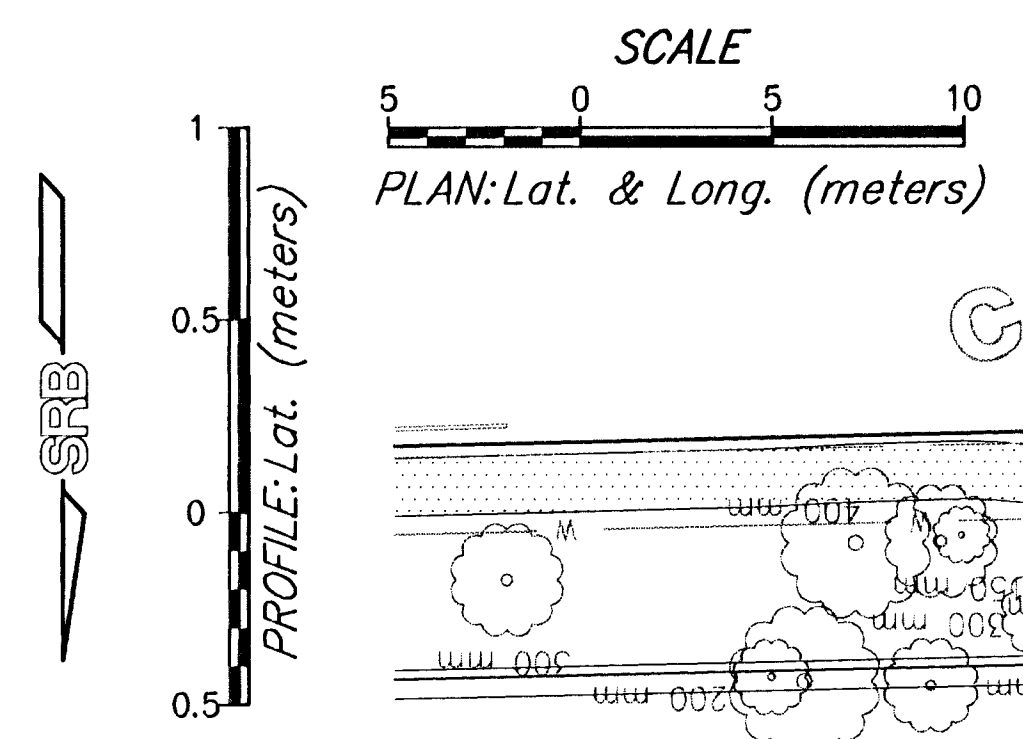


FHWA REGION NO.	STATE	PROJECT NUMBER	FISCAL YEAR	SHEET NUMBER	TOTAL SHEETS
7	KANSAS	87N-0127-01	1999	33	90

BY	DATE

REFERENCES NOTED	REFERENCES CHECKED

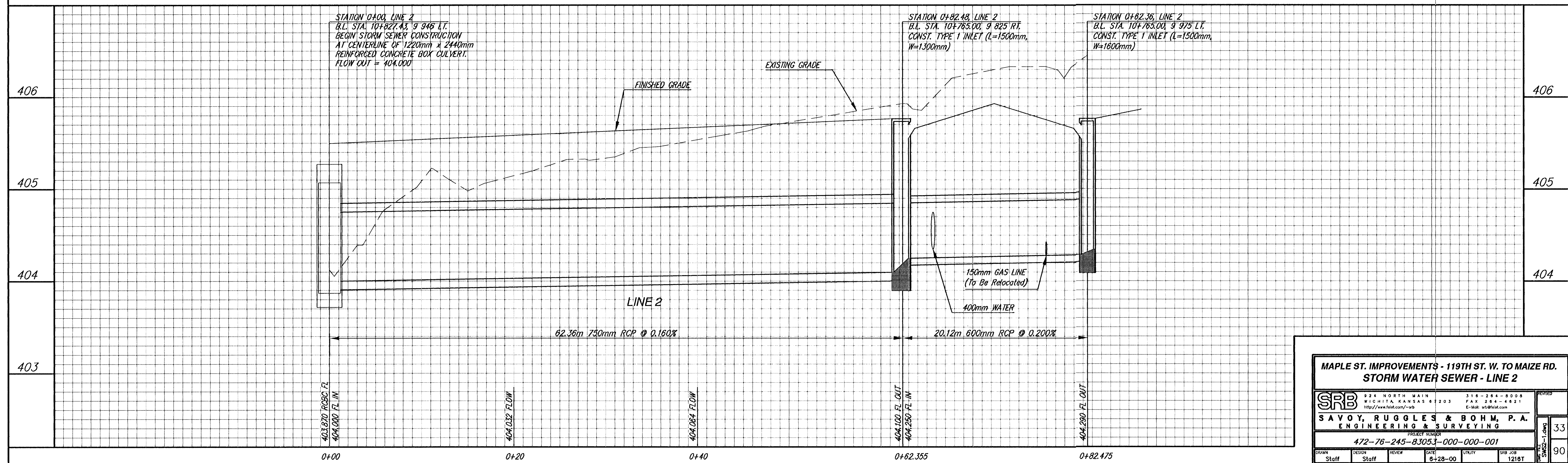


STATION 0+82.48, LINE 2  
 B.L. STA. 10+765.00, 9 825 RT.  
 CONST. TYPE 1 INLET (L=1500mm, W=1300mm)  
 FLOW OUT = 404.290  
 TOP ELEV. = 405.766

CONSTRUCT 1200mm x 2400mm REINFORCED CONCRETE BOX CULVERT FROM B.L. STA. 10+827.13, 14 903 LT. TO B.L. STA. 10+828.93, 14 903 RT. FLOW IN = 403.900 FLOW OUT = 403.750

STATION 0+00, LINE 2  
 B.L. STA. 10+827.43, 9 946 LT.  
 BEGIN STORM SEWER CONSTRUCTION AT CENTERLINE OF 1200mm x 2400mm REINFORCED CONCRETE BOX CULVERT. FLOW OUT = 404.000

STATION 0+62.36, LINE 2  
 B.L. STA. 10+765.00, 9 975 LT.  
 CONST. TYPE 1 INLET (L=1500mm, W=1600mm)  
 FLOW IN = 404.250  
 FLOW OUT = 404.100  
 TOP ELEV. = 405.766



**MAPLE ST. IMPROVEMENTS - 119TH ST. W. TO MAIZE RD. STORM WATER SEWER - LINE 2**

**SRB** 924 NORTH MAIN WICHITA, KANSAS 67203  
 316-264-8008 FAX 264-4821  
 http://www.srb.com/~srb E-Mail: srbsrb.com

**SAVOY, RUGGLES & BOHM, P. A.**  
 ENGINEERING & SURVEYING

PROJECT NUMBER: 472-76-245-83053-000-000-001

DATE: 8-28-00

STAFF: Staff

REVISIONS: 1218T

SHEET: 33 OF 90