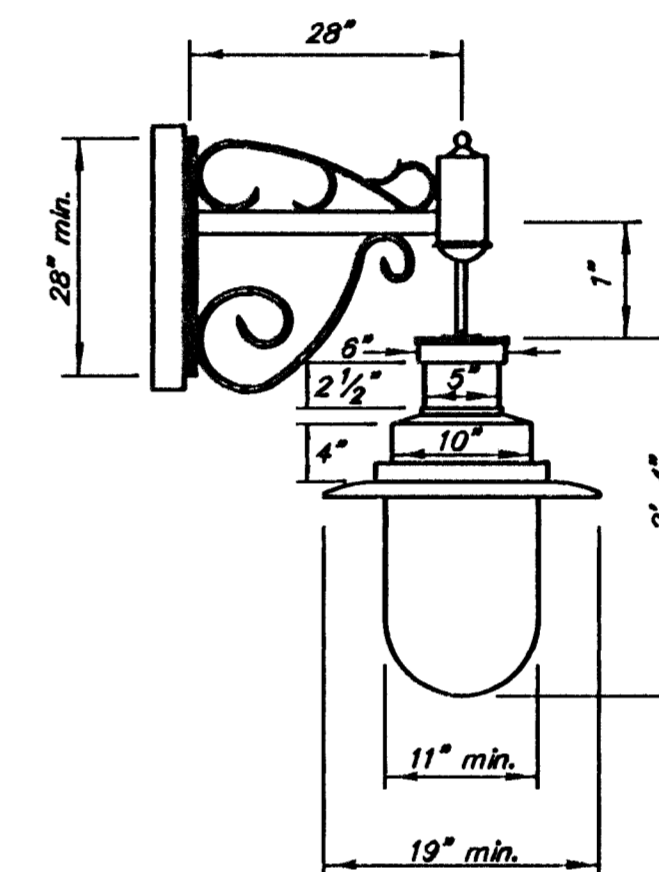
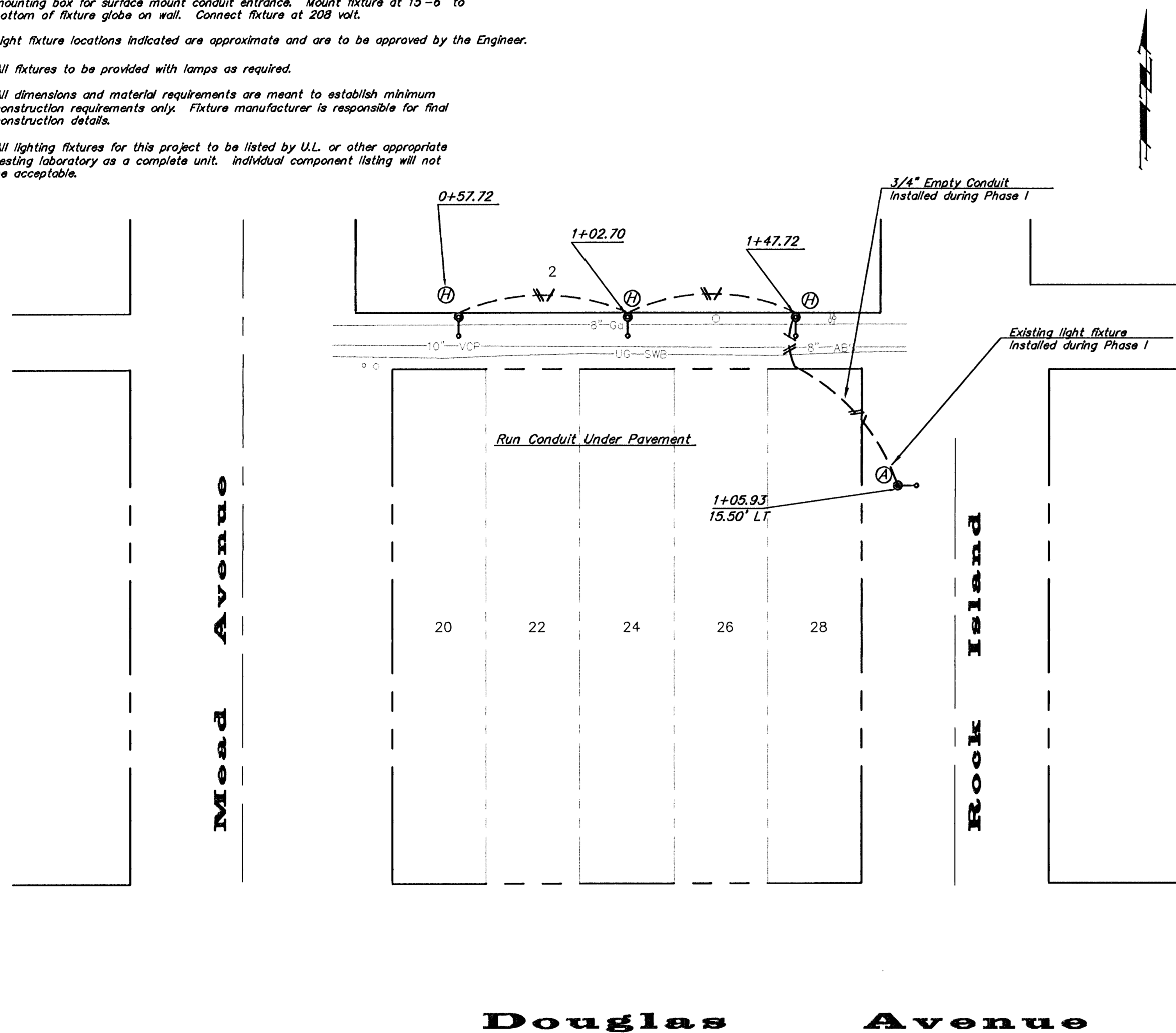


**NOTES:**

1. All Conductors to be type "THWN" copper - Minimum #12 AWG.
2. All conduits to be Sch 40 PVC - minimum 3/4" Size route minimum of 30" below finished grade.
3. All circuits to be provided with a full-length "green" grounded/bonding conduction. Connect to ground lug inside each light pole/fixture assembly.
4. Verify all service requirements with KG&E prior to bidding.
5. Light fixture "H" is to be 175 Watt Metal Halide, multi-tap ballast with 10% dr. white opaque acrylic lens. Fixture to be engineered to withstand 80 MPH winds with 1.2 gust factor. Light fixture to be Emery #fw1awbkmh175vwb-sva-wall box. Provide fixture with manufacturers surface mounting box for surface mount conduit entrance. Mount fixture at 15'-6" to bottom of fixture globe on wall. Connect fixture at 208 volt.
6. Light fixture locations indicated are approximate and are to be approved by the Engineer.
7. All fixtures to be provided with lamps as required.
8. All dimensions and material requirements are meant to establish minimum construction requirements only. Fixture manufacturer is responsible for final construction details.
9. All lighting fixtures for this project to be listed by U.L. or other appropriate testing laboratory as a complete unit. Individual component listing will not be acceptable.



Alley Light Fixture "H"

OLD TOWN STREET & ALLEY IMPROVEMENTS LIGHTING PLAN				
PROJECT NUMBER				SHEET
				4
DESIGN	DRAWN	UTIL. CHECK'D	DATE	SCALE
				OF 4