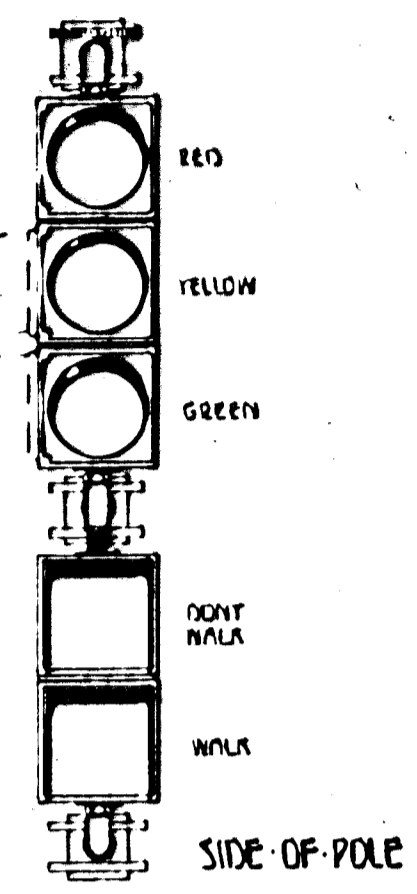
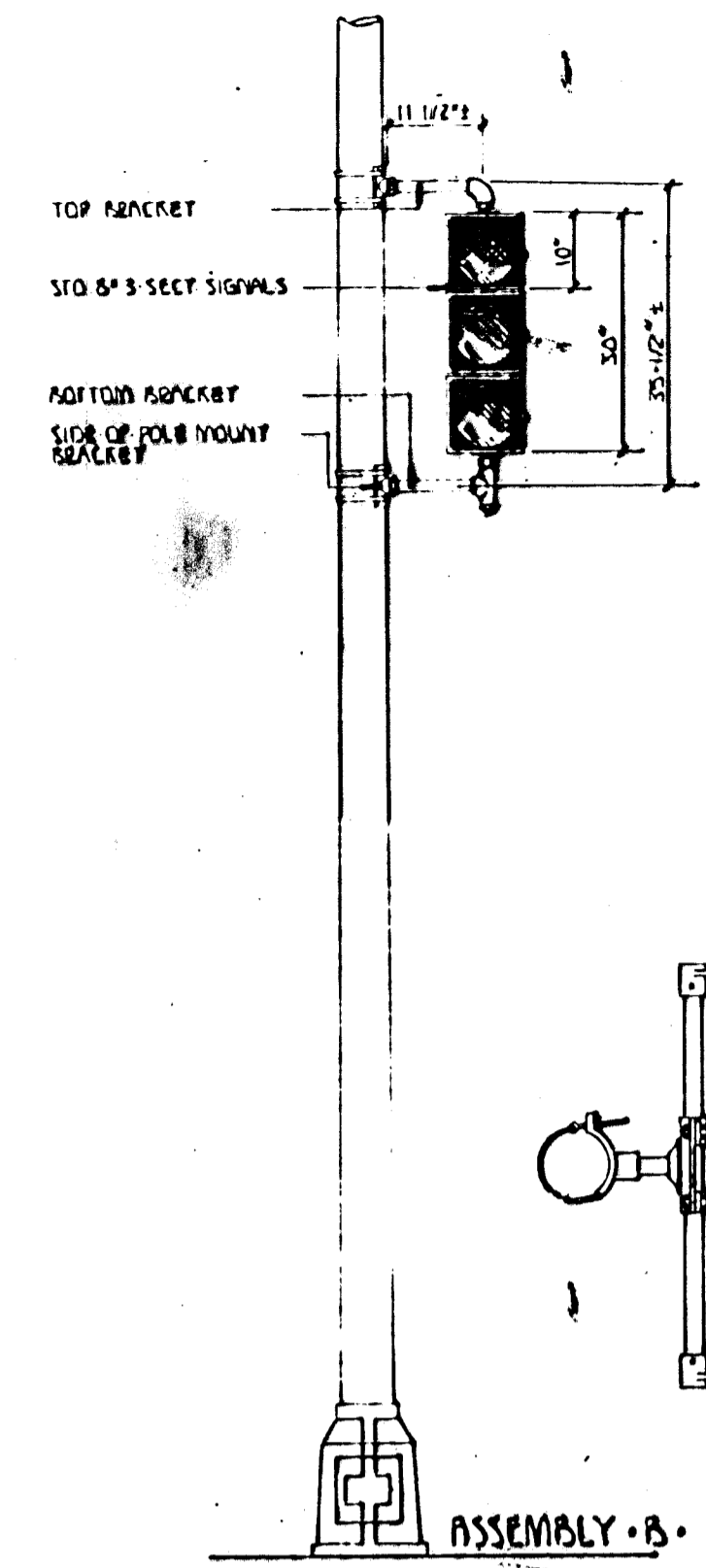


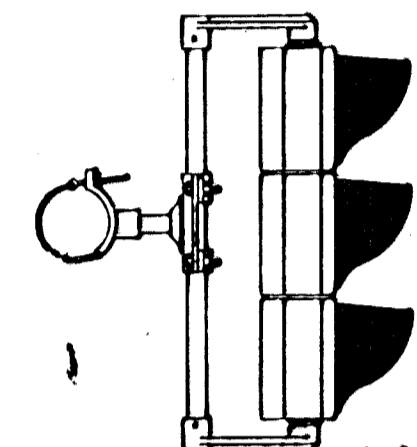
ASSEMBLY - A



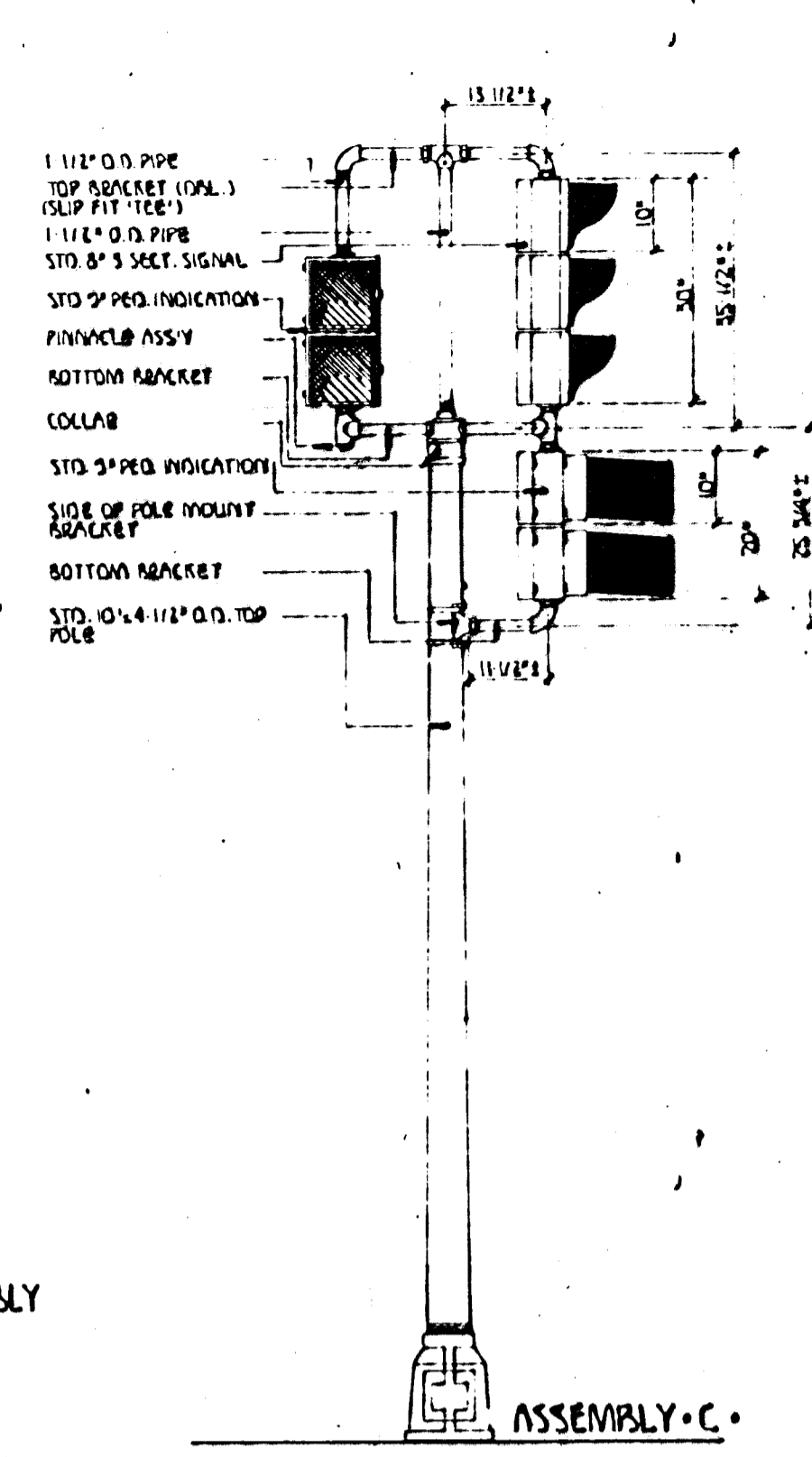
SIDE OF POLE



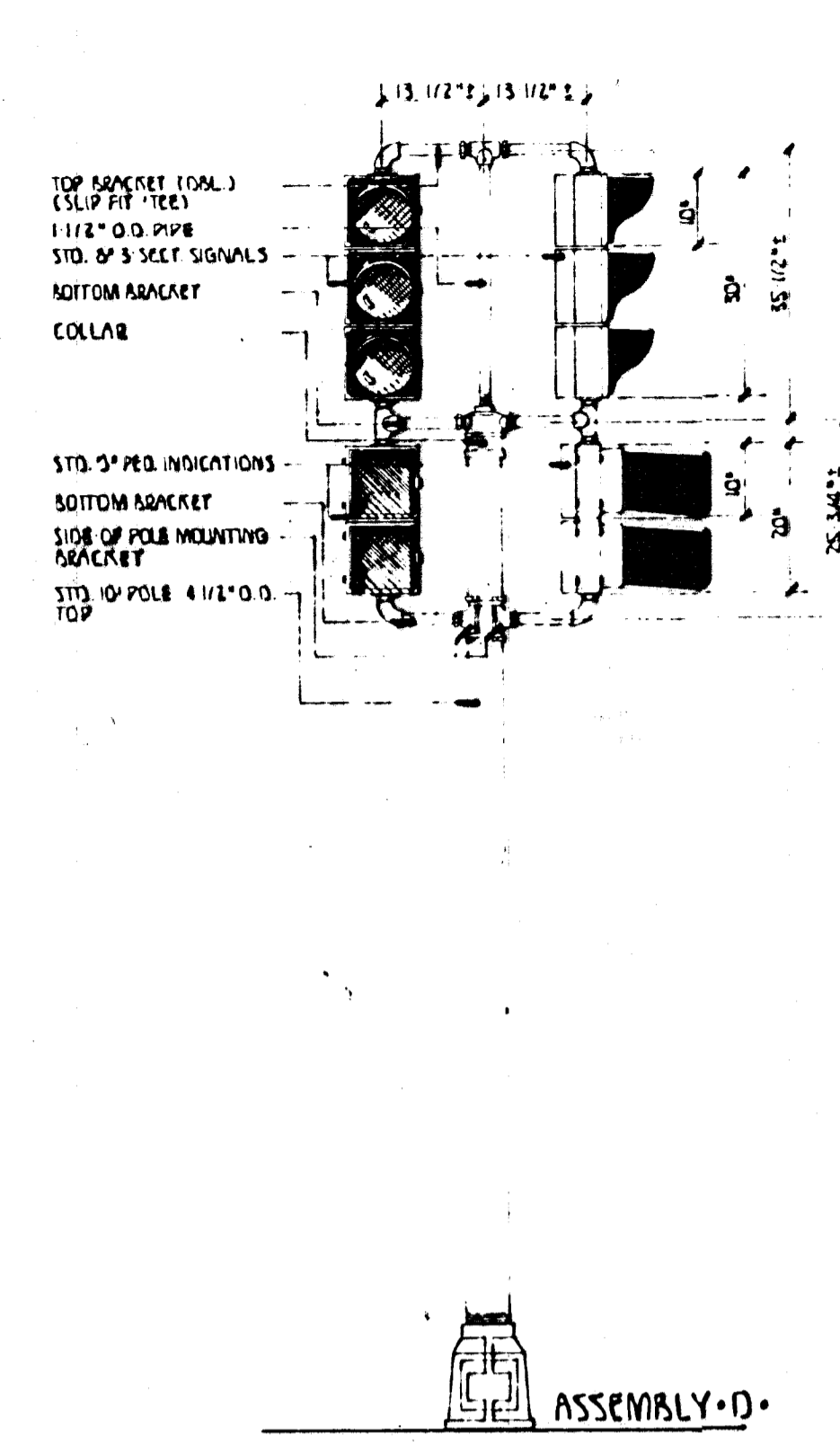
ASSEMBLY - B



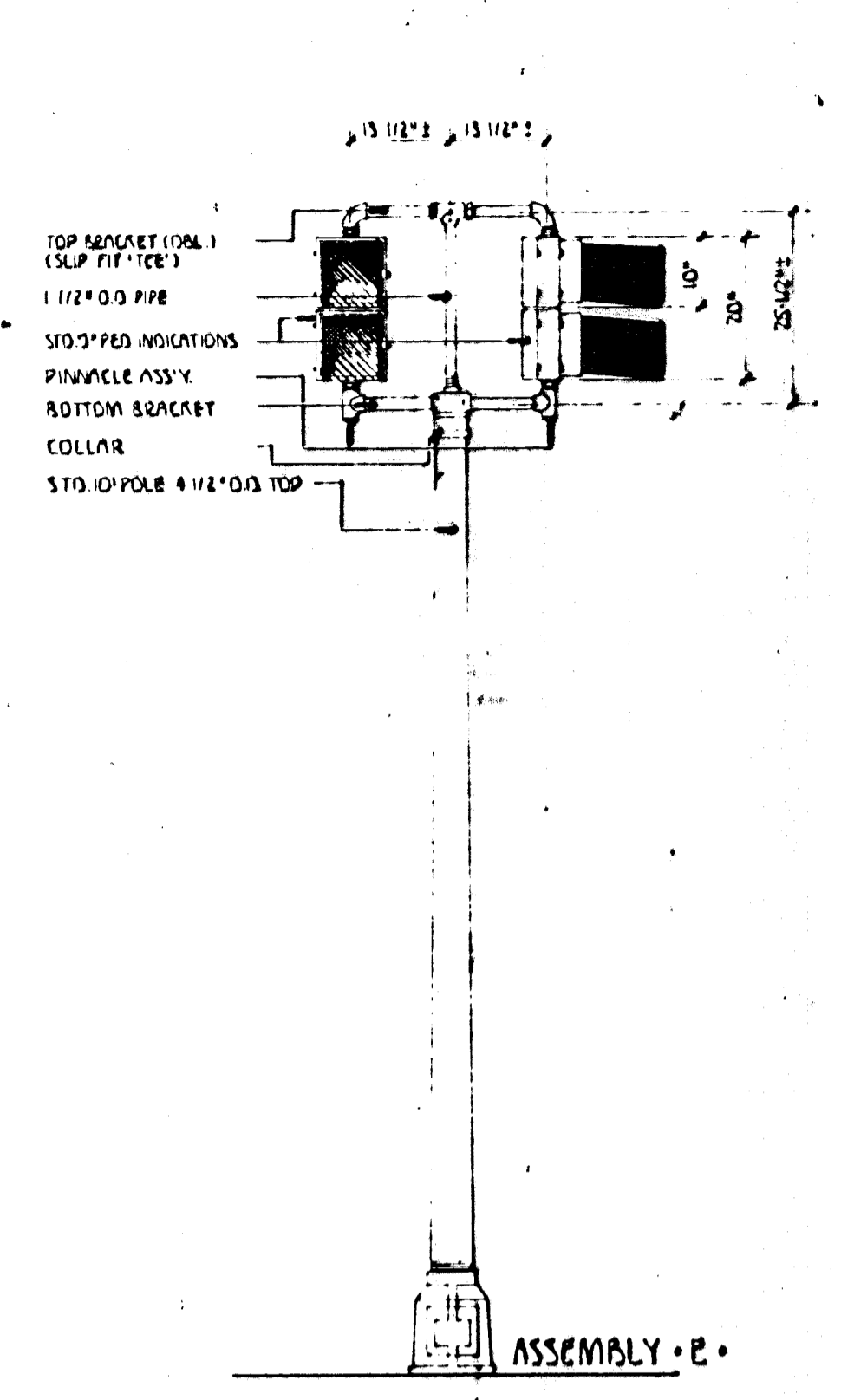
OVERHEAD ASSEMBLY



ASSEMBLY - C

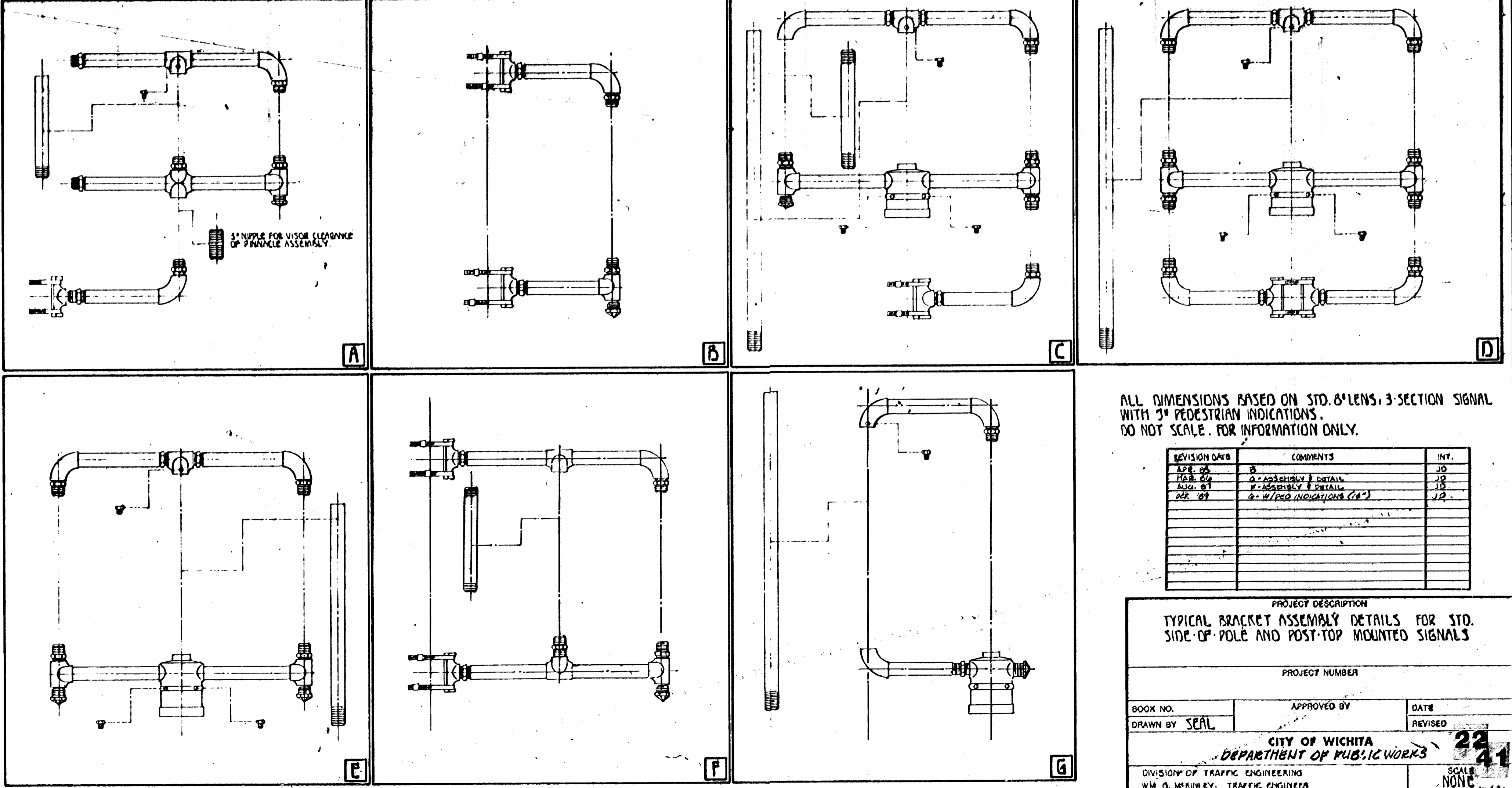


ASSEMBLY - D



ASSEMBLY - E

BRACKET DETAILS



ALL DIMENSIONS BASED ON STD. 8\"/>

REVISION DATE	COMMENTS	INT.
APR 08	B	JD
MAR 08	A - ASSEMBLY E DETAIL	JD
MAR 08	F - ASSEMBLY E DETAIL	JD
DEC 07	G - W/PED INDICATIONS (18)	JD

PROJECT DESCRIPTION
TYPICAL BRACKET ASSEMBLY DETAILS FOR STD. SIDE-OF-POLE AND POST-TOP MOUNTED SIGNALS

PROJECT NUMBER

BOOK NO. DRAWN BY SEAL APPROVED BY DATE REVISED

CITY OF WICHITA DEPARTMENT OF PUBLIC WORKS
DIVISION OF TRAFFIC ENGINEERING WM G. WAINLEY, TRAFFIC ENGINEER
SCALE NONE

2241