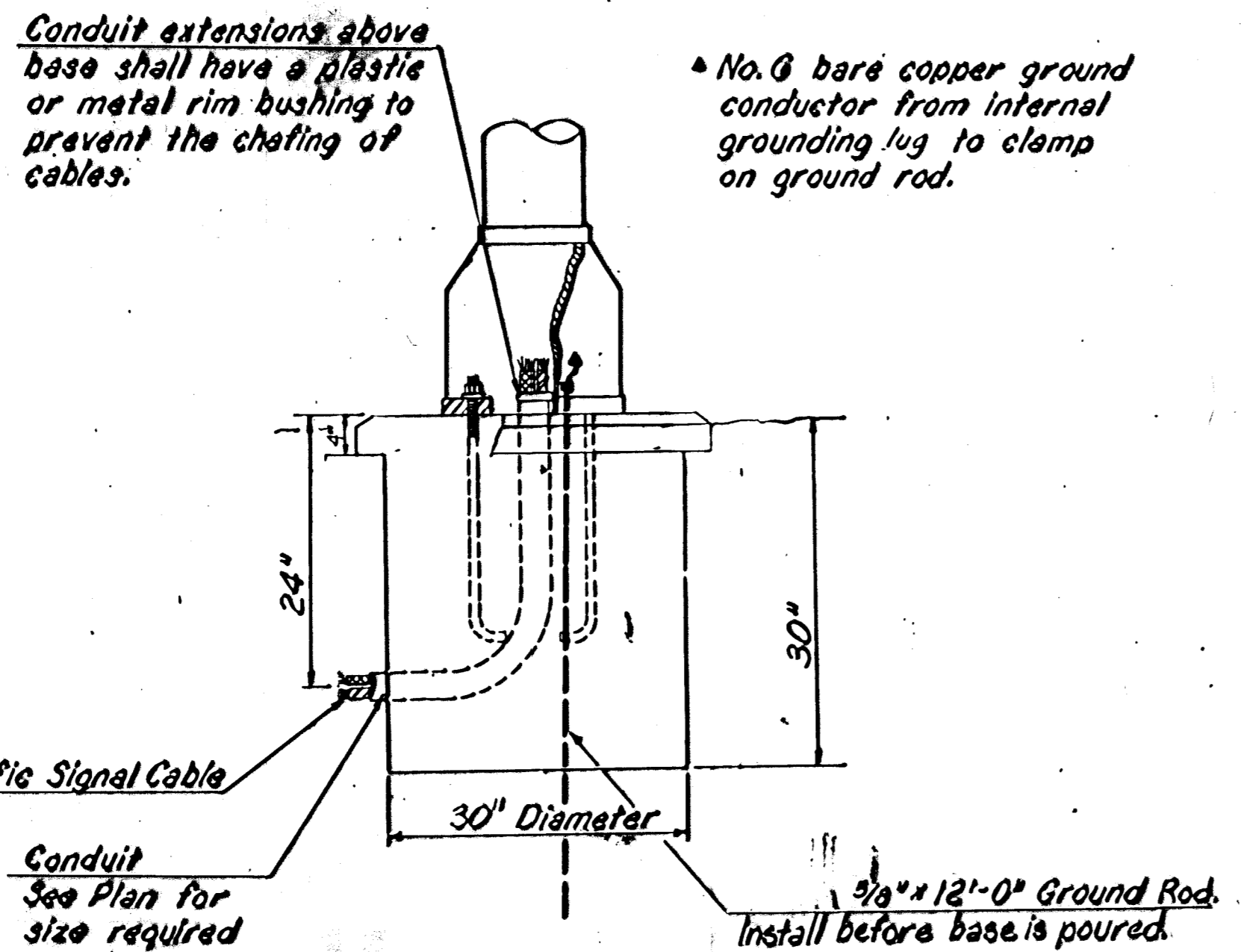
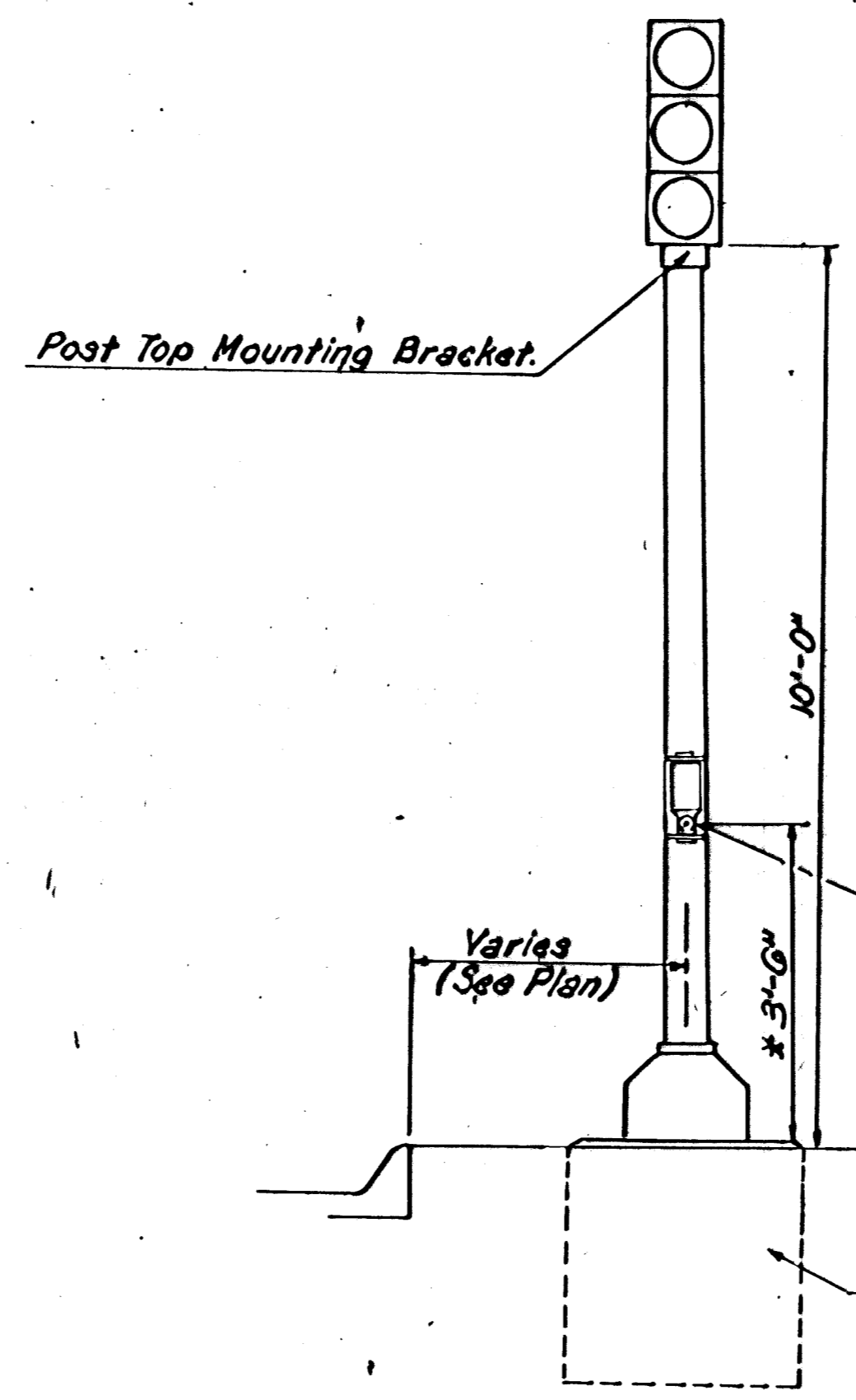


**ANCHOR BOLT
DETAIL**

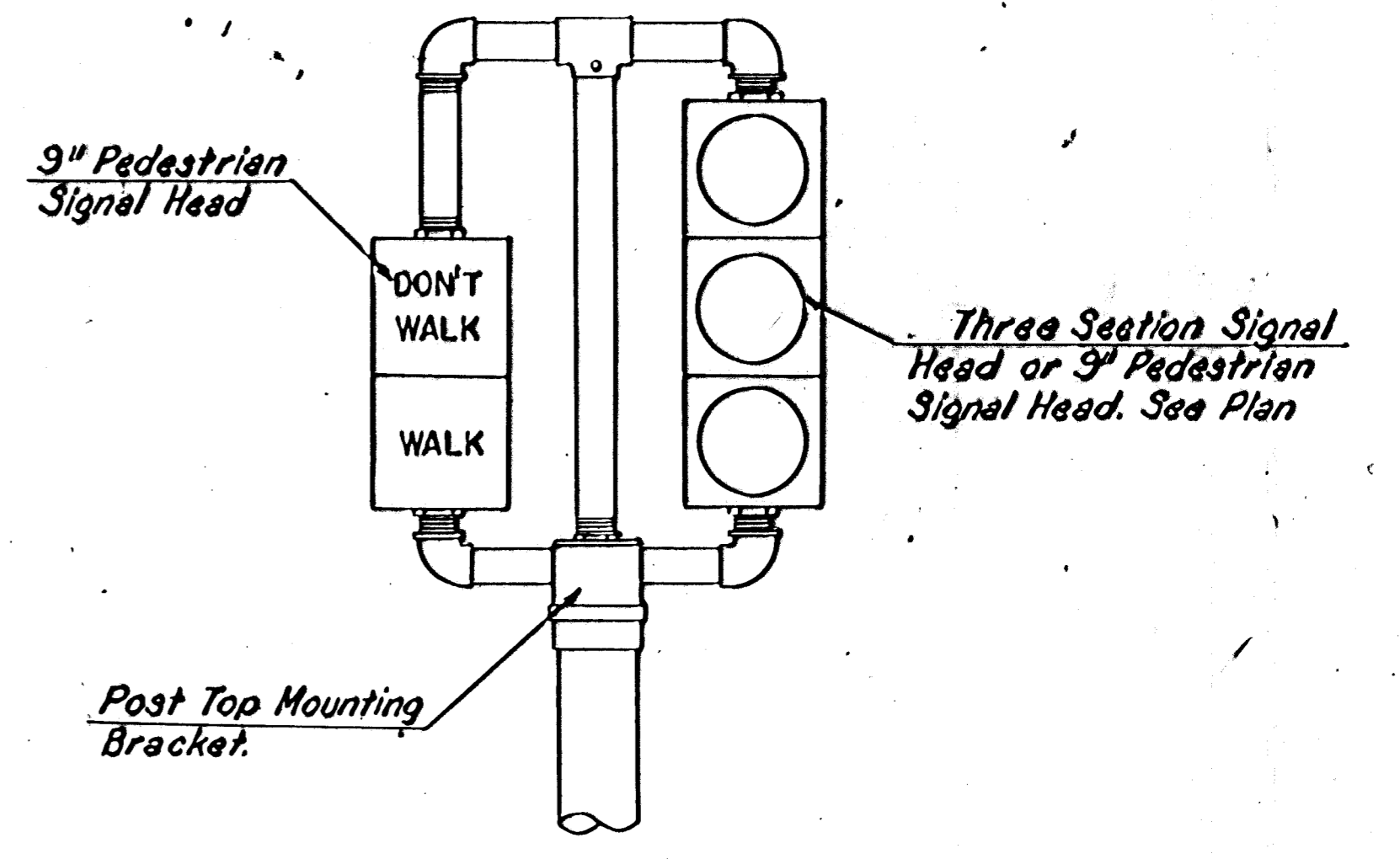


CONCRETE BASE DETAILS

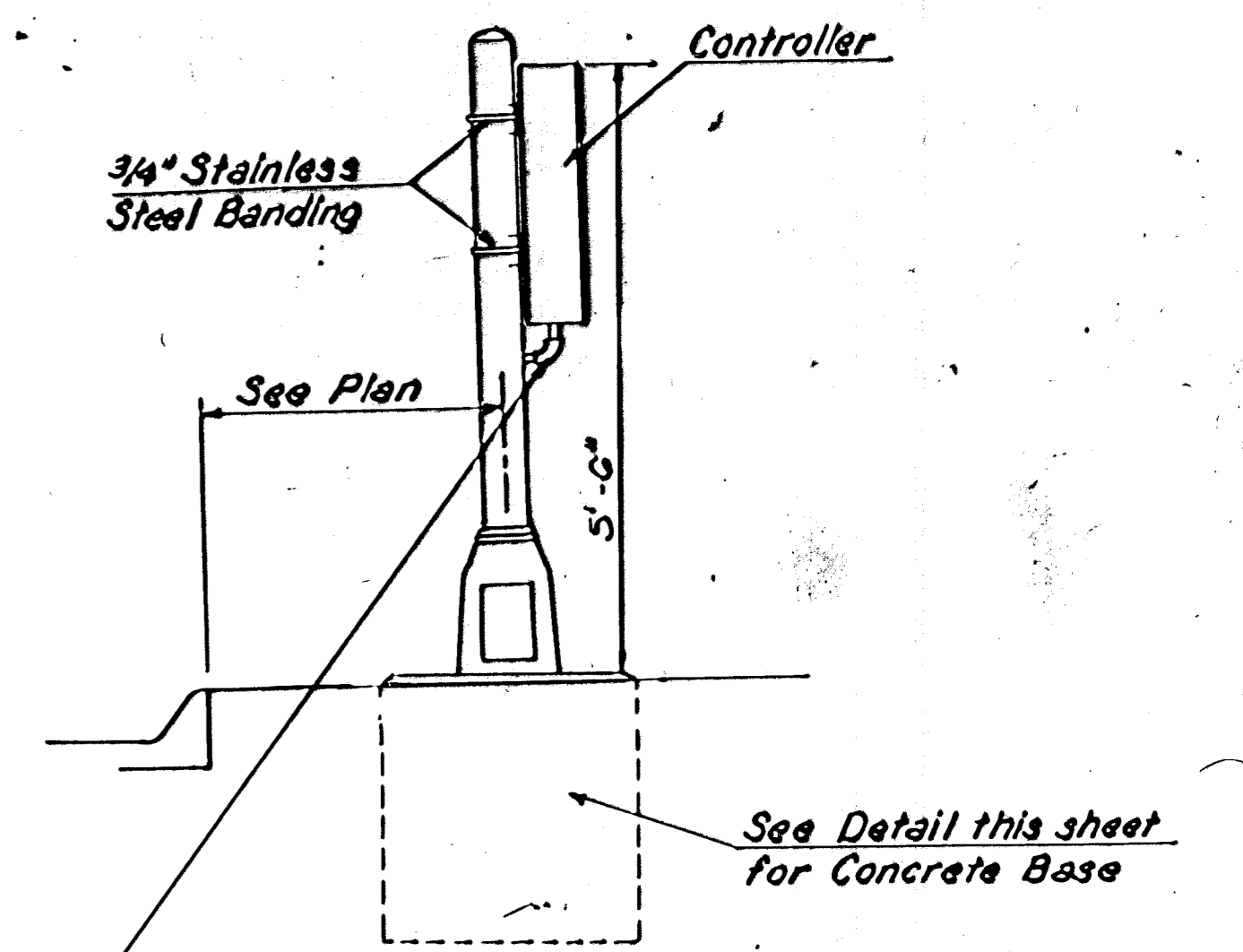
Use Keystone "No-Weld Number 1 Anti-Seize Compound" on all bolts & nuts.



TRAFFIC SIGNAL PEDESTAL



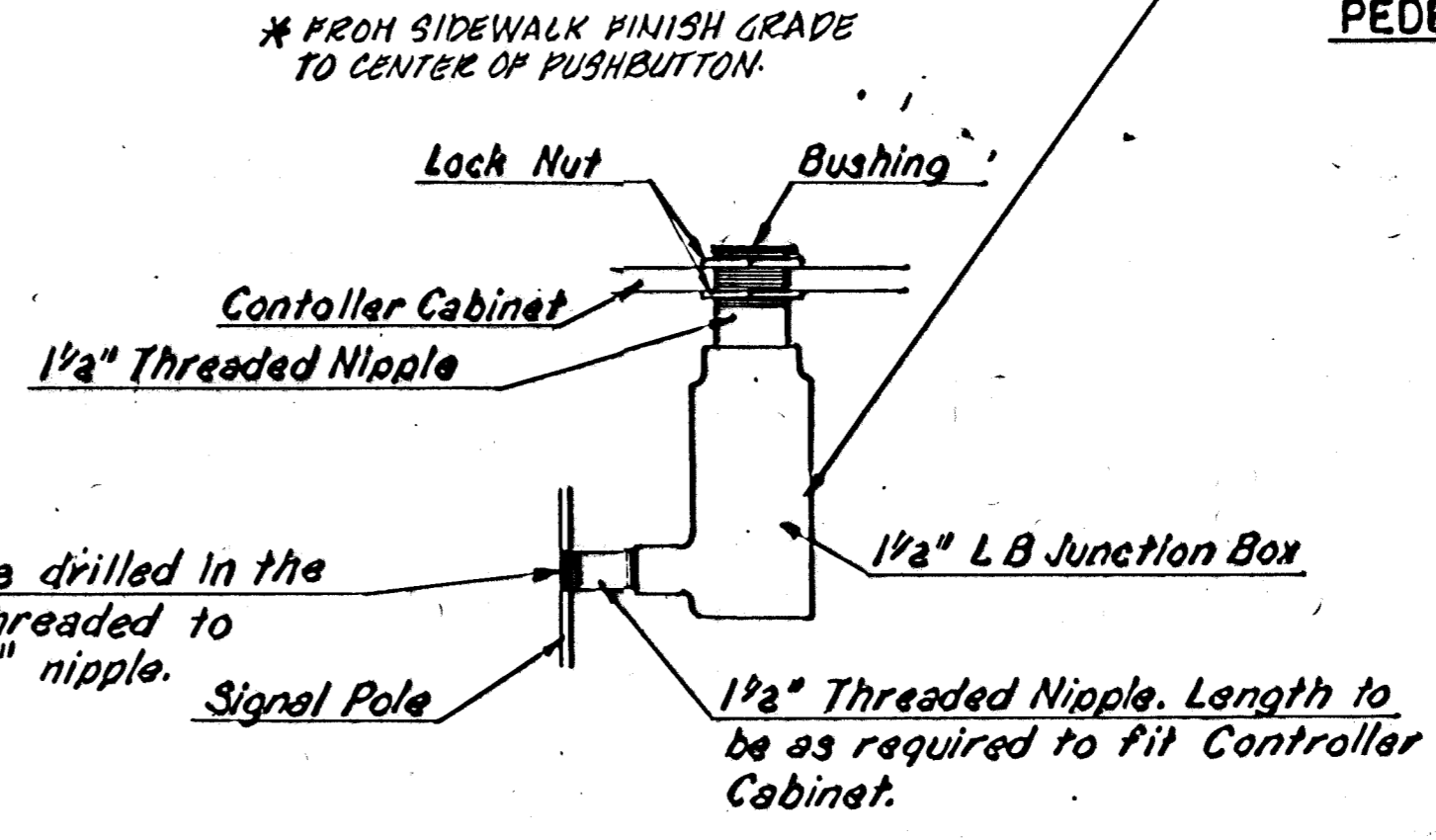
DETAIL A



PEDESTAL MOUNTED CONTROLLER



The Pedestrian Pushbutton/Sign Unit shall be firmly attached to the side of pole with 3/4" steel bands. Sharp ends shall be folded under to prevent injury to pedestrians.



TRAFFIC SIGNAL PEDESTAL & CONCRETE BASE DETAILS

REV	DATE	COMMENTS	BY