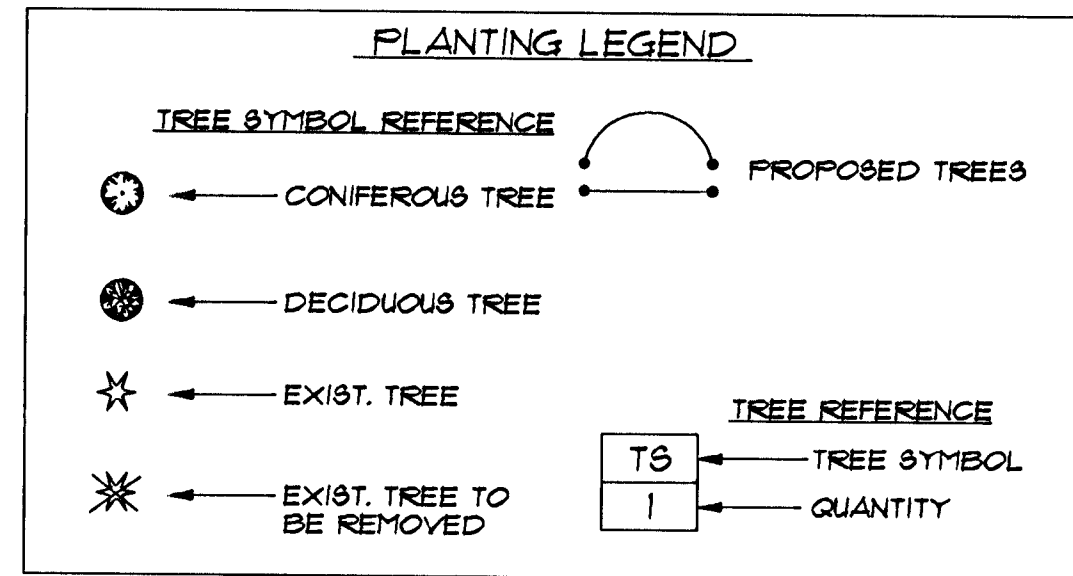
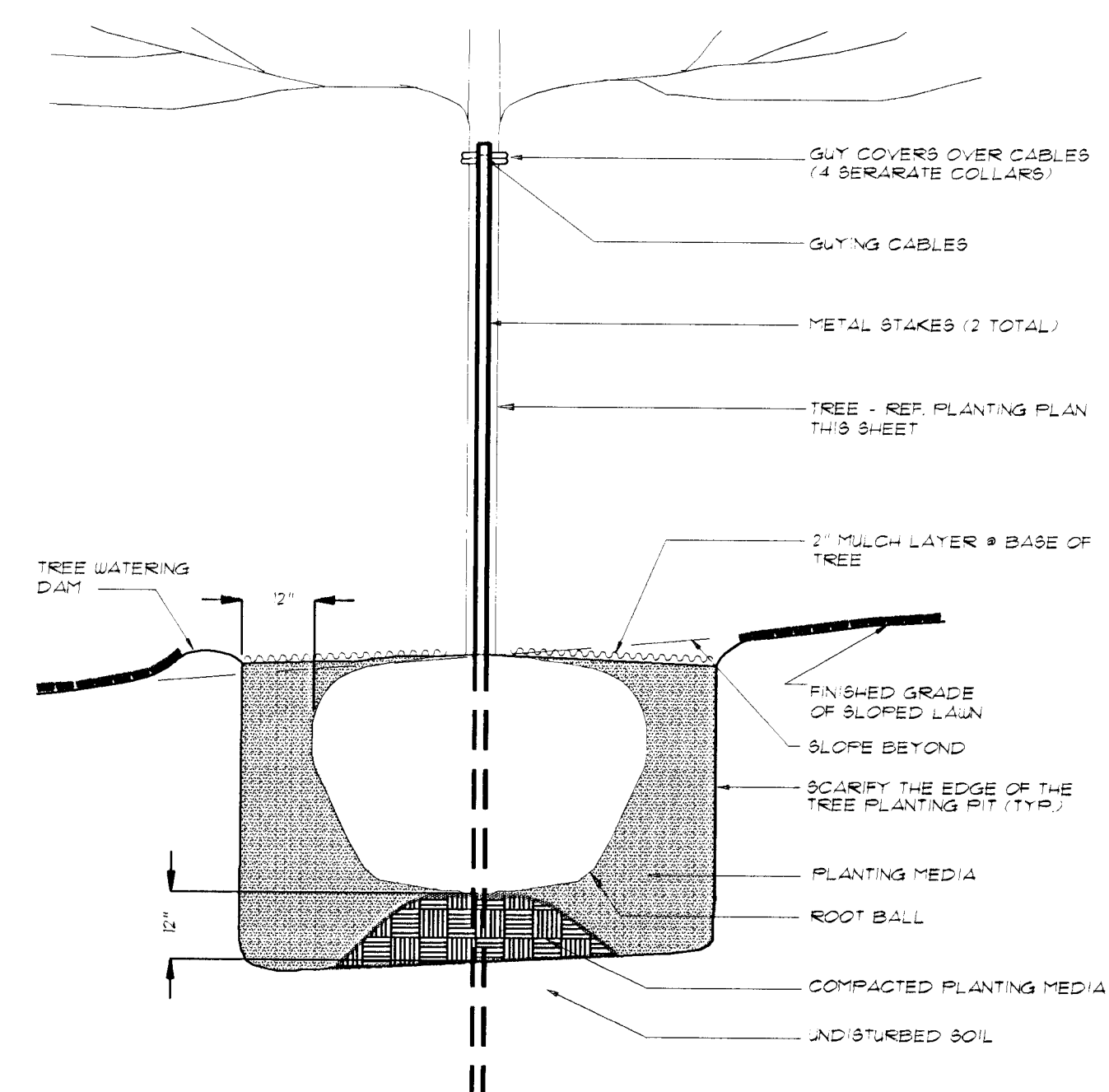
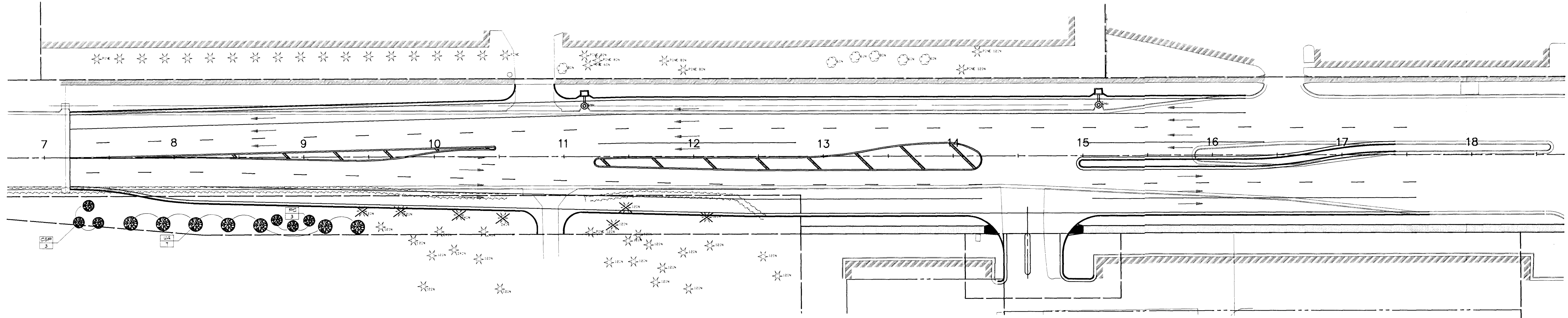
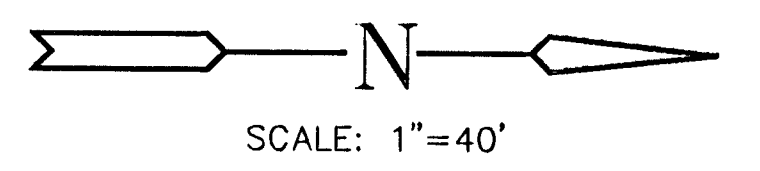


PLANT MATERIAL SCHEDULE							
SYMBOL	QTY.	BOTANICAL NAME/ COMMON NAME	SIZE/CAL.	HEIGHT	SPREAD	ROOT	REMARKS
Trees							
C&P	3	-----/ Cleveland Select Pears	2"	---	---	B & B --"W x --"D	Full, Matched, Specimens
UA	7	Fraxinus Pennsylvanica Urbanite/Urbanite Ash	4"	17' - 19'	10' - 12'	B & B 48"W x 30"D	Full, Matched, Specimens
PC	3	-----/ Profusion Crabapples	2"	---	---	B & B --"W x --"D	Full, Matched, Specimens

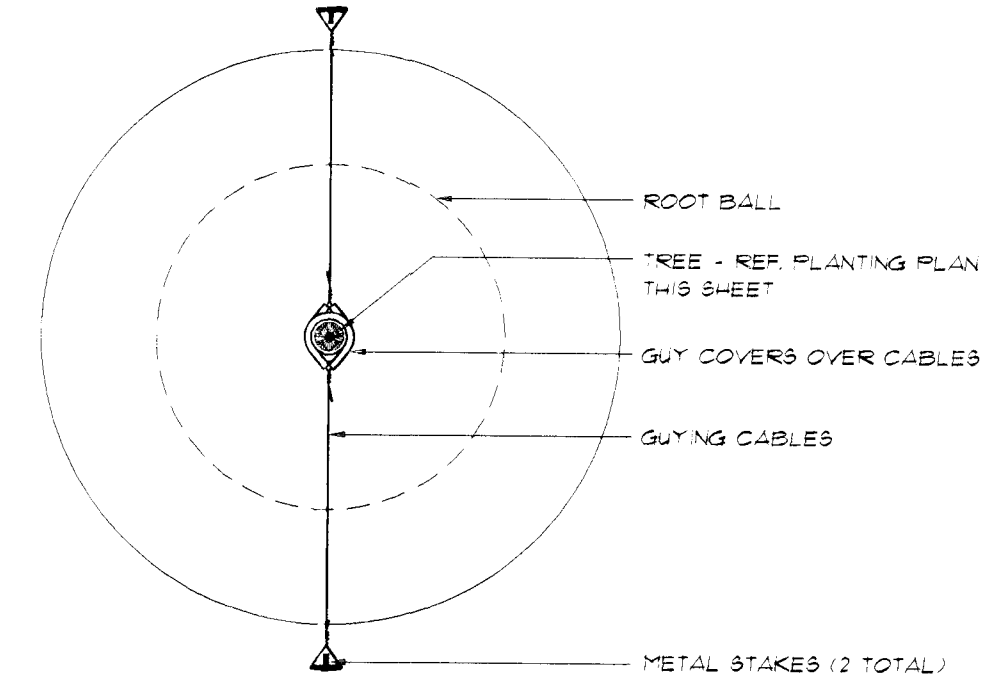


PLANTING NOTES:

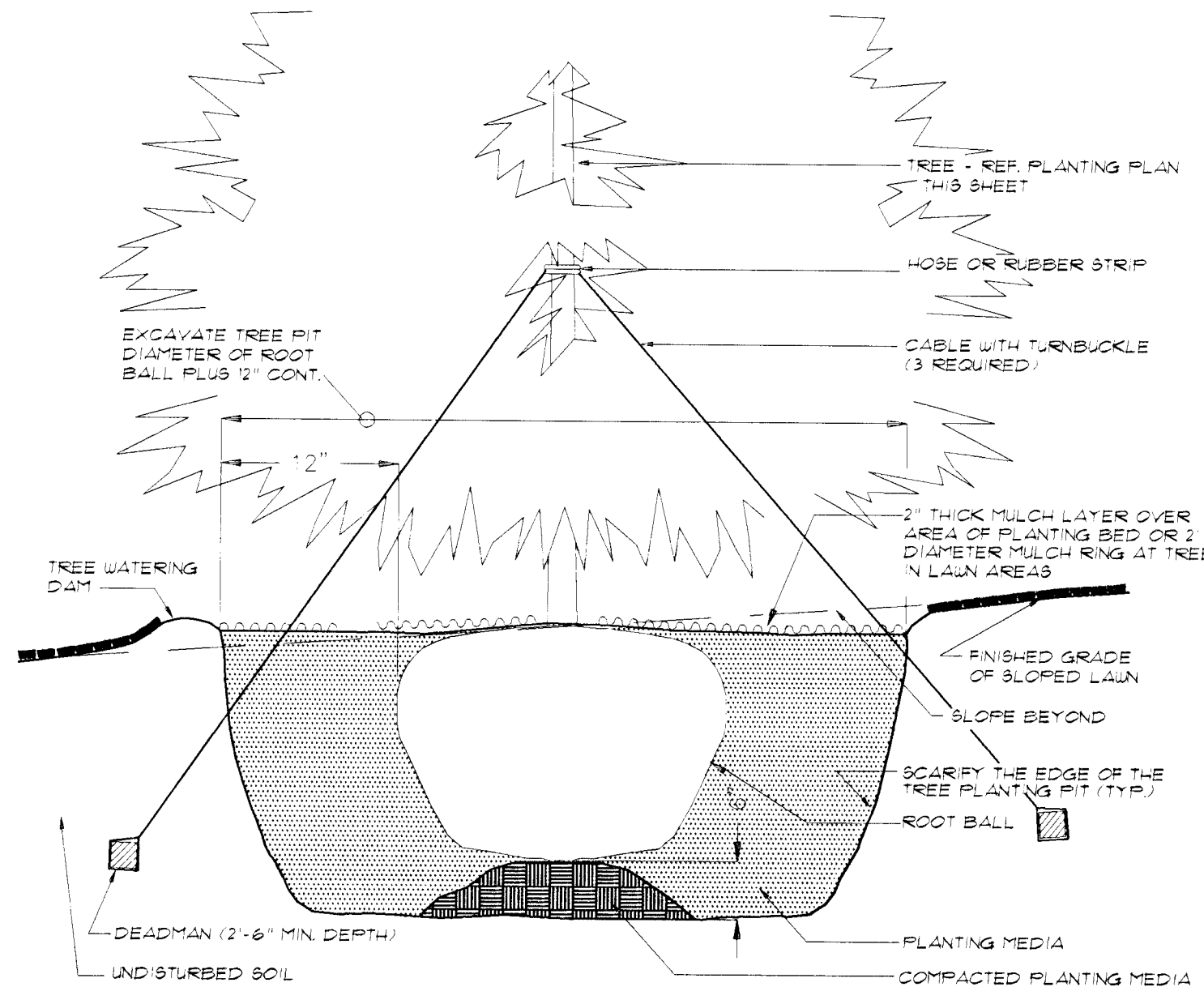
- CONTRACTOR IS RESPONSIBLE FOR VERIFYING LOCATION OF UNDERGROUND UTILITIES PRIOR TO CONSTRUCTION.
- IT IS THE RESPONSIBILITY OF THE CONTRACTOR TO ADVISE THE CITY ENGINEER OF ANY CONDITION FOUND ON-SITE WHICH PROHIBITS INSTALLATION AS SHOWN ON THESE DRAWINGS.



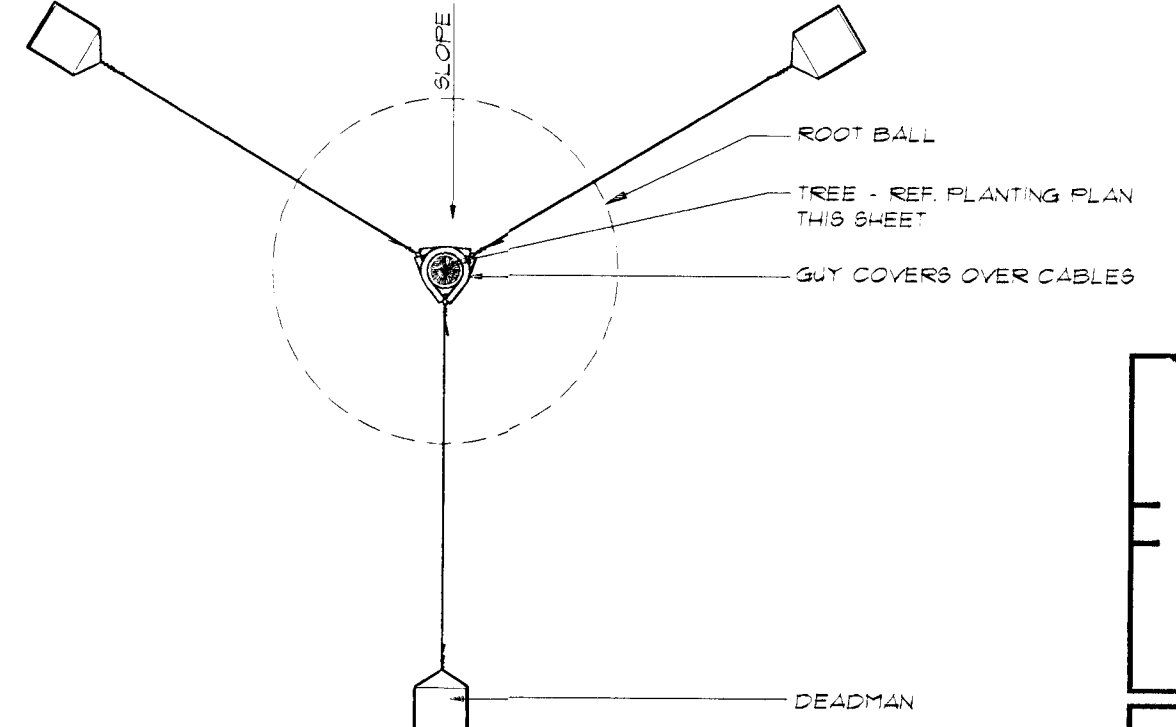
1 DECIDUOUS TREE PLANTING DETAIL - SECTION
NO SCALE



2 DECIDUOUS TREE PLANTING DETAIL - PLAN
NO SCALE



3 CONIFEROUS TREE PLANTING DETAIL - PLAN
NO SCALE



4 CONIFEROUS TREE PLANTING DETAIL - PLAN
NO SCALE

	BRADLEY FAIR NORTH ROCK ROAD	Design JTC
	DETAILS & LOCATIONS FOR LANDSCAPING	Drawn by JTC
MID-KANSAS ENGINEERING CONSULTANTS, INC. 3500 N. ROCK ROAD #800 WICHITA, KANSAS 67226		Checked by GJA
PH. 636-5566		Date JUNE/94
Job no. 9392LAND		Sheet 10
of 12		