

① Seed with Annual Rye at the rate of 4 lbs./1000 S.F.
Mulch with Hay at the rate of 30 lbs./1000 S.F.

SEDIMENT CONTROL
CURB AND GUTTER STREET SECTION

- GENERAL NOTES**
1. SEDIMENT BARRIERS SHALL BE INSTALLED AT LOCATIONS SHOWN ON THE PLANS OR AS DIRECTED BY THE ENGINEER. ADDITIONAL SEDIMENT BARRIERS WILL BE INSTALLED AT LOCATIONS AS DIRECTED BY THE ENGINEER WITH NO ADJUSTMENT IN UNIT PRICE.
 2. SEDIMENT BARRIERS SHALL BE ERECTED PRIOR TO THE COMMENCEMENT OF EARTHWORK OPERATIONS IN A GIVEN BASIN. REMOVAL AND DISPOSAL OF ACCUMULATED SILT AND DEBRIS AND/OR REMOVAL AND RECONSTRUCTION OF SEDIMENT BARRIERS WILL BE PERFORMED THROUGHOUT THE PROJECT LIFE WHEN DEBRIS REACHES ONE-THIRD THE FENCE HEIGHT OR AS DEEMED NECESSARY BY THE ENGINEER. SEDIMENT BARRIERS AND ACCUMULATED DEBRIS SHALL BE REMOVED AND DISPOSED OF BY THE CONTRACTOR AFTER TURF COVER HAS BEEN ESTABLISHED, UNLESS OTHER ARRANGEMENTS HAVE BEEN AGREED TO.
 3. FILTER FABRIC FOR FENCE OPTION SEDIMENT BARRIERS SHALL BE RESISTANT TO ULTRAVIOLET LIGHT. MATERIALS MAY BE SUPPLIED BY THE FOLLOWING MANUFACTURERS:

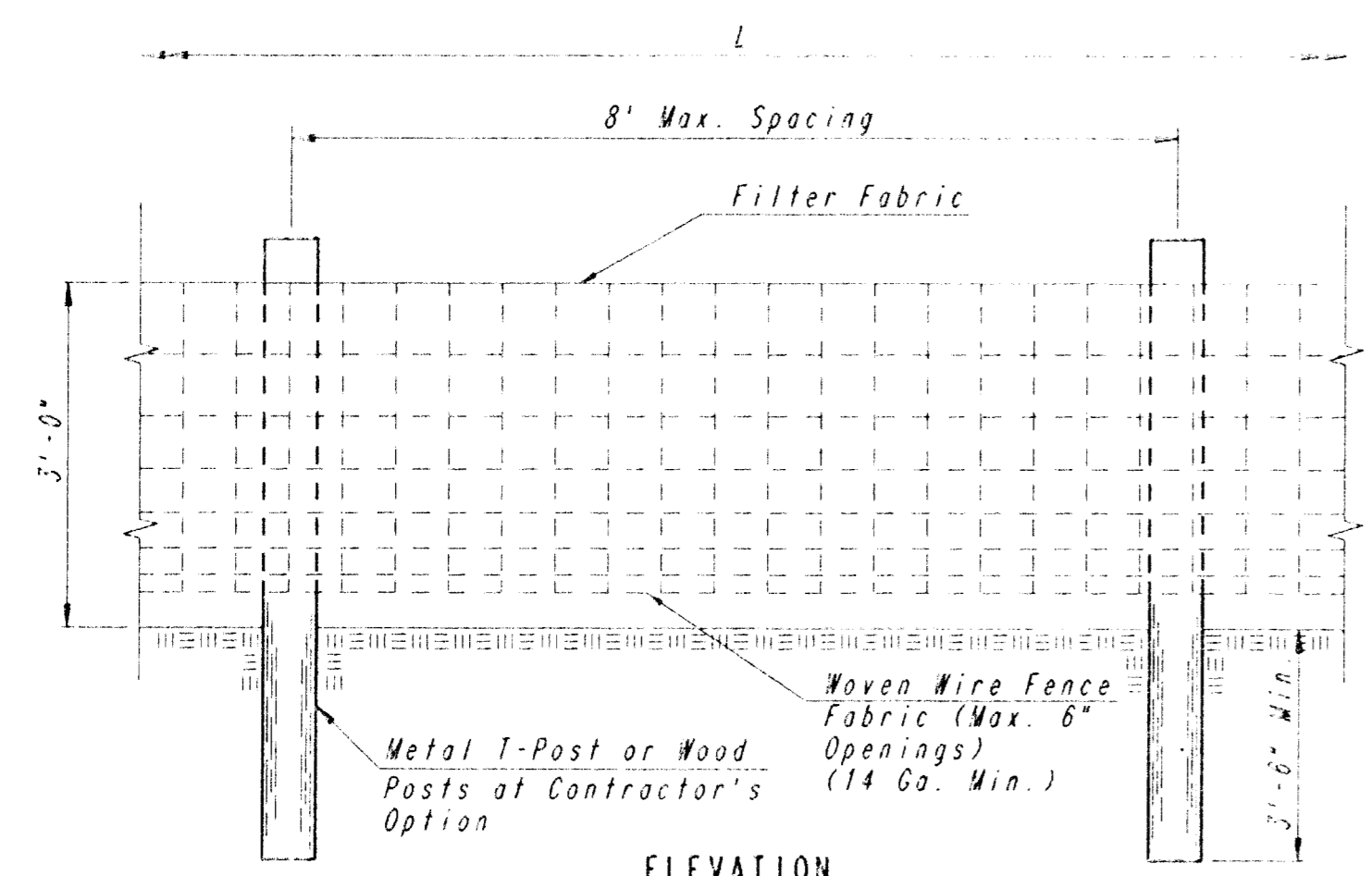
MIRAFI, INC.	-	100X
HOECHST FIBERS INDUSTRIES	-	TREVIRA 1115
EXXON	-	TYPAR 3301 W

MATERIALS SUPPLIED BY THE ABOVE NAMED MANUFACTURERS SHALL BE ACCEPTED UPON VISUAL INSPECTION BY THE ENGINEER. OTHER COMPARABLE MATERIALS MAY BE USED IF APPROVED BY THE ENGINEER.

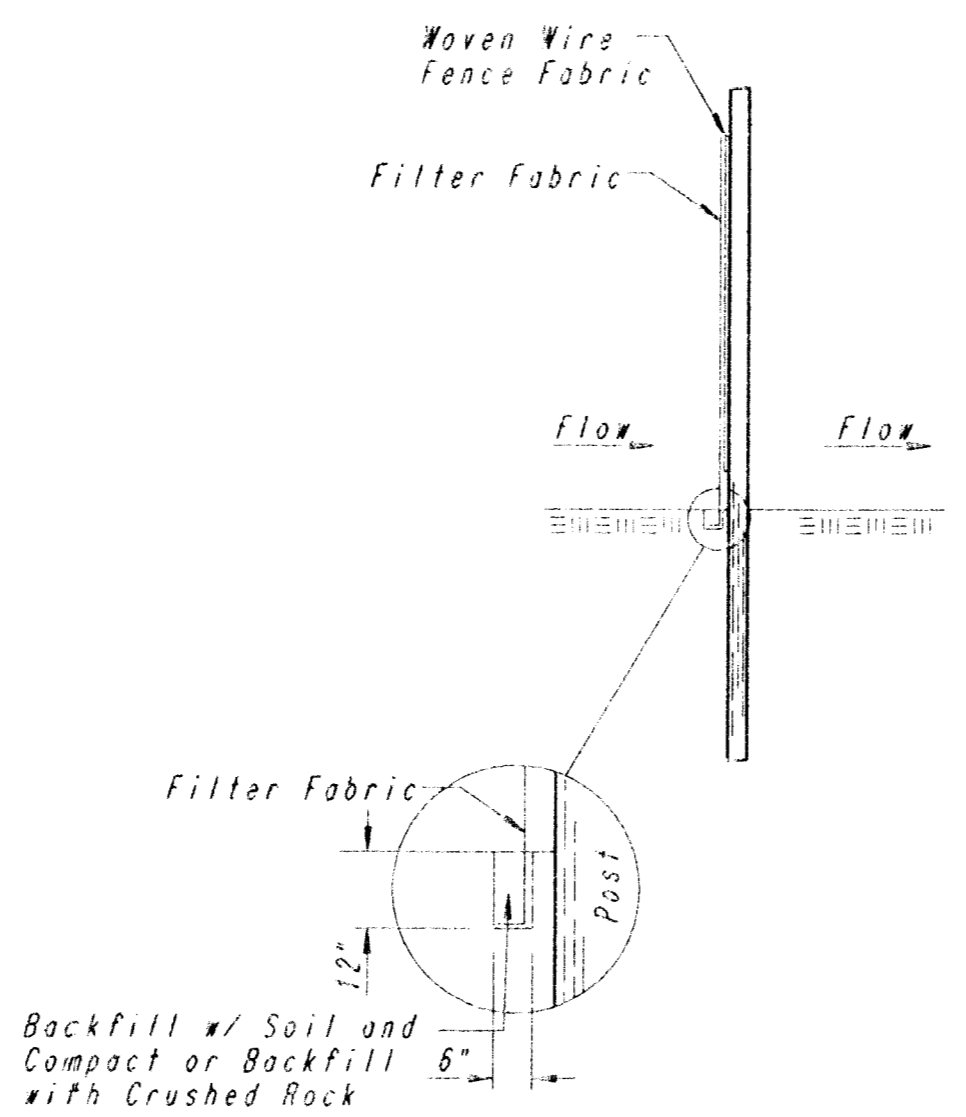
FILTER FABRIC SHALL BE ATTACHED TO FENCE FABRIC BY MEANS OF TIE WIRES OR HOG RINGS PRIOR TO ATTACHMENT OF FENCE/FABRIC COMBINATION ONTO THE POSTS.

4. BALES USED FOR SEDIMENT BARRIERS MAY BE EITHER HAY OR STRAW, PROVIDED THEY ARE SOUND AND INTACT.
5. MEASUREMENT AND PAYMENT: THE ITEM "SEDIMENT BARRIERS" SHALL BE MEASURED AND PAID FOR AT THE CONTRACT UNIT PRICE BID PER LINEAL FOOT COMPLETE AND IN PLACE. SAID PRICE SHALL BE CONSIDERED FULL COMPENSATION FOR EXCAVATION, COMPACTION, BACKFILL, SEDIMENT AND DEBRIS REMOVAL AND DISPOSAL, AND ALL MATERIALS, LABOR, TOOLS AND INCIDENTALS, NECESSARY TO COMPLETE THE WORK. RECONSTRUCTION OF SEDIMENT BARRIERS WHICH ARE DESTROYED BY WIND, FLOOD, FIRE OR BY THE ACTIONS OF THE CONTRACTOR OR OTHERS SHALL BE PERFORMED BY THE CONTRACTOR AS DIRECTED BY THE ENGINEER AT NO ADDITIONAL COSTS. WHERE ADJUSTMENTS IN QUANTITIES ARE REQUIRED BY FIELD CONDITIONS, THERE SHALL BE NO ADJUSTMENT IN UNIT PRICE.

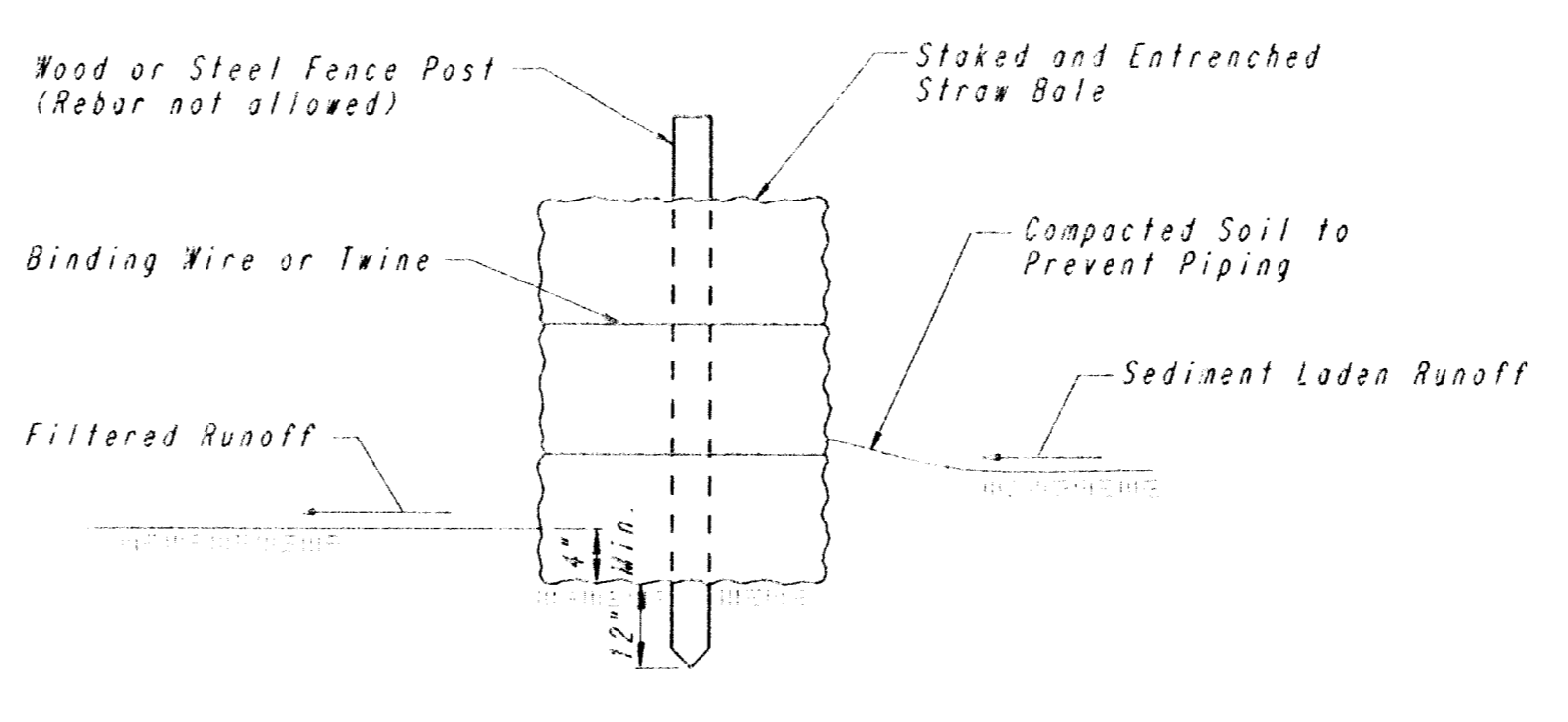
THE ITEM "TEMPORARY SEEDING AND MULCHING" SHALL BE MEASURED AND PAID FOR AT THE CONTRACT PRICE BID PER LUMP SUM.



ELEVATION
SEDIMENT BARRIER DETAILS
FENCE OPTION



ANCHOR TRENCH DETAIL



SEDIMENT BARRIER DETAIL
Hay/Straw Bale Option

PLAN	SURVEYED	DATE
NOTE BOOK PLOTTED		
ALIGNMENT CHECKED		
BY WAY CHECKED		

DRAWING NAME: 32-93695 SED BAR
 LOCATION: 451
 CENTER POINTS:
 ROTATION ANGLE:
 DATE LAST WORKED ON:
 GRAINE DUNN

FOREST LAKES
PHASE NO. 8

SEDIMENT AND EROSION CONTROL STANDARD DETAILS

PROFESSIONAL ENGINEERING CONSULTANTS, P.A.
ENGINEERS
WICHITA, KANSAS

Designed by	MWB	Checked by	
Drawn by	DTP	Date	FEB., 1994
		Job No.	93695