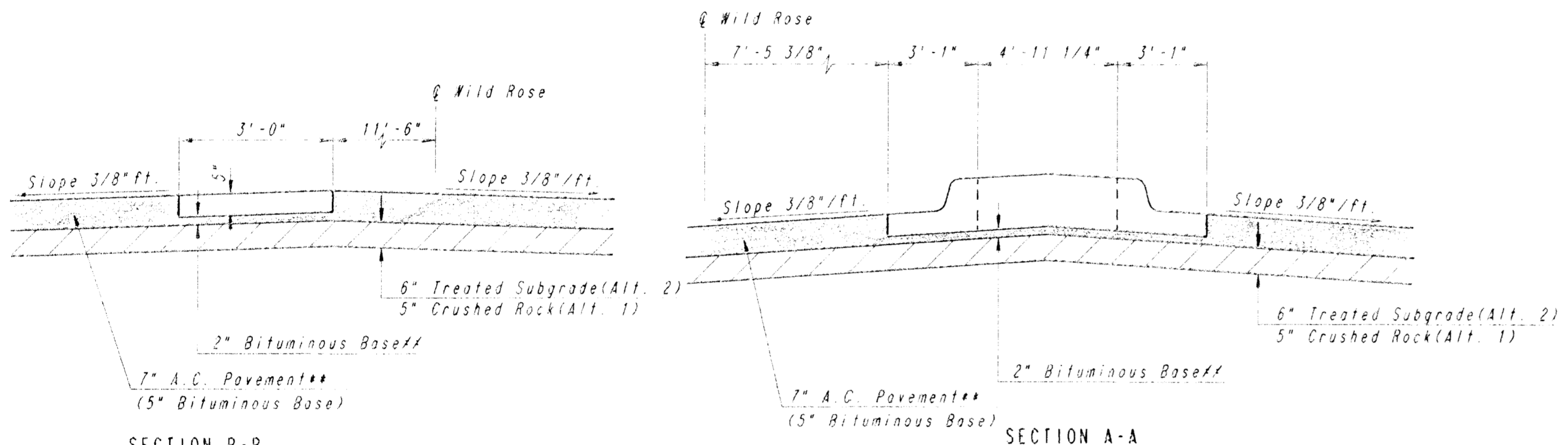


TYPICAL SECTION
Sta. 10+50.00 to Sta. 12+78.00

1 Top Soil to be subsidiary to other bid items.
 // Delete for Alt. 1
 ** 5" A.C. Pavement (5" Bit. Base) for Alternate 1
 NOTE: 2" BITUMINOUS BASE TO BE BID AS 1" 1/2" BITUMINOUS BASE.

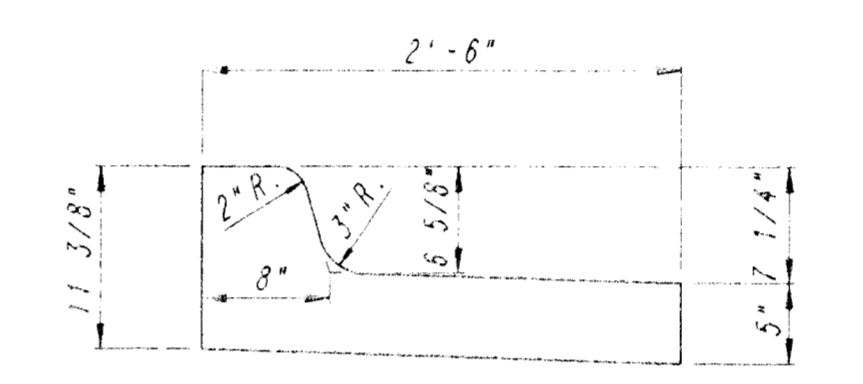
- ① Varies from Sta. 11+40 to Sta. 12+78 See Plan
- ② Varies from Sta. 10+50 to Sta. 10+61 and Sta. 11+10 to Sta. 12+78 See Plan
- ③ Median Width Varies Sta. 10+50 to Sta. 10+61 and Sta. 11+10 to Sta. 11+33.87 See Plan
Median Nose Sta. 11+33.87 to Sta. 11+38.87
No Median Sta. 11+38.87 to Sta. 12+78
- ④ Varies Sta. 10+50 to Sta. 10+61 and Sta. 11+10 to Sta. 12+44 See Plan
- ⑤ 0'-0" from Sta. 11+38.87 to Sta. 12+78
- ⑥ Sta. 10+50 to Sta. 11+38.87



SECTION B-B

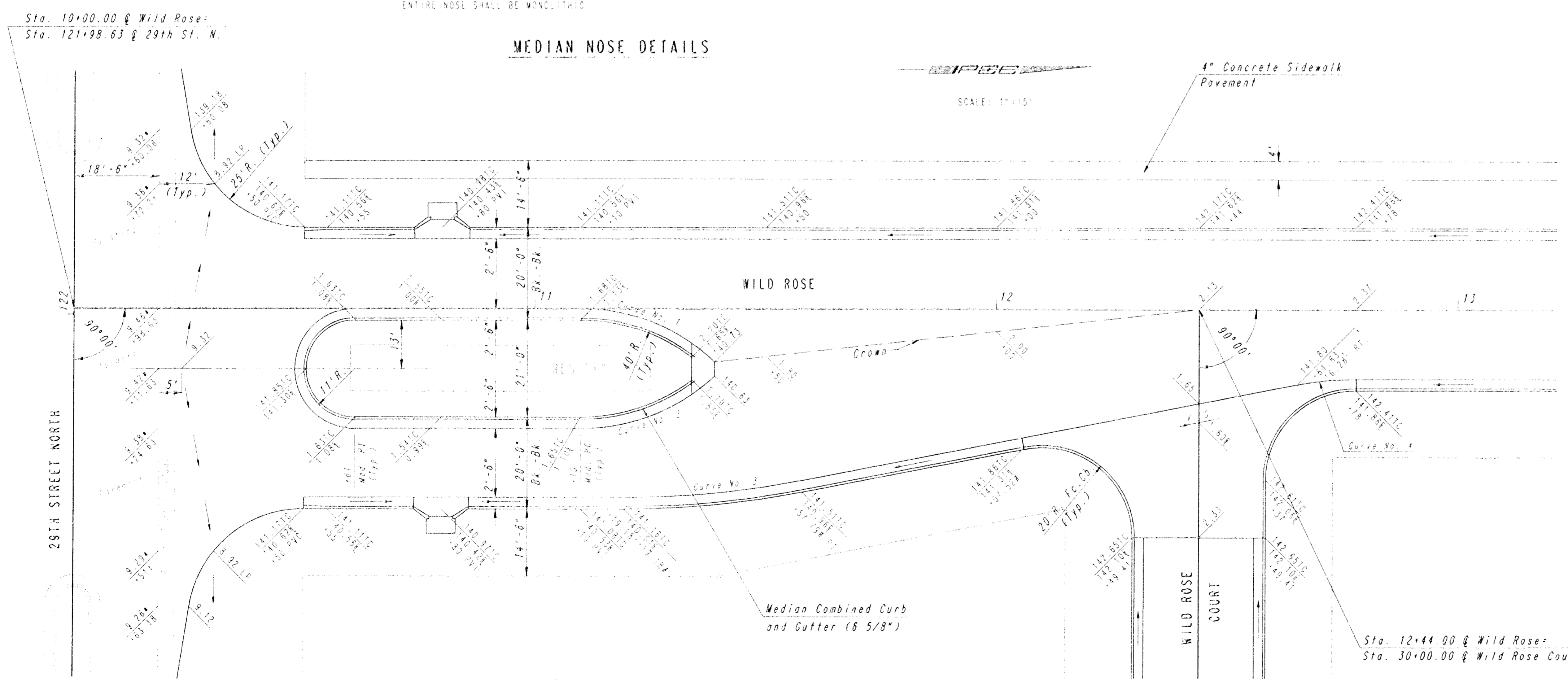
SECTION A-A

NOTE: MEDIAN NOSE SHALL BE PAID FOR AS 12 RB L.V. FT. "MEDIAN COMBINED CURB AND GUTTER" SPECIAL SHARPING AND ADDITIONAL CONCRETE REQUIRED TO TRANSITION FROM SECTION A-A TO SECTION B-B SHALL BE CONSIDERED INCIDENTAL TO "MEDIAN COMBINED CURB AND GUTTER" ENTIRE NOSE SHALL BE MONOLITHIC



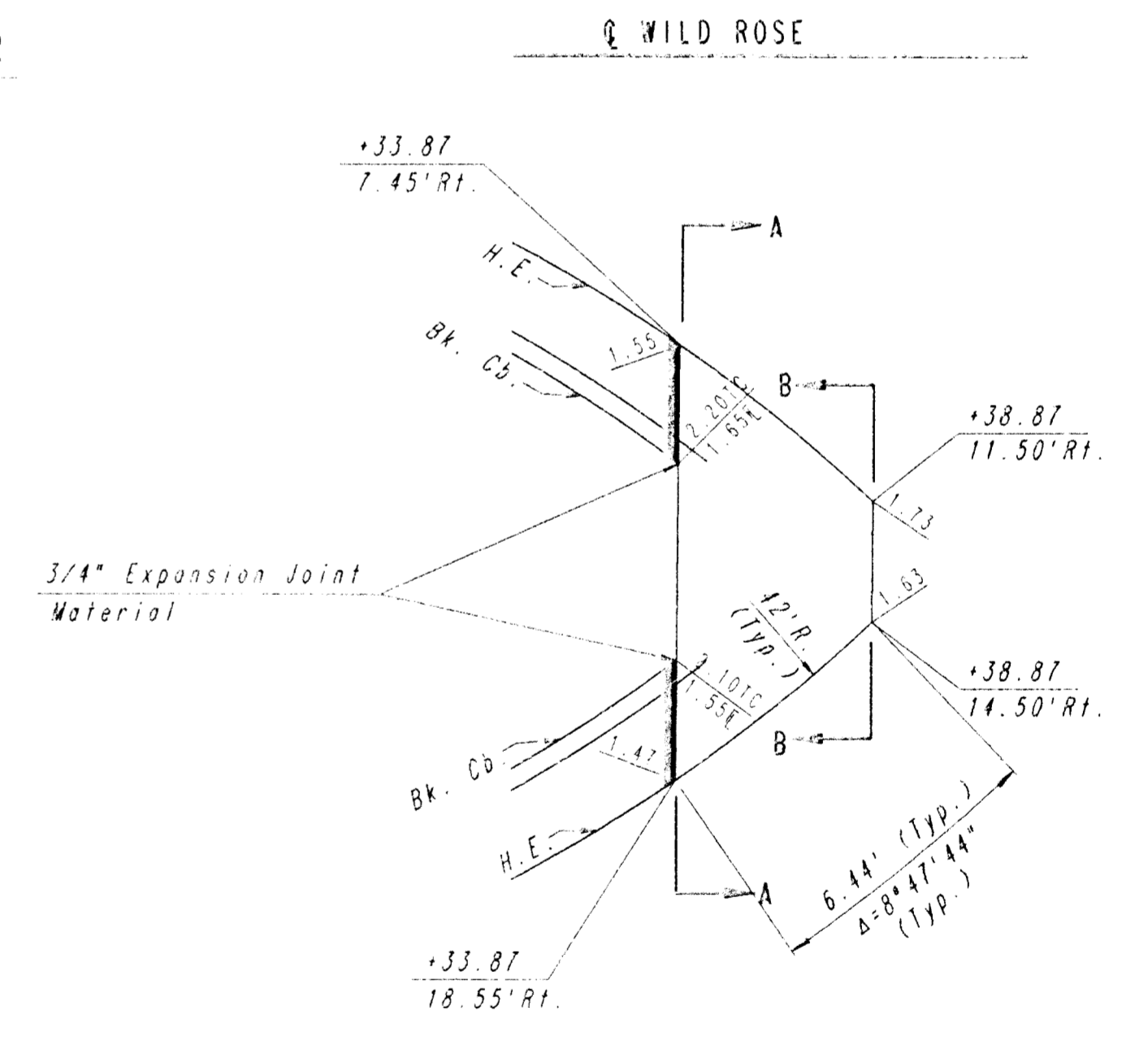
MEDIAN COMBINED CURB & GUTTER
(6 5/8")

PLAN	SURVEYED	BY	DATE
NOTE BOOK PLOTTED			
ALIGNMENT CHECKED			
RT. OF WAY CHECKED			



MEDIAN NOSE DETAILS

SCALE: 1" = 15'



PLAN

* RIGHT FACE OF CURB STATION
 * MATCH EXISTING

FOREST LAKES
 PHASE NO. 7
**WILD ROSE
 ENTRANCE DETAILS**
 PROFESSIONAL ENGINEERING CONSULTANTS, P.A.
 ENGINEERS
 WICHITA, KANSAS

Designed by	WMB, GDD	Checked by	
Drawn by	DEP	Date	JAN., 1994
		Job No.	93694

DRAWING NAME: 32-85694 WILD ROSE ENT
 LOCATION: 04 4884
 CENTER COORDINATES:
 ROTATION ANGLE:
 DATE LAST WORKED ON:
 DWG. NO. 000A