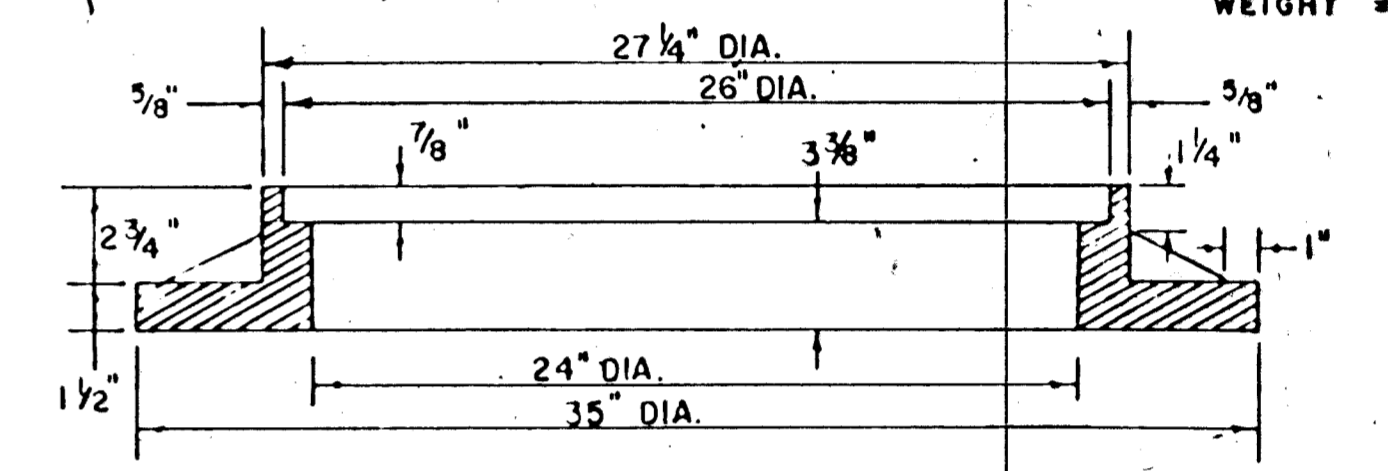
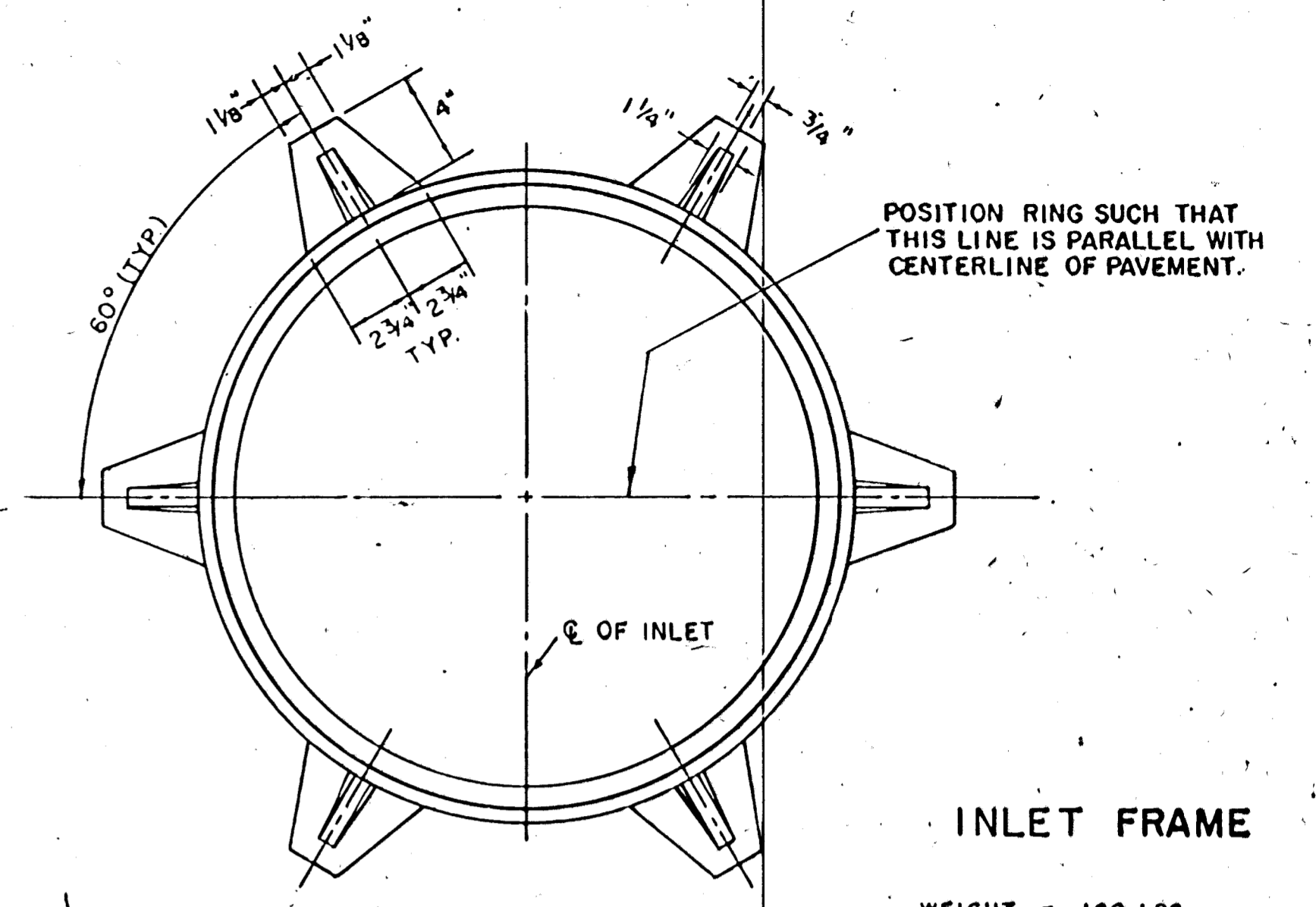
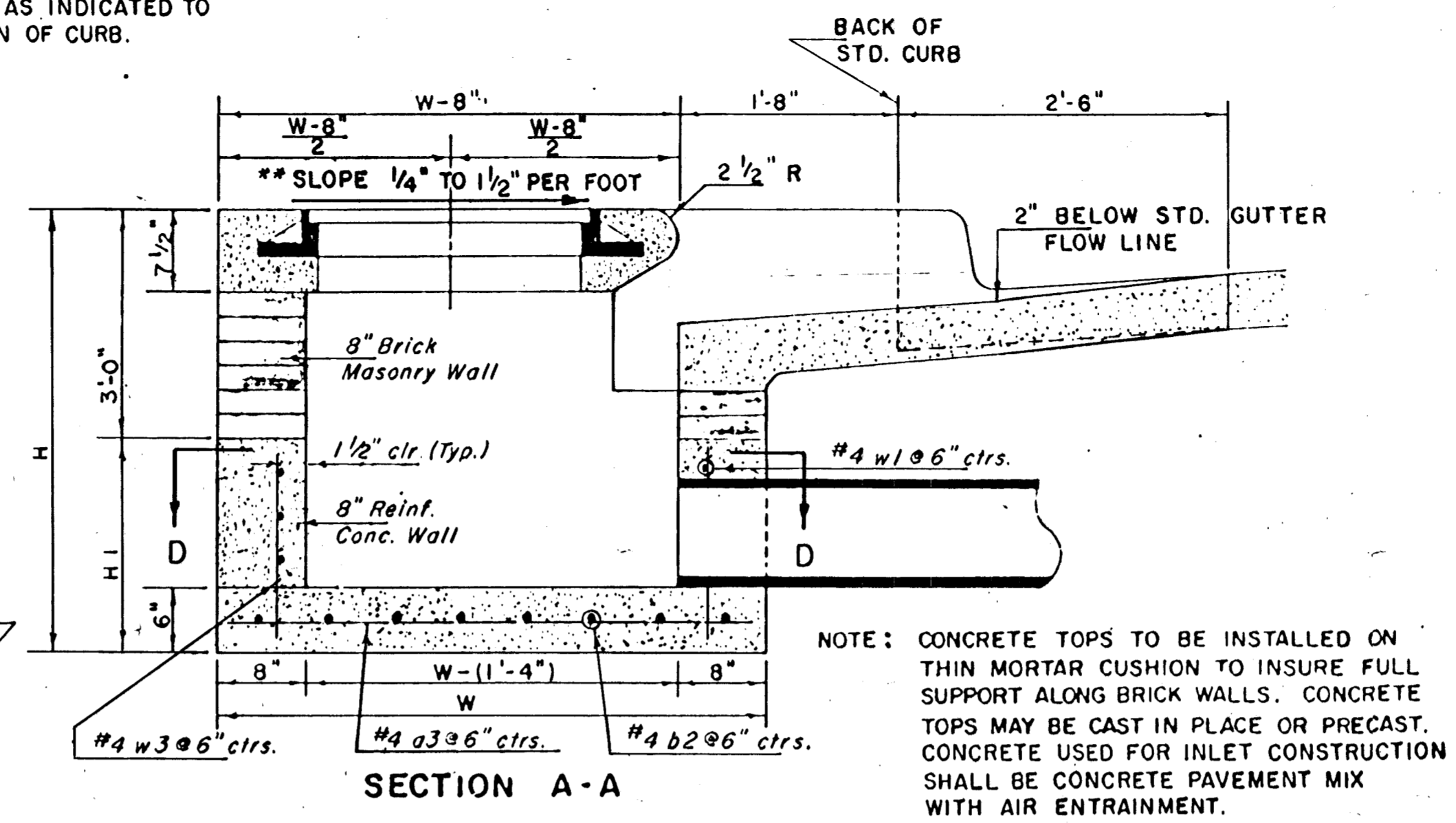
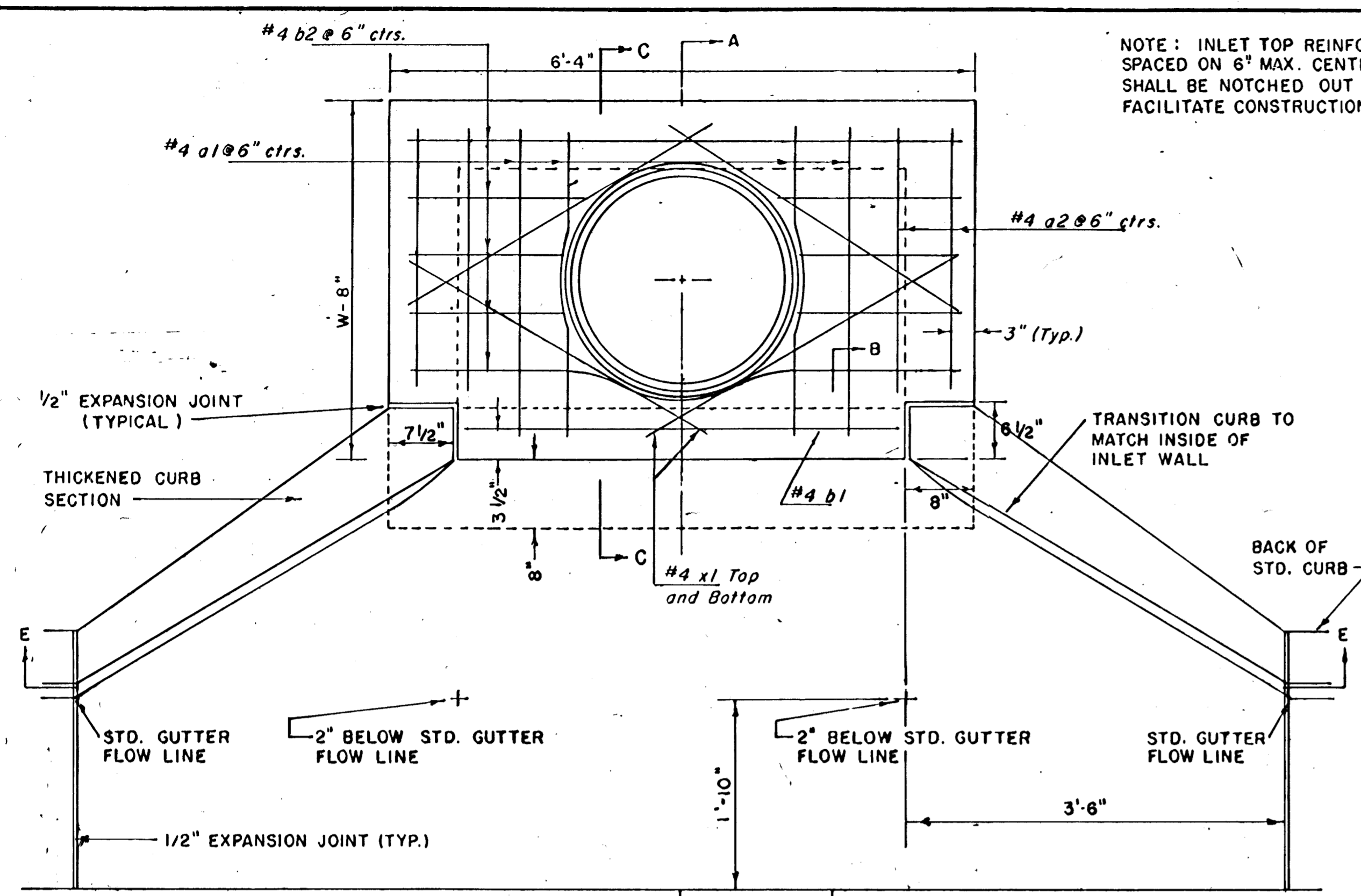


NOTE: INLET TOP REINFORCING SHALL BE SPACED ON 6" MAX. CENTERS. INLET LIDS SHALL BE NOTCHED OUT AS INDICATED TO FACILITATE CONSTRUCTION OF CURB.



SEE CITY OF WICHITA STANDARD MANHOLE FRAME AND COVER DETAIL SHEET FOR COVER DETAILS TO BE USED WITH INLET FRAME.

NOTE: CONTRACTOR SHALL HAVE THE OPTION OF CONSTRUCTING 8" BRICK MASONRY WALLS BETWEEN THE CONCRETE INLET BASE AND TOP ON THIS INLET WHEN W = 6'-4" AND H = 7'-0" OR LESS.

ADDITIONAL CURB AND GUTTER CONSTRUCTION NECESSARY TO CONNECT SET-BACK INLET TO PAVEMENT WILL BE PAID FOR AT THE UNIT PRICE BID FOR EACH INLET HOOKUP.

INLET INVERT SHALL BE SHAPED WITH 8 SACK SAND MIX CONCRETE TO CREATE FLOW CHANNELS AND TO INCREASE HYDRAULIC EFFICIENCY SUCH THAT THE INLET WILL BE SELF CLEANING BETWEEN ALL INLET AND/OR OUTLET PIPES.

THE ENDS OF ALL PIPES INSTALLED IN INLETS SHALL BE CUT OFF FLUSH WITH THE INSIDE FACE OF THE INLET WALL.

\*\*NOTE: Slope of Inlet Tops to match Sidewalk or Parking Slopes within Limits indicated.

STANDARD CURB INLET PRECAST TOPS

W	PRE-CAST TOP SIZE	PIPE SIZE	CU. YD. CONC.
4' 4"	3' 8" x 6' 4" x 7 1/2"	21" & SMALLER	0.38 ±
5' 4"	4' 8" x 6' 4" x 7 1/2"	24" & 30"	0.51 ±
6' 4"	5' 8" x 6' 4" x 7 1/2"	36" & 42"	0.64 ±
7' 4"	6' 8" x 6' 4" x 7 1/2"	48" & 54"	0.77 ±
8' 4"	7' 8" x 6' 4" x 7 1/2"	60" & 66"	0.90 ±

PRECAST SLAB AND FLOOR REINFORCING

Mark	Size	No.	Length	No.	Length	No.	Length	No.	Length	No.	Length
a1	#4	6	6'-7"	6	8'-7"	6	10'-7"	6	12'-7"	6	14'-7"
a2	#4	4	6'-0"	4	8'-0"	4	10'-0"	4	12'-0"	4	14'-0"
a3	#4	13	4'-1"	13	5'-1"	13	6'-1"	13	7'-1"	13	8'-1"
b1	#4	1	4'-9"	1	4'-9"	1	4'-9"	1	4'-9"	1	4'-9"
b2	#4	23	6'-1"	29	6'-1"	35	6'-1"	41	6'-1"	47	6'-1"
x1	#4	8	3'-10"	8	4'-2"	8	4'-6"	8	4'-10"	8	5'-2"

WALL REINFORCING

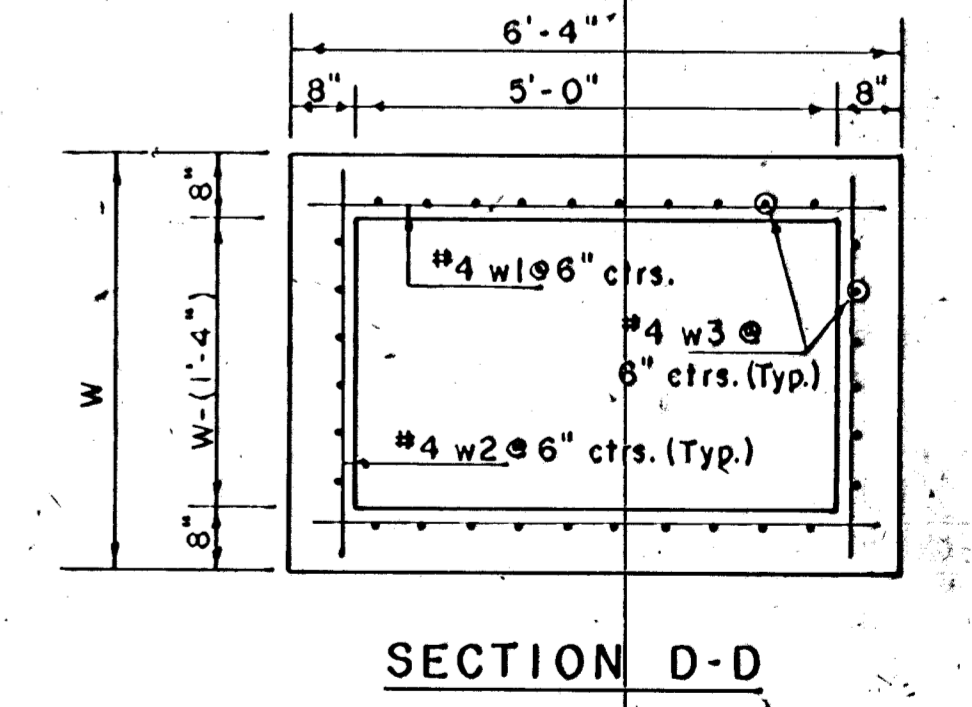
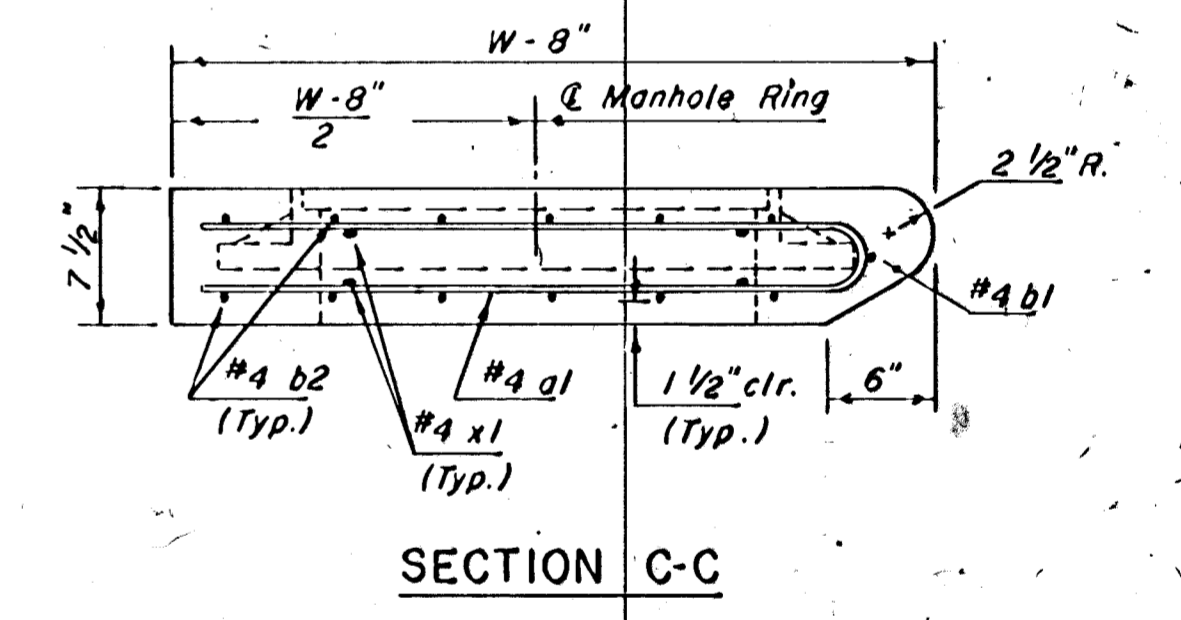
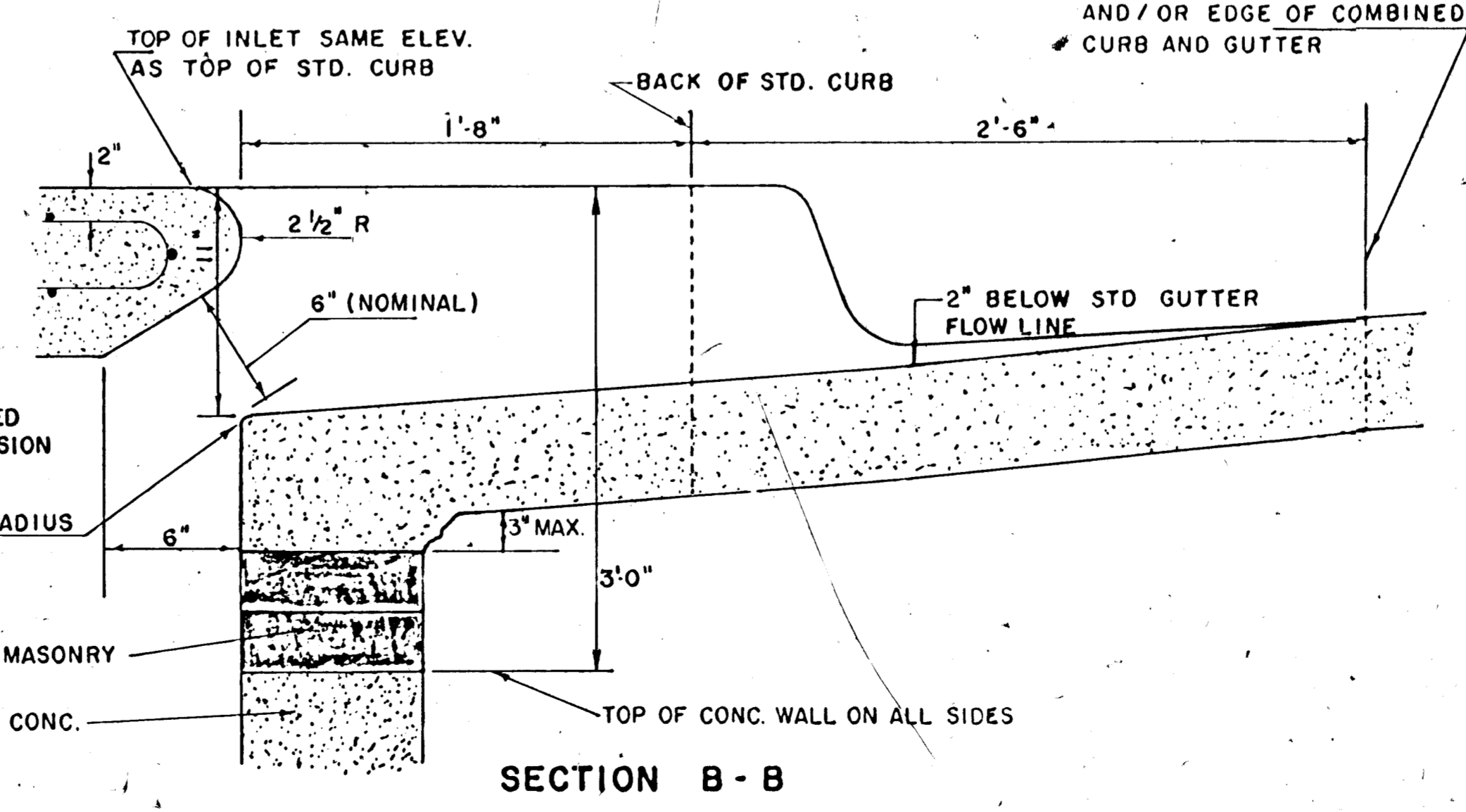
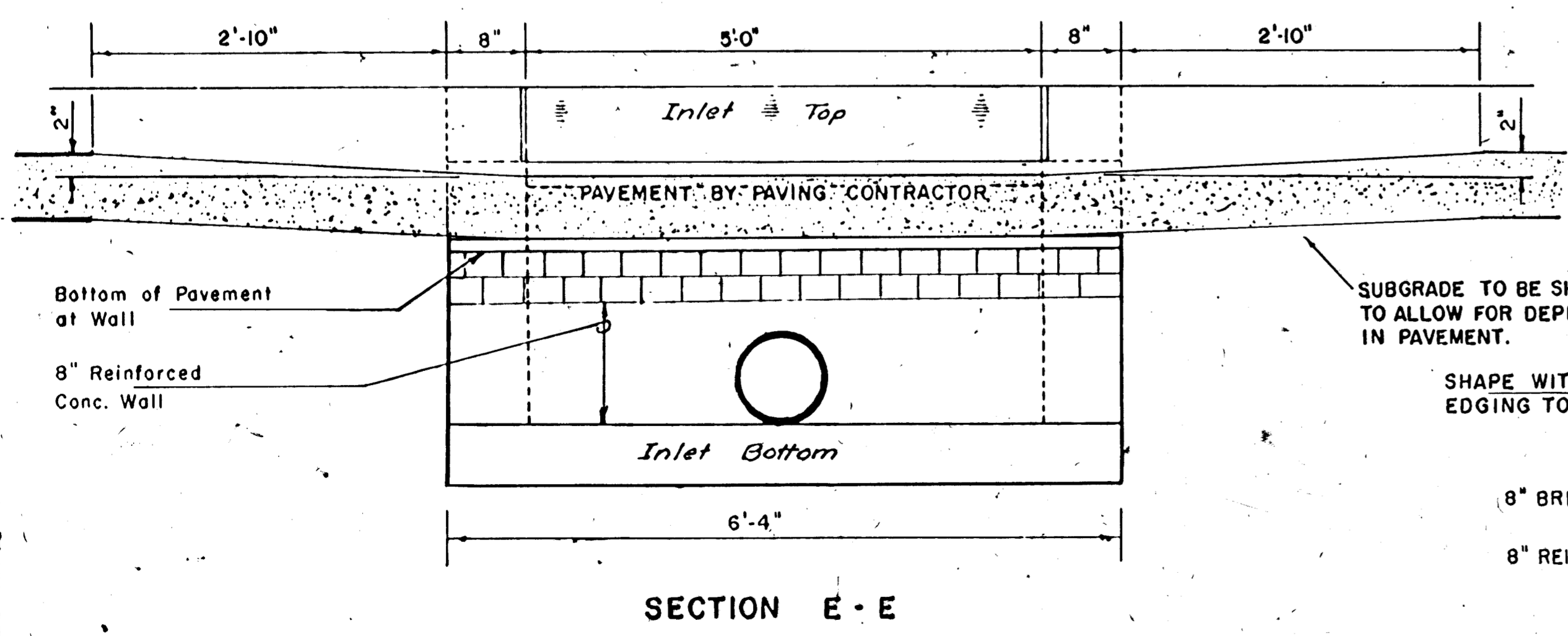
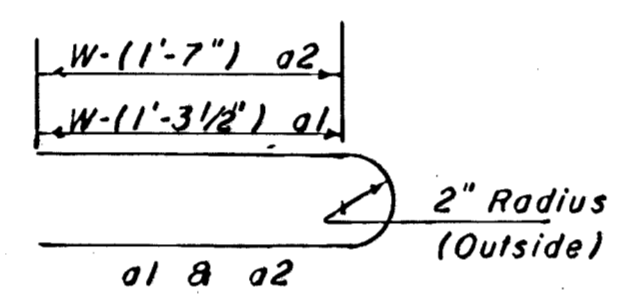
Mark	Size	No.	Length	No.	Length	No.	Length	No.	Length	No.	Length
w1	#4	1	6'-1"	1	6'-1"	1	6'-1"	1	6'-1"	1	6'-1"
w2	#4	1	4'-1"	1	5'-1"	1	6'-1"	1	7'-1"	1	8'-1"
w3	#4	32	2	36	2	40	2	44	2	48	2

\* Field bend or cut Reinforcing as required for clearance.

① 4(HI-12") ; (HI-12") Round down to nearest 0.5'

② HI-3"

BENDING DIAGRAM



REVISED 11-30-1988  
REVISED 12-21-1984  
Revised 2-16-1989

**DETAIL STANDARD TYPE IA CURB INLET**  
CITY OF WICHITA, KANSAS  
INLET OPENING = 6" x 5' 0"

JUNE 1984